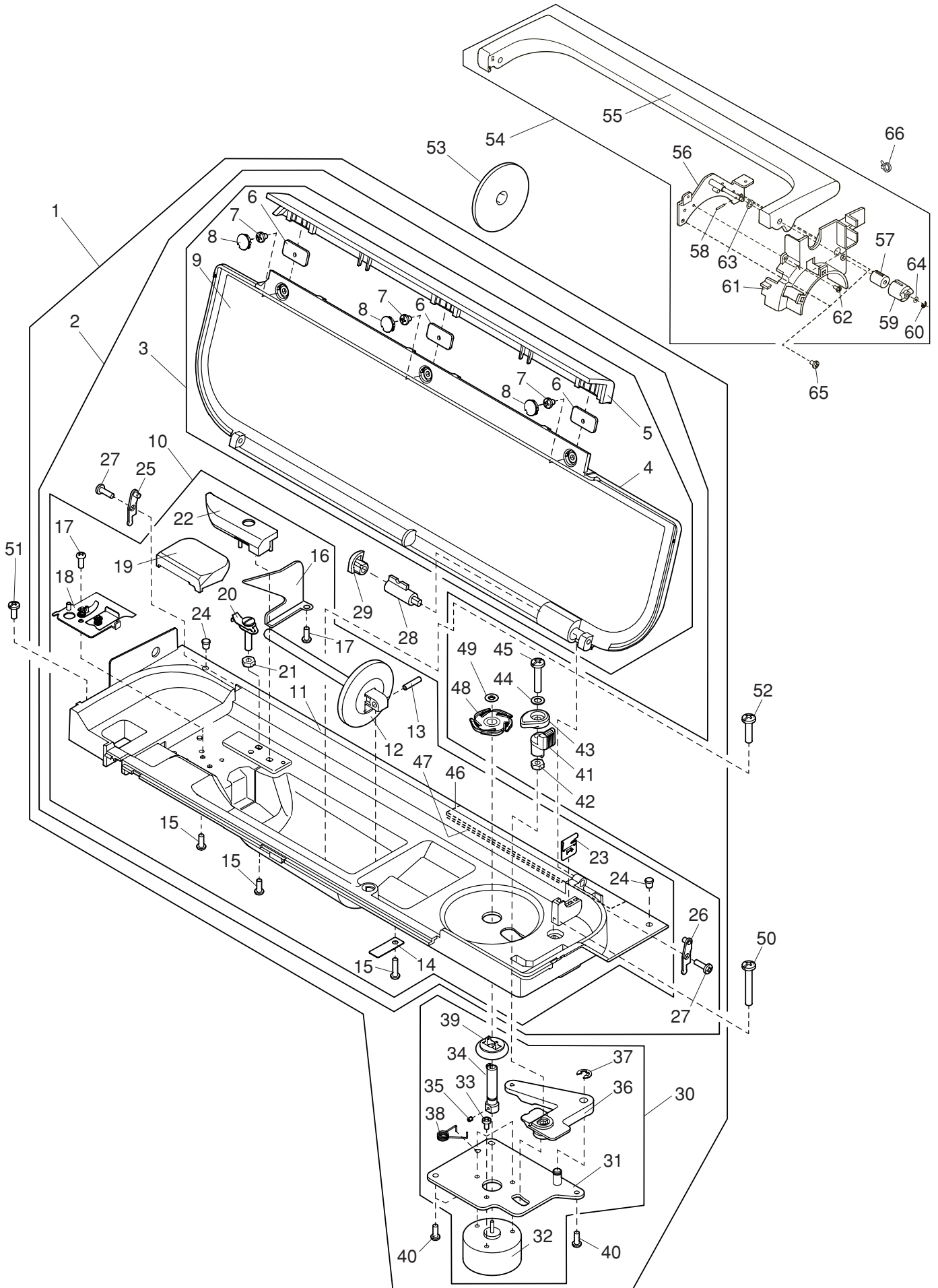


PARTS LIST

MODEL: MC14000

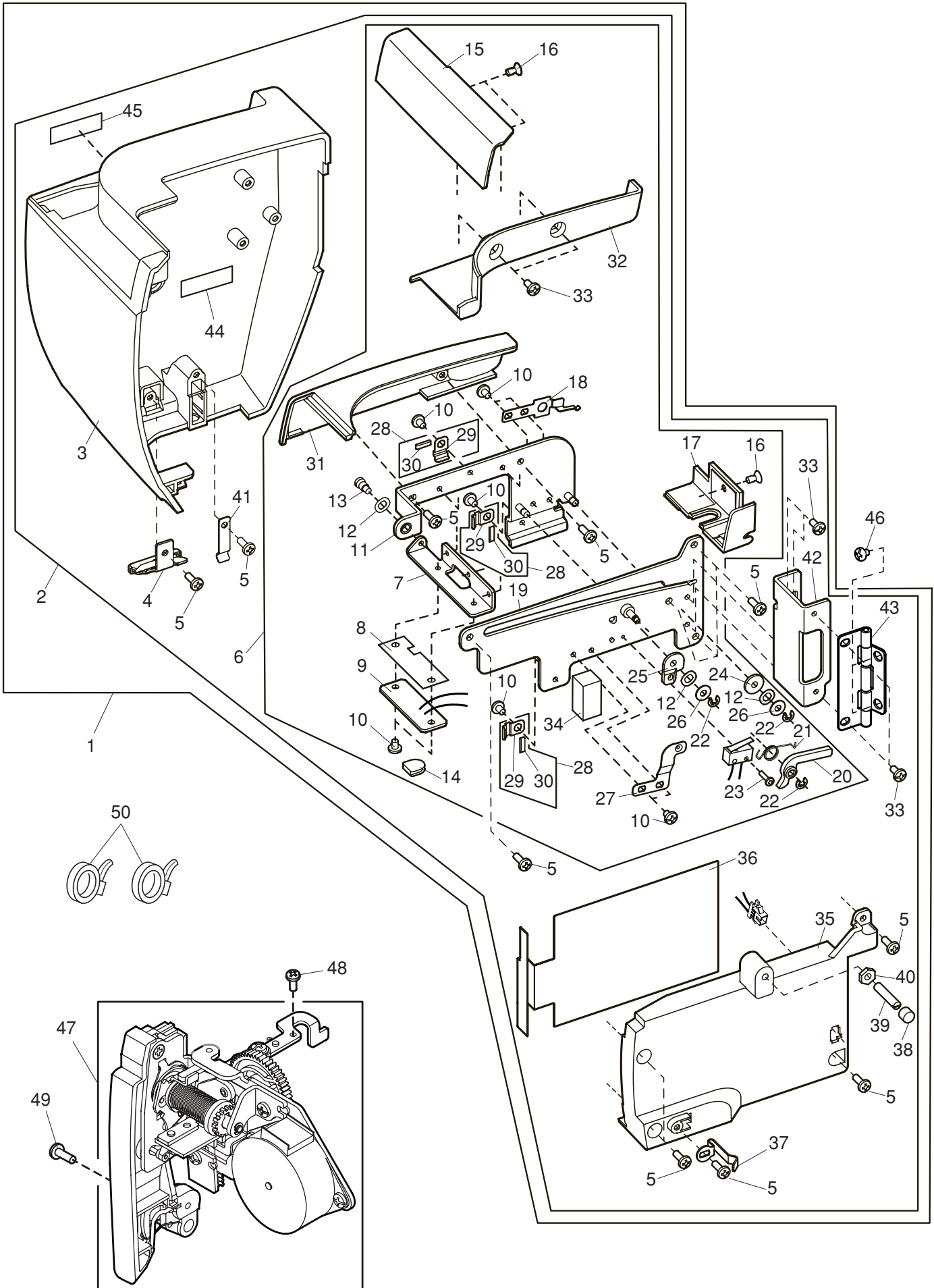
PARTS LIST



PARTS LIST

KEY NO.	PARTS NO.	DESCRIPTION
1	862663106	Top cover (all unit)
2	862664107	Top cover (unit)
3	862609300	Top cover (unit)
4	862011000	Top cover 1
5	862012A01	Top cover 2
6	862013002	Top cover washer
7	000101116	Setscrew 3x4
8	862111001	Cap
9	862146A03	Quick reference chart
10	862665005	Top cover body (unit)
11	862154006	Top cover body
12	859052003	Spool pin
13	822017002	Spool pin shaft
14	822018003	Spool pin spring
15	000107204	Setscrew 3x12 (B)
16	862160005	Thread guide plate
17	000107307	Setscrew 3x8 (B)
18	862661001	Thread guide (unit)
19	862155007	Thread guide cover (unit)
20	862535005	Bobbin winder thread guide (unit)
21	000160102	Adjustable lock nut 4
22	862660000	Bobbin winder thread guide cover
23	830505007	Thread cutter (unit)
24	859054005	Carrying handle supporter
25	858023002	Top cover hinge (right)
26	858023105	Top cover hinge (left)
27	000161206	Setscrew 3x10 (B)
28	809519101	Damper (unit)
29	862019008	Damper cap
30	862613008	Bobbin winder (unit)
31	862020002	Bobbin winder base plate
32	862508009	Motor (unit)
33	000270003	Setscrew 2.6x5
34	862509000	Bobbin winder shaft (unit)
35	000110602	Hexagonal socket screw 2x3 (WP)
36	862022004	Bobbin winder lever
37	000002507	Snap ring E-4
38	862025007	Bobbin winder spring
39	862615000	Bobbin winder rubber
40	000120203	Setscrew 3x8 (B)
41	862127000	Bobbin winder lever arm
42	000062402	Nut 4-2-7
43	846177108	Bobbin winder stopper
44	000071024	Washer 4
45	000104119	Setscrew 4x20
46	862141000	Printed circuit board U1 shielding plate
47	862140102	Gasket
48	862647001	Bobbin thread cutter (unit)
49	000014306	Snap ring CS-3
50	000080901	Setscrew 4x25
51	000066705	Setscrew 3x8
52	000170507	Setscrew 4x12
53	822020503	Spool holder (large)
54	862653000	Carrying handle (unit)
55	862027009	Carrying handle
56	862107004	Carrying handle supporter (rear)
57	862534004	Damper (2V9G)
58	000005809	Spring pin 1.6 x 12 (K)
59	862143002	Damper holder
60	000021116	Snap ring E-3
61	862108005	Belt guard
62	000078320	Setscrew 3x6
63	000129903	Washer 4
64	000133209	Washer 6
65	000081005	Setscrew 4x8
66	000053307	Code binder

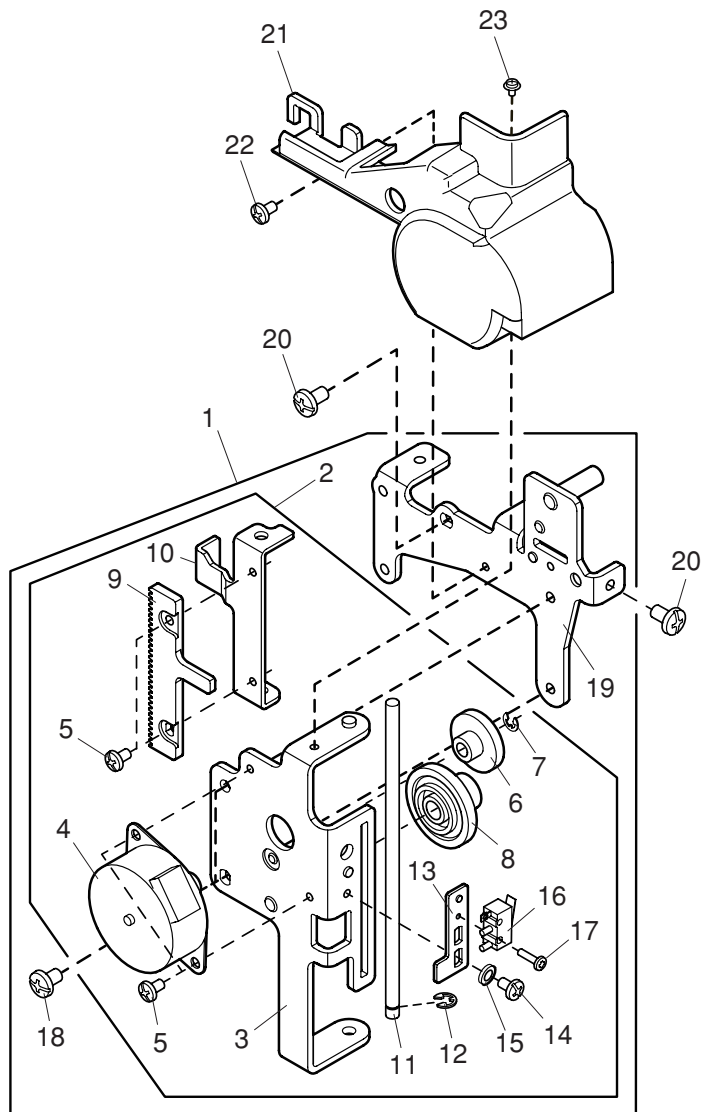
PARTS LIST



PARTS LIST

KEY NO.	PARTS NO.	DESCRIPTION
1	862645308	Face plate (unit) (U.S.A.)
	862645401	Face plate (unit) (Canada)
	862645504	Face plate (unit) (Australia) (UK) (Continental Europe)
2	862616104	Face plate (unit)
3	862028103	Face plate
4	832508006	Thread cutter (unit)
5	000120203	Setscrew 3x8 (B)
6	862617105	Face cover lamp (unit)
7	862029001	Board L3 set plate
8	862142001	Insulation sheet (for P.C.B L3)
9	859505109	Printed circuit board L3 (unit) (with microswitch and connector)
10	000101116	Setscrew 3x4
11	862030005	Lamp arm
12	000116103	Washer 4
13	859062006	Setscrew
14	859060004	Lamp cover
15	862031A01	Face plate 2
16	000102508	Setscrew 3x6
17	862032018	Face plate 3
18	862033008	Index spring
19	862034009	Face cover lamp guide plate
20	859225009	Lever
21	862035000	Lever spring
22	000001207	Snap ring E-2.5
23	000102900	Setscrew 2x8
24	303071000	Ring
25	862131007	Ring guide
26	000070104	Washer 3
27	862130006	Click spring
28	862618003	Cord guide (unit)
29	862036001	Cord guide
30	850225002	PVC tube
31	862037013	Face plate 4
32	862038014	Face plate 5
33	000078319	Setscrew 3x6
34	862140009	Gasket
35	862039004	Face plate 6
36	862139005	Face plate shielding sheet
37	850013005	Face plate spring
38	685042005	Supporter stopper
39	000082800	Setscrew
40	000160102	Adjustable lock nut 4
41	859233000	Magnifier fixing plate
42	862041009	Hinge set plate
43	851503103	Hinge (unit)
44	830312016	Caution sticker (U.S.A.)
	100083000	Caution sticker (Canada)
45	100517008	Caution sticker (Canada)
46	000081119	Setscrew 4x6
47	862662002	Thread tension (unit)
48	000081005	Setscrew 4x8
49	000101703	Setscrew 4x12
50	000053307	Code binder

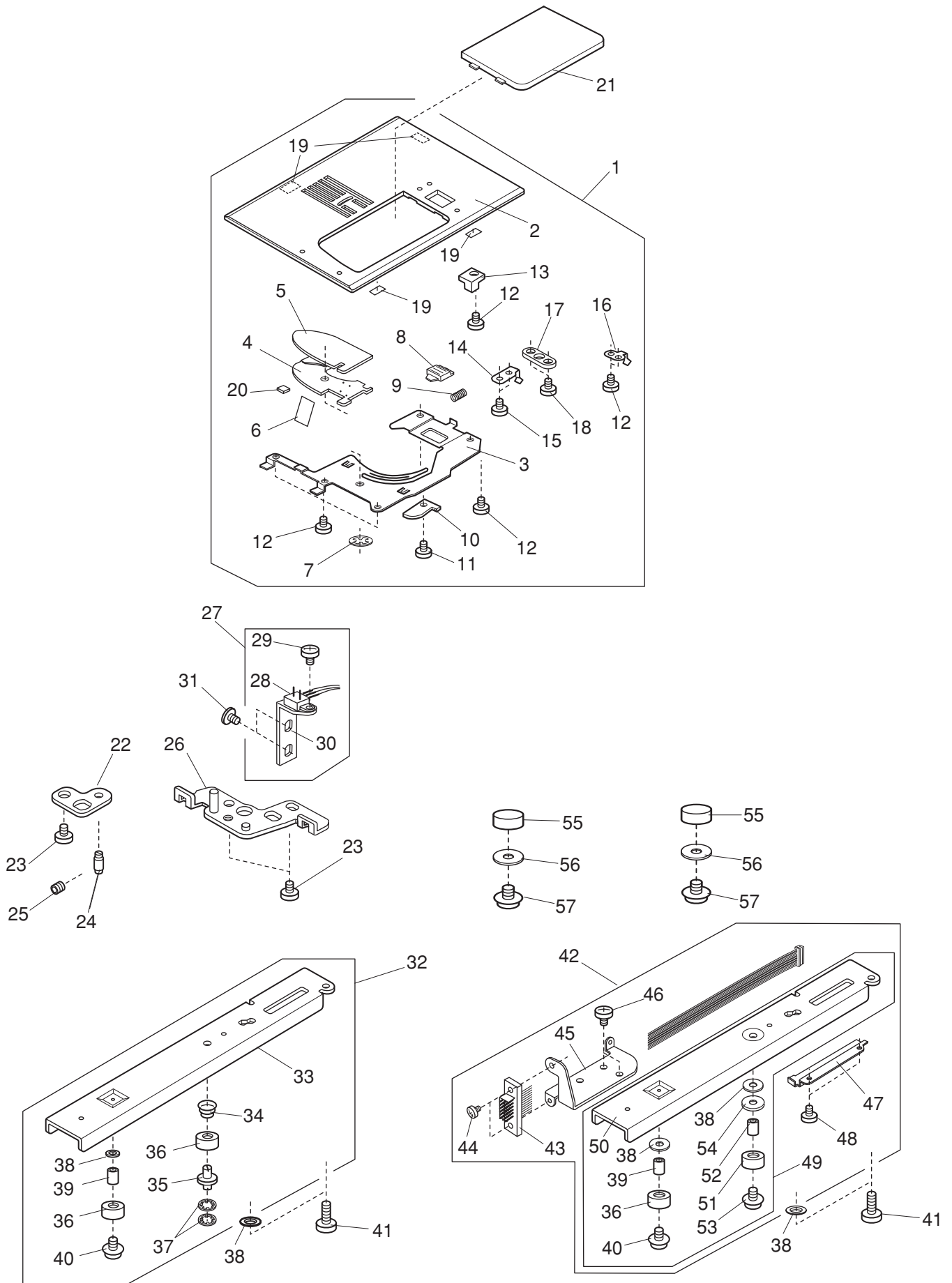
PARTS LIST



PARTS LIST

KEY NO.	PARTS NO.	DESCRIPTION
1	862652102	Threader plate (all unit)
2	862622103	Threader plate (unit)
3	862046004	Threader plate
4	808509301	Motor (unit)
5	000101116	Setscrew 3x4
6	862047005	Gear
7	000001207	Snap ring E-2.5
8	862048006	Pinion
9	862049007	Rack
10	862050001	Threader guide plate
11	862051002	Threader shaft
12	000002116	Snap ring E-3
13	862052003	Switch set plate
14	000103808	Setscrew 3x5
15	000070104	Washer 3
16	850507311	Switch (unit)
17	000102900	Setscrew 2x8
18	000101404	Setscrew 4x6
19	862042000	Carrying handle supporter (front)
20	000081005	Setscrew 4x8
21	862053004	Motor cover
22	000078319	Setscrew 3x6
23	000114710	Setscrew TP 3x6

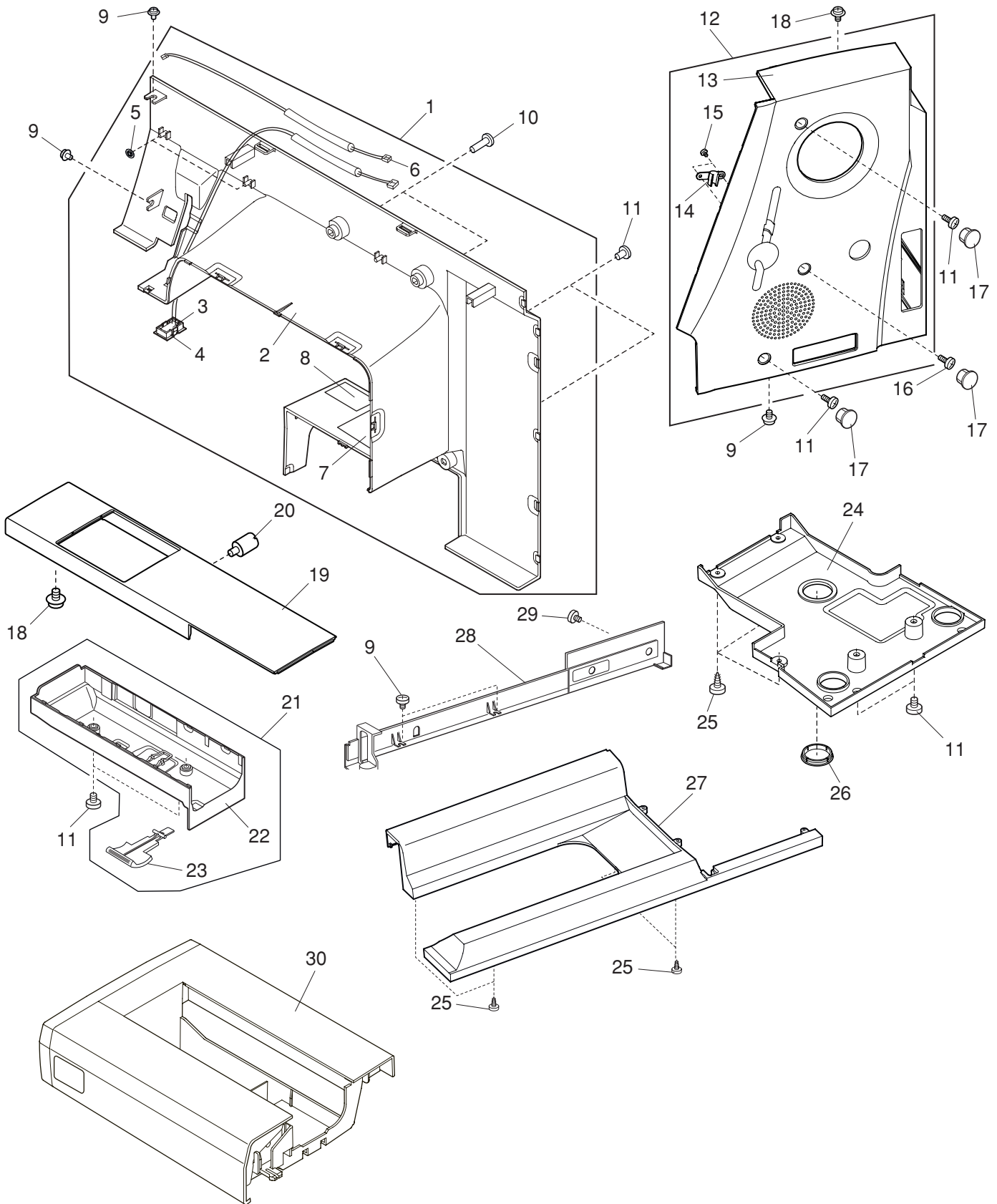
PARTS LIST



PARTS LIST

KEY NO.	PARTS NO.	DESCRIPTION
1	861606108	Needle plate (unit)
2	861013010	Needle plate
3	861014000	Hook cover plate supporter
4	809134005	Hook cover plate supporter base
5	809135006	Guide holder
6	809137008	Cutter
7	000014306	Snap ring CS-3
8	825016000	Hook cover plate release button
9	825017001	Spring
10	809044100	Rotation stopper
11	000097613	Setscrew 2x4
12	820374004	Setscrew 2x2.3
13	859046004	Needle plate sensor block
14	859047016	Spring
15	000169709	Setscrew 2x2.3
16	859245005	Spring 2
17	859271000	Needle plate supporter
18	000102807	Setscrew 2x4
19	859272104	Rubber sticker
20	861152001	Felt
21	809136100	Hook cover plate
22	860003025	Needle plate nut set plate
23	810220106	Setscrew
24	859270009	Needle plate positioning pin
25	000111201	Hexagonal socket screw 4x4
26	859247018	Needle plate adjusting plate
27	859671004	Needle plate sensor (unit)
28	859524001	Switch (unit)
29	755096004	Setscrew
30	859246006	Switch set plate
31	000193001	Setscrew TP 4x6
32	858601011	Arm sole (front cover side) (unit)
33	858002005	Arm sole
34	858162004	Spring
35	820350004	Adjusting screw
36	605074008	Rubber foot
37	000014409	Snap ring CS-8
38	000133106	Washer 6
39	000141107	Bushing 6x3
40	000119106	Setscrew TP 4x10
41	000066808	Setscrew 6x14
42	859645009	Connector (unit)
43	859519003	Connector
44	000080406	Setscrew 3x10
45	859140010	Connector set plate
46	000081005	Setscrew 4x8
47	859249009	Cord cover
48	000103808	Setscrew 3x5
49	858601206	Arm sole (rear cover side) (unit)
50	858002201	Arm sole
51	797363016	Rubber foot
52	000206709	Bushing 4x7
53	000115700	Setscrew TP 4x10
54	858149005	Spacer
55	797363016	Rubber foot
56	000070300	Washer 5
57	784169009	Rubber foot setscrew

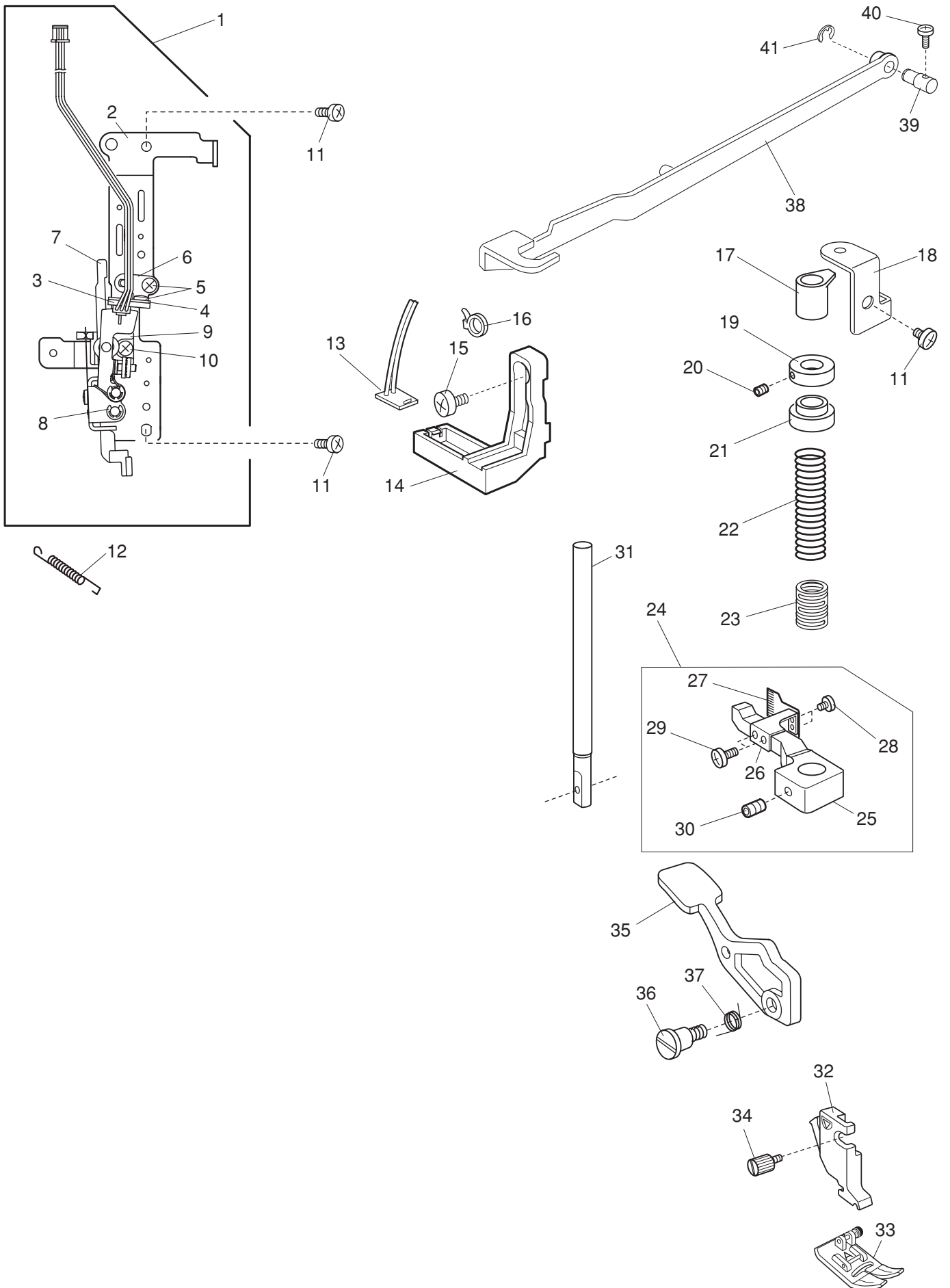
PARTS LIST



PARTS LIST

KEY NO.	PARTS NO.	DESCRIPTION
1	859615309	Rear cover (unit)
2	859041102	Rear cover
3	859525600	Printed circuit board L2 (unit)
4	860167006	Lamp cover 2
5	000014306	Snap ring CS-3
6	859534107	Cable 2 pin [U1-L3]
7	859274003	Embroidery unit sticker
8	859263009	Carriage sticker
9	000115205	Setscrew TP 4x6
10	000104108	Setscrew 4x20
11	000081005	Setscrew 4x8
12	862659006	Belt cover (unit)
13	862153A01	Belt cover
14	862112002	Clip
15	000120203	Setscrew 3x8 (B)
16	000171302	Setscrew 4x8 (B)
17	745033002	Cap
18	000114710	Setscrew TP 3x6
19	862150002	Free arm cover
20	858165100	Pin
21	859614009	Bed cover (unit)
22	859039004	Bed cover
23	859040008	Needle plate release lever
24	862008004	Base plate
25	000161206	Setscrew 3x10 (B)
26	626045407	Cap
27	862007106	Base cover
28	859036207	Cover
29	810220003	Setscrew
30	862506007	Extension table (unit)

PARTS LIST



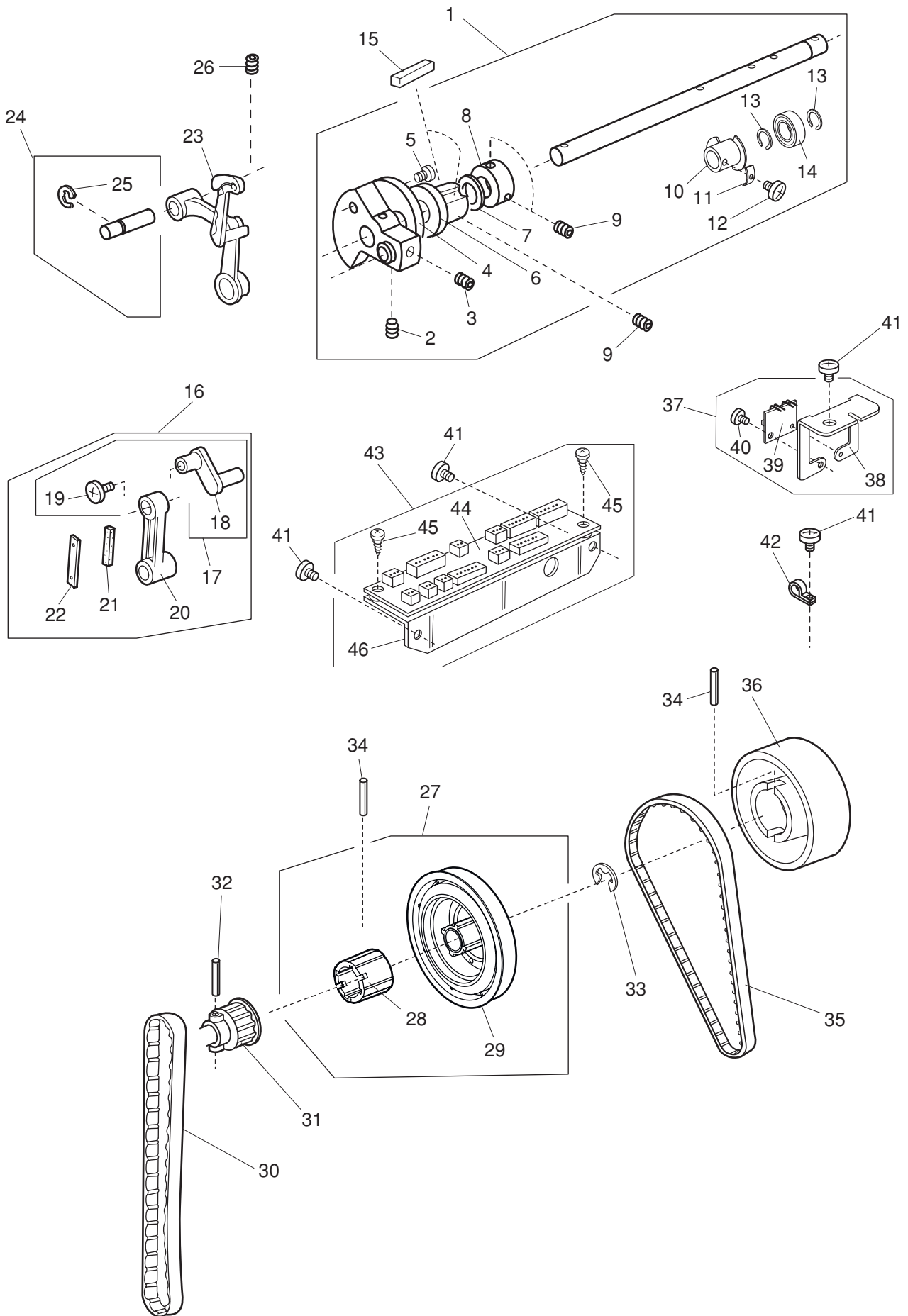
PARTS LIST

KEY NO.	PARTS NO.	DESCRIPTION
1	862621009	Front bracket (unit)
2	862045003	Front bracket
3	852502611	Printed circuit board G1 (unit)
4	853028002	Insulation sheet
5	000101116	Setscrew 3x4
6	846044002	Sensor base plate
7	843625406	Buttonhole lever (unit)
8	000002116	Snap ring E-3
9	830057021	Buttonhole lever guide
10	000103808	Setscrew 3x5
11	000081005	Setscrew 4x8
12	844038018	Needle bar supporter spring
13	859525703	Printed circuit board L2 (unit)
14	859232021	LED cover
15	000078319	Setscrew 3x6
16	000053008	Cord binder
17	652104004	Presser bar bushing
18	859075002	Presser bar bushing plate
19	859076003	Presser foot lifter stopper
20	000216805	Hexagonal socket screw 3x3
21	859077004	Spring supporter
22	859078005	Presser bar spring
23	859210001	Spring supporter
24	859624002	Presser bar supporter (unit)
25	859079017	Presser bar supporter
26	859240000	Shielding plate set plate
27	859081001	Shielding plate
28	000098108	Setscrew 2x3
29	000128603	Setscrew 3x5
30	000111201	Hexagonal socket screw 4x4
31	859082002	Presser bar
32	859801005	Presser foot holder (unit)
33	859802006	Zigzag foot (unit)
34	858274000	Thumbscrew
35	859027009	Presser foot lifter lever
36	859028000	Setscrew
37	859029001	Spring
38	859070007	Automatic presser foot lifter lever
39	859069003	Presser foot lifter lever shaft
40	000101703	Setscrew 4x12
41	000002507	Snap ring E-4

PARTS LIST

KEY NO.	PARTS NO.	DESCRIPTION
1	862623001	Needle bar supporter (unit)
2	862655002	Needle bar supporter (unit)
3	858250000	Needle bar supporter
4	000111902	Hexagonal socket screw 3x4
5	735144006	Needle bar supporter pin
6	000002507	Snap ring E-4
7	000070609	Washer 6
8	673022002	Washer
9	858538005	Needle bar (unit)
10	858540000	Rotation pin stopper (unit)
11	858254004	Rotation pin stopper
12	000111201	Hexagonal socket screw 4x4
13	829027006	Supporter guide plate
14	858541001	Threader guide ring (unit)
15	858276002	Threader guide ring
16	858172007	Needle bar supporter spring
17	846515009	Needle bar supporter (unit)
18	862624002	Threader shaft (unit)
19	858255016	Threader shaft
20	000265500	Knock pin 2x12-CH
21	000265603	Knock pin 2x6-CH
22	862055006	Threader arm
23	858257007	Needle threader spring
24	862056007	Needle threader return spring
25	862625003	Threader supporter shaft (unit)
26	858259009	Threader supporter shaft
27	858260003	Threader guide
28	000022204	Knock pin 2x6
29	000001207	Snap ring E-2.5
30	000078320	Setscrew 3x6
31	862064008	Spring supporter
32	858265008	Link plate 1
33	858266009	Link plate 2
34	862626015	Threader guard plate (unit)
35	862627005	Hook holder (unit)
36	000230403	Setscrew 2x5
37	647814031	Needle HA1-14
38	827083004	Supporter guide pin
39	000216805	Hexagonal socket screw 3x3
40	862651008	Arm thread guide (unit)
41	862081001	Arm thread guide
42	862133009	Thread guide plate
43	000101105	Setscrew 3x4
44	000078319	Setscrew 3x6
45	858677007	Zigzag width rod (unit)
46	858277003	Zigzag width rod
47	827088009	Zigzag width rod spring
48	820373003	Setscrew
49	000002105	Snap ring E-3
50	678084100	Eccentric pin
51	000072014	Washer 5

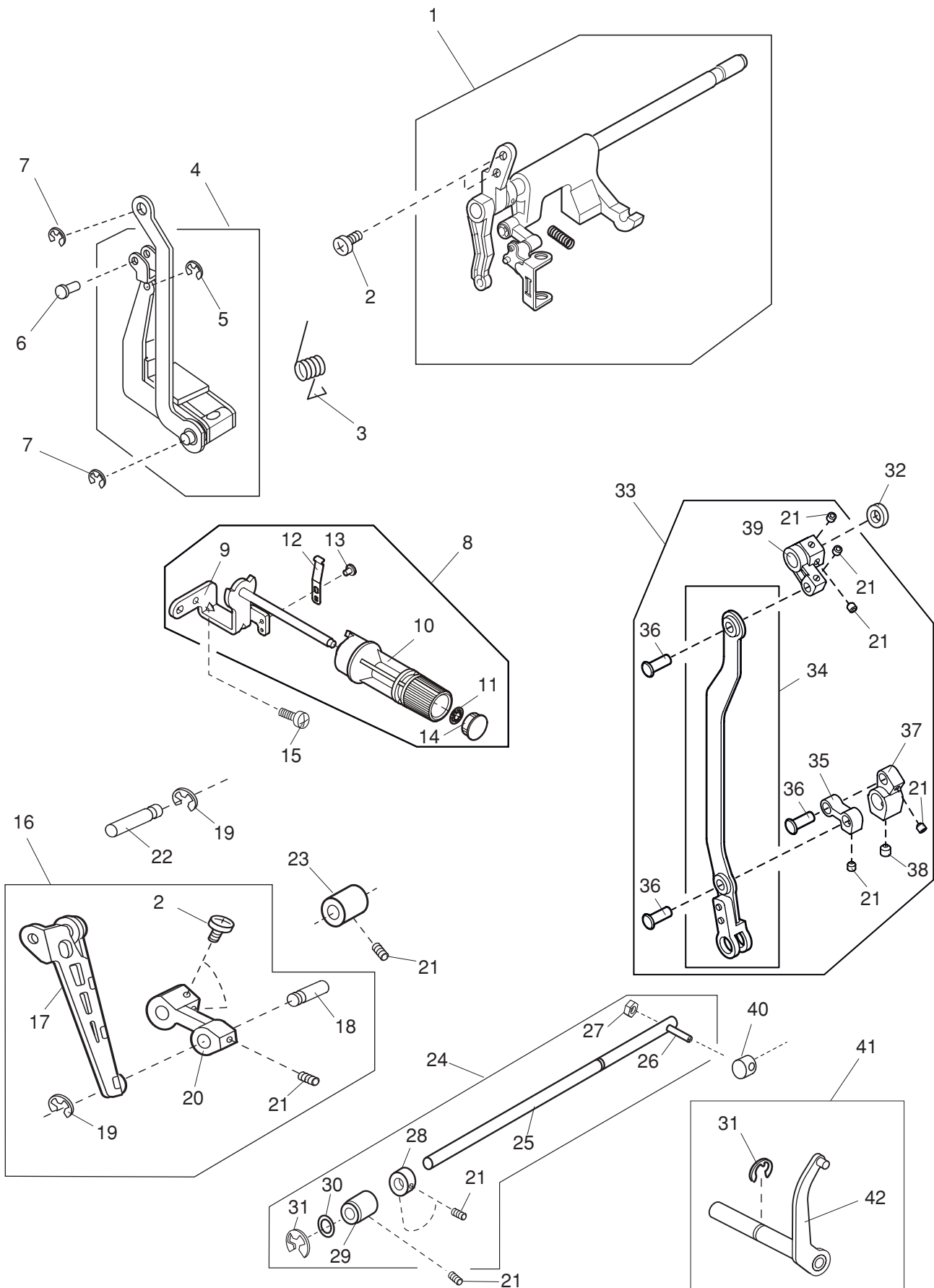
PARTS LIST



PARTS LIST

KEY NO.	PARTS NO.	DESCRIPTION
1	862603005	Upper shaft (unit)
2	000111706	Hexagonal socket screw 5x8
3	000110901	Hexagonal socket screw 5x4
4	859214005	Upper feed lifting cam
5	000078319	Setscrew 3x6
6	670079201	Upper shaft front bushing
7	000040105	Washer \varnothing 12x0.5
8	767077006	Ring
9	000111304	Hexagonal socket screw 5x5
10	862002008	Upper shaft shield plate
11	859033008	Washer
12	000080406	Setscrew 3x10
13	000032702	Snap ring crescent
14	767178008	Ball bearing
15	731312005	Felt
16	846615103	Needle bar crank (unit)
17	843543007	Needle bar crank pin (unit)
18	652143005	Needle bar crank pin
19	647139002	Needle bar crank pin knob
20	650039001	Needle bar crank rod
21	650040005	Felt
22	650041006	Spring
23	820511108	Thread take-up lever (unit)
24	650626001	Thread take-up lever pin (unit)
25	000002806	Snap ring E-6
26	000111201	Hexagonal socket screw 4x4
27	862604006	Belt wheel (unit)
28	862003009	Belt wheel holder
29	858054002	Belt wheel
30	846098001	Timing belt
31	858052000	Upper shaft gear
32	000004303	Pin 3x20
33	000030009	Snap ring E-10
34	000024206	Pin 3x30
35	858118005	Timing belt
36	862122005	Handwheel
37	859646103	Upper shaft sensor (unit)
38	859056007	Sensor set plate
39	843505029	Printed circuit board P (unit)
40	000101105	Setscrew 3x4
41	000081005	Setscrew 4x8
42	000188807	Nylon clip
43	862606008	Printed circuit board U1 (unit)
44	862503004	Printed circuit board U1
45	000120203	Setscrew 3x8 (B)
46	859032029	U1 base plate

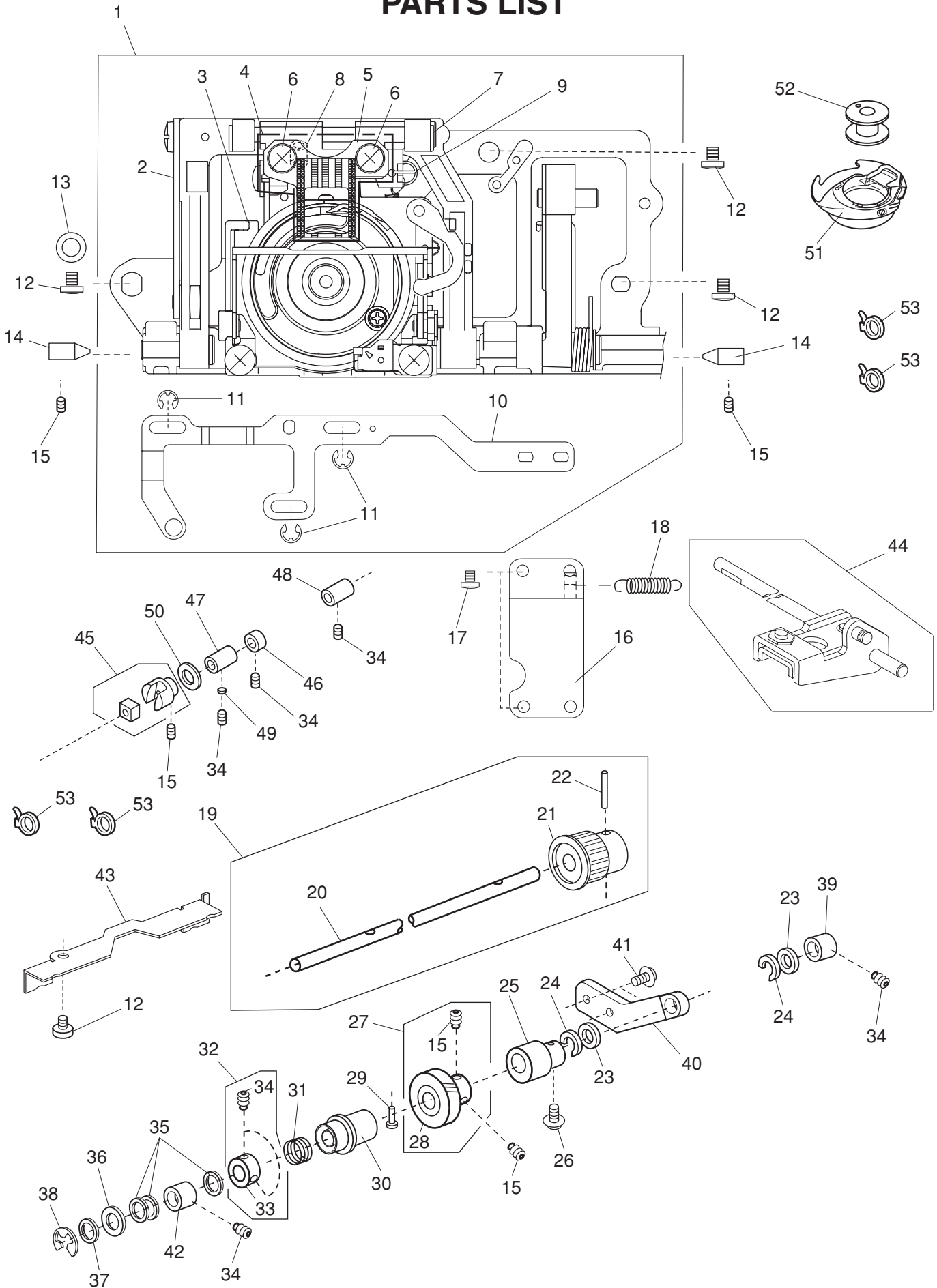
PARTS LIST



PARTS LIST

KEY NO.	PARTS NO.	DESCRIPTION
1	859640004	Upper feed upper shaft (unit)
2	000103509	Setscrew 4x10
3	858156005	Upper feed upper shaft spring
4	859627016	Upper feed foot (unit)
5	000002116	Snap ring E-3
6	846327002	Pin (1)
7	000002105	Snap ring E-3
8	862634005	Upper feed adjusting base plate (unit)
9	862085005	Upper feed adjusting base plate
10	862086006	Upper feed adjusting dial
11	000013903	Snap ring CS-5
12	846353007	Dial leaf
13	000101105	Setscrew 3x4
14	862126009	Cap
15	000081005	Setscrew 4x8
16	858623008	Feed connecting link (unit)
17	858068009	Feed connecting link
18	502258006	Connecting pin
19	000002507	Snap ring E-4
20	846304106	Upper feed lower shaft front arm
21	000111201	Hexagonal socket screw 4x4
22	502258109	Connecting pin
23	784071003	Looper shaft bushing
24	858624009	Upper feed lower shaft (unit)
25	858069000	Upper feed lower shaft
26	846306005	Upper feed lower shaft rear arm
27	000061102	Nut 4-1-7
28	820166001	Lower shaft ring
29	846303002	Upper feed lower shaft bushing
30	000038502	Washer \varnothing 8x0.5
31	000002806	Snap ring E-6
32	822070003	Felt
33	846580005	Upper feed adjusting arm (unit)
34	846577009	Upper feed connecting link (unit)
35	846349000	Upper feed adjusting link
36	820144003	Pin
37	846350004	Upper feed adjusting arm (1)
38	000111304	Hexagonal socket screw 5x5
39	846308007	Upper feed upper shaft rear arm
40	846348009	Rear arm feed lifting roller
41	858644005	Upper feed adjusting arm 2 (unit)
42	858070004	Upper feed adjusting arm 2

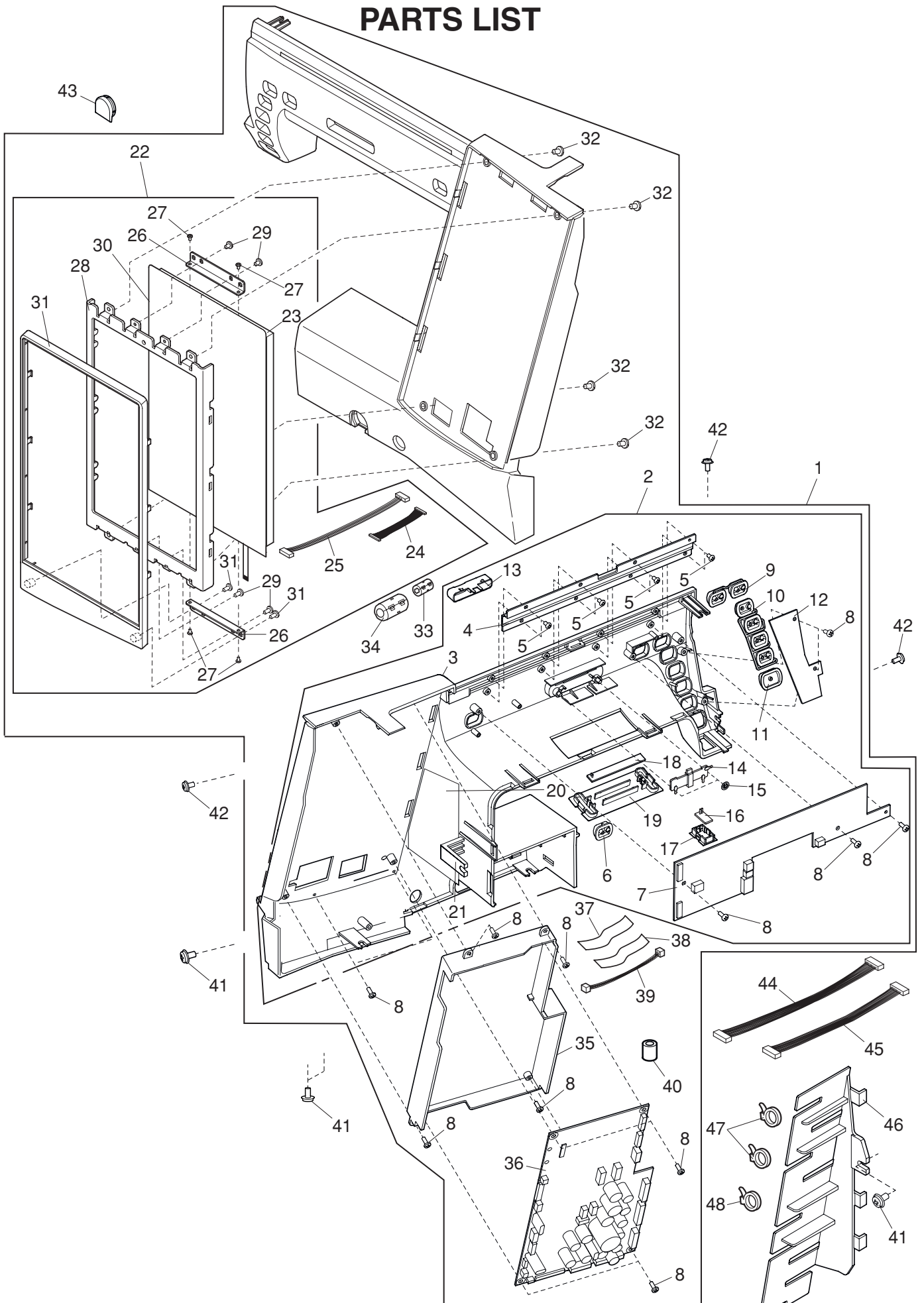
PARTS LIST



PARTS LIST

KEY NO.	PARTS NO.	DESCRIPTION
1	859637019	Feed rock shaft (whole unit)
2	858621006	Feed rock shaft (unit)
3	859638009	Hook race (unit)
4	859639000	Feed dog set base (unit)
5	859113005	Feed dog
6	000104005	Setscrew 3.5x8
7	825099007	Feed dog base shaft
8	000111407	Hexagonal socket screw 4x6
9	825103005	Feed base spring
10	859114004	Drop plate
11	000002105	Snap ring E-3
12	000081005	Setscrew 4x8
13	000070506	Washer 4
14	738055008	Straight pin
15	000111304	Hexagonal socket screw 5x5
16	859115005	Drop connecting plate
17	000101105	Setscrew 3x4
18	859013002	Spring
19	858618000	Lower shaft (unit)
20	858056004	Lower shaft
21	650073007	Lower gear
22	000004200	Pin 3x18
23	822070003	Felt (1)
24	822112008	Felt holder (1)
25	846379009	Feed cam
26	000149600	Setscrew 3x14
27	850687006	Lower shaft gear (unit)
28	650076000	Lower shaft gear
29	820161006	Feed lifting pin
30	846103000	Feed lifting cam
31	825093001	Feed lifting cam spring
32	820672005	Lower shaft ring (unit)
33	820166001	Lower shaft ring
34	000111201	Hexagonal socket screw 4x4
35	000038502	Washer \varnothing 8x0.5
36	735143005	Felt
37	000071507	Washer 8
38	000002806	Snap ring E-6
39	650079003	Lower shaft bushing (rear)
40	858058006	Lower shaft supporter
41	000115700	Setscrew TP 4x10
42	858060001	Lower shaft bushing (front)
43	858158007	Cord Guide 1
44	858626001	Feed shaft (unit)
45	625508008	Feed regulator (unit)
46	820387000	Ring
47	625144002	Feed shaft bushing (front)
48	650092002	Feed shaft bushing (rear)
49	650175000	Cushion
50	823110009	Felt
51	846652504	Bobbin holder (unit)
52	102261103	Bobbin
53	000053008	Cord binder

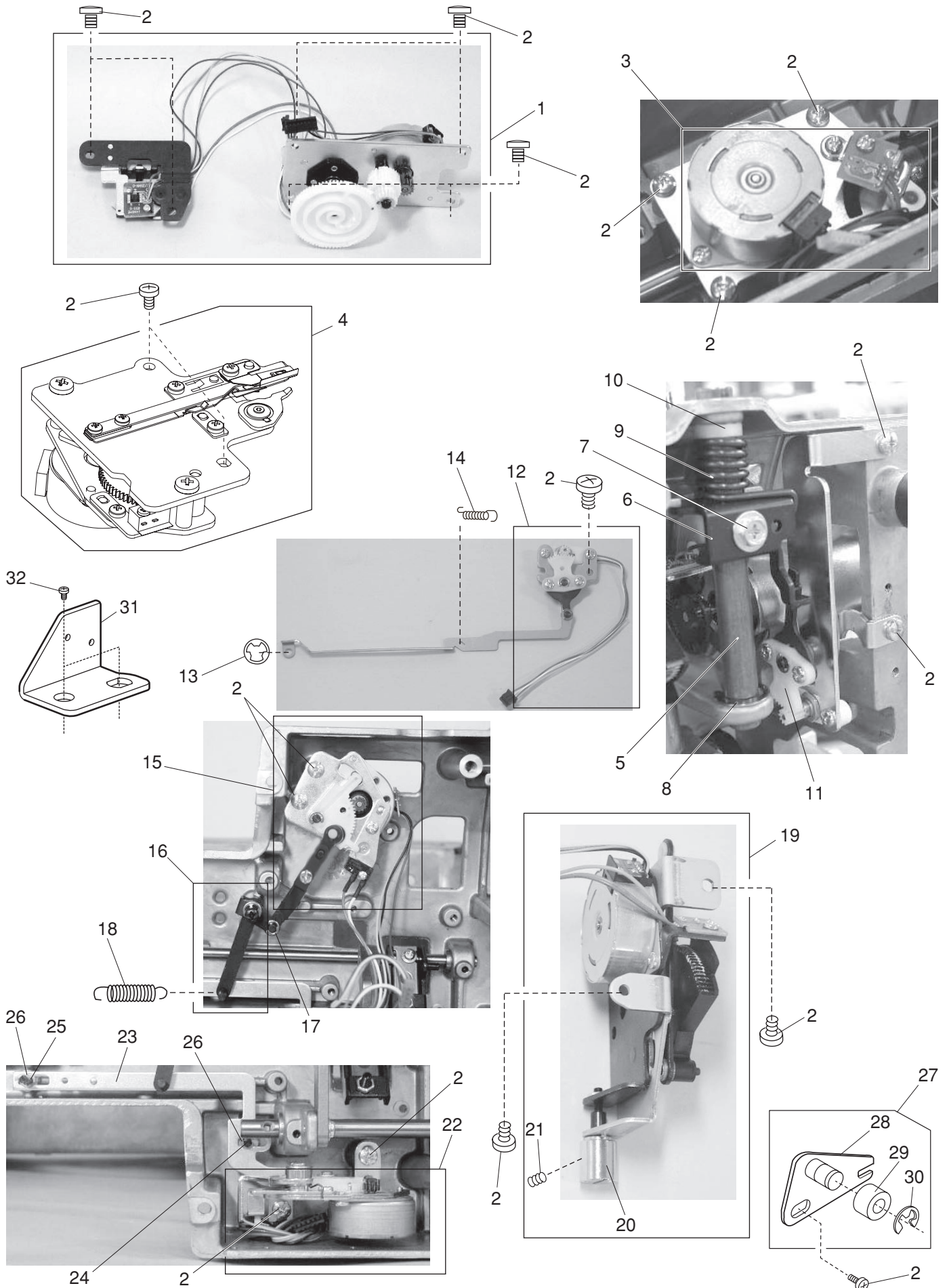
PARTS LIST



PARTS LIST

KEY NO.	PARTS NO.	DESCRIPTION
1	862667203	Front cover (all unit)
2	862657200	Front cover (unit)
3	862151A03	Front cover
4	862636007	Line light decorative plate (unit)
5	000162001	Setscrew 2.6x5 (B)
6	862637008	Bobbin winding button
7	862512006	Printed circuit board K (unit)
8	000120203	Setscrew 3x8 (B)
9	862639000	Function button 2 (unit)
10	862638102	Function button 1 (unit)
11	862093109	Start/stop button
12	862516000	Printed circuit board F (unit)
13	862095008	Speed control slider
14	653507277	Slide volume (unit)
15	000014306	Snap ring CS-3
16	859506100	Printed circuit board L1 (unit)
17	858106000	LED cover 2
18	859525507	Printed circuit board L2 (unit)
19	860167006	Lamp cover 2
20	862147006	Shielding sheet 1
21	862148007	Shielding sheet 2
22	862658005	Interface (unit)
23	862518002	LCD (unit)
24	862519003	Cable 20 pin
25	862520007	Cable 6 pin [LCD-A]
26	862096009	LCD set plate
27	000163703	Setscrew 2x3.5
28	862097000	Touch screen frame
29	000101105	Setscrew 3x4
30	862537007	Touch screen (unit)
31	862152107	Ornamental panel
32	000081005	Setscrew 4x8
33	000560209	Ferrite core
34	856522000	Ferrite core
35	862641005	Printed circuit board A case (unit)
36	862409504	Printed circuit board A (unit)
37	862513007	F.F.C 30
38	862514008	F.F.C 26
39	862515009	Cable 6 pin [A-K]
40	000560106	Ferrite core
41	000115607	Setscrew TP 4x8
42	000114710	Setscrew TP 3x6
43	862103000	Feed balancing dial cover
44	862541004	Cable 26 pin [A-U1]
45	862542005	Cable 24 pin [A-U1]
46	862138004	Base plate for ferrite cores
47	000053204	Cord binder
48	000053307	Cord binder

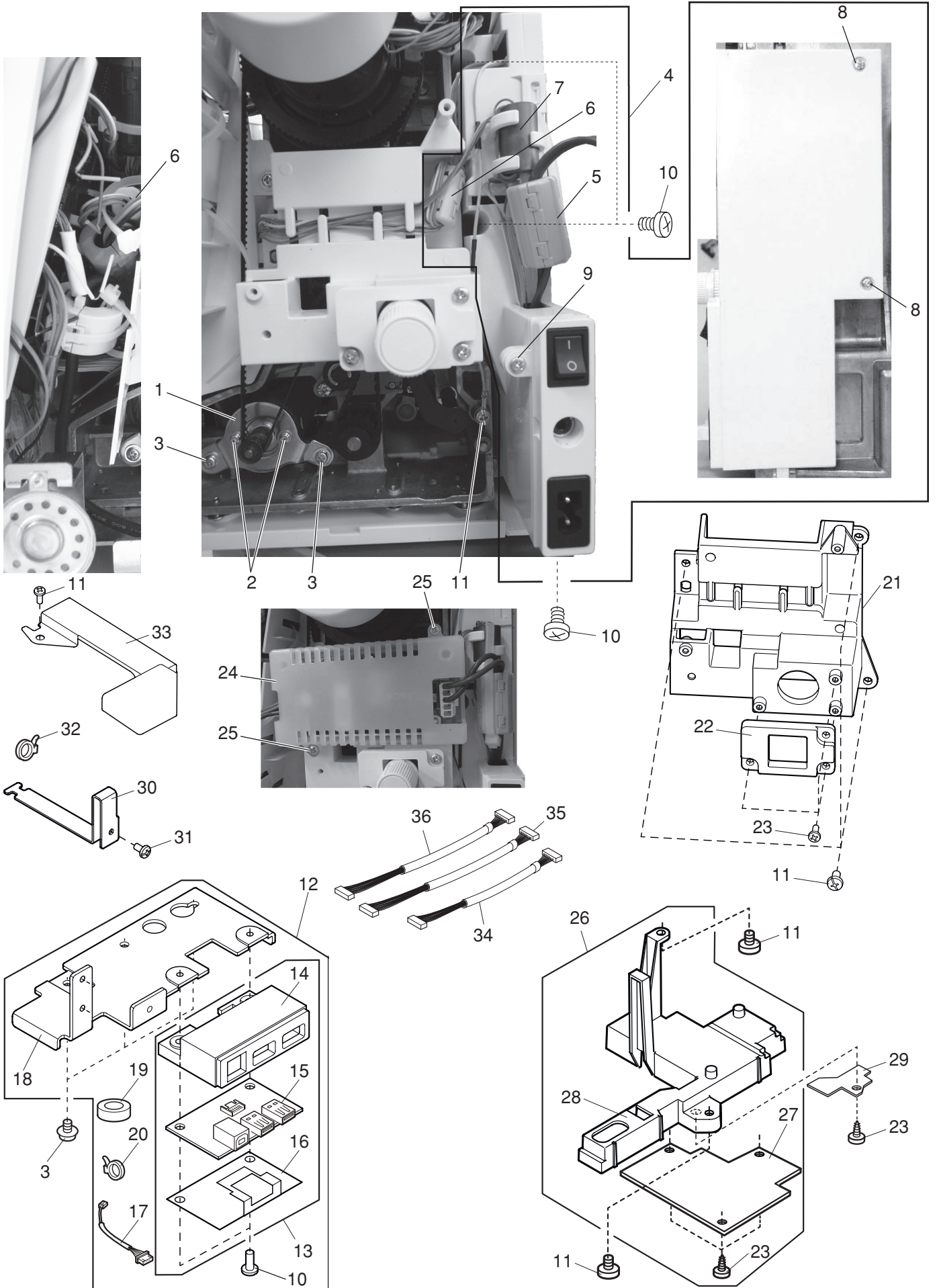
PARTS LIST



PARTS LIST

KEY NO.	PARTS NO.	DESCRIPTION
1	859623001	Presser foot lifter motor (unit)
2	000081005	Setscrew 4x8
3	859608103	Zigzag width motor (unit)
4	861631205	Automatic thread cutter (unit)
5	858088108	Knee lifter shaft
6	859021014	Knee lifter stopper
7	000138503	Hexagonal socket screw 5x12
8	000002208	Snap ring E-9
9	859022004	Knee lifter stopper spring
10	846297002	Stopper
11	859609001	Knee lifter sensor (unit)
12	859606008	Sensor set plate (unit)
13	000013707	Snap ring CS-2.4
14	859011000	Spring
15	859604028	Bobbin thread sensor motor (unit)
16	859605007	Arm (unit)
17	000002105	Snap ring E-3
18	862144003	Spring
19	859664004	Feed motor (unit)
20	859215006	Feed balancing dial
21	000110200	Hexagonal socket screw 4x4 (WP)
22	859607009	Drop feed motor (unit)
23	859012001	Feed dog driving plate
24	858169001	Pin
25	859260006	Pin
26	000001207	Snap ring E-2.5
27	860608004	Idler (unit)
28	860021007	Idler base
29	625217100	Idler
30	000002806	Snap ring E-6
31	858320002	Stopper set plate
32	000101404	Setscrew 4x6

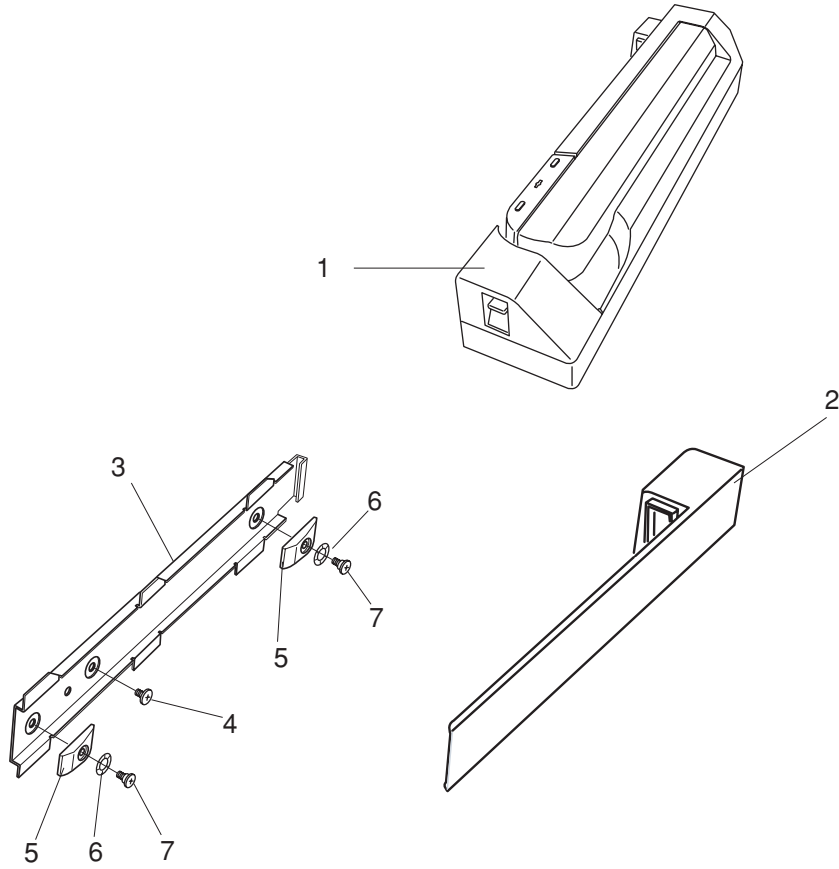
PARTS LIST



PARTS LIST

KEY NO.	PARTS NO.	DESCRIPTION
1	859612203	DC motor (unit)
2	000115009	Setscrew TP 3x8
3	000115607	Setscrew TP 4x8
4	862666006	Switching power supply (unit)
5	000559700	Ferrite core E1630MRF
6	000560106	Ferrite core GRFC-4
7	808108007	Ferrite core
8	000119704	Setscrew 3x14 (B)
9	000161206	Setscrew 3x10 (B)
10	000103509	Setscrew 4x10
11	000081005	Setscrew 4x8
12	862607113	Printed circuit board B case (unit)
13	859644008	Printed circuit board B case (unit)
14	859147017	Printed circuit board B case
15	859518002	Printed circuit board B (unit)
16	859244015	Insulation sheet B
17	862533014	Relay cable 12 pin
18	862006002	Printed circuit board B set plate
19	000595100	Ferrite core
20	000053307	Cord binder
21	862104001	Auxiliary power supply cover
22	862134000	Upper feed adjusting dial positioning plate
23	000120203	Setscrew 3x8 (B)
24	862650007	Auxiliary power supply case (unit)
25	000161206	Setscrew 3x10 (B)
26	859643007	Printed circuit board U2 (unit)
27	859517001	Printed circuit board U2 (unit)
28	859135012	Cord guide
29	859250003	Cord cover plate
30	859251004	Cord guide 3
31	000066705	Setscrew 3x8
32	000053008	Cord binder
33	862136002	Shield guide plate
34	859531001	Cable 14 pin [A-U2]
35	859532002	Cable 18 pin [A-U2]
36	859533003	Cable 20 pin [A-U2]

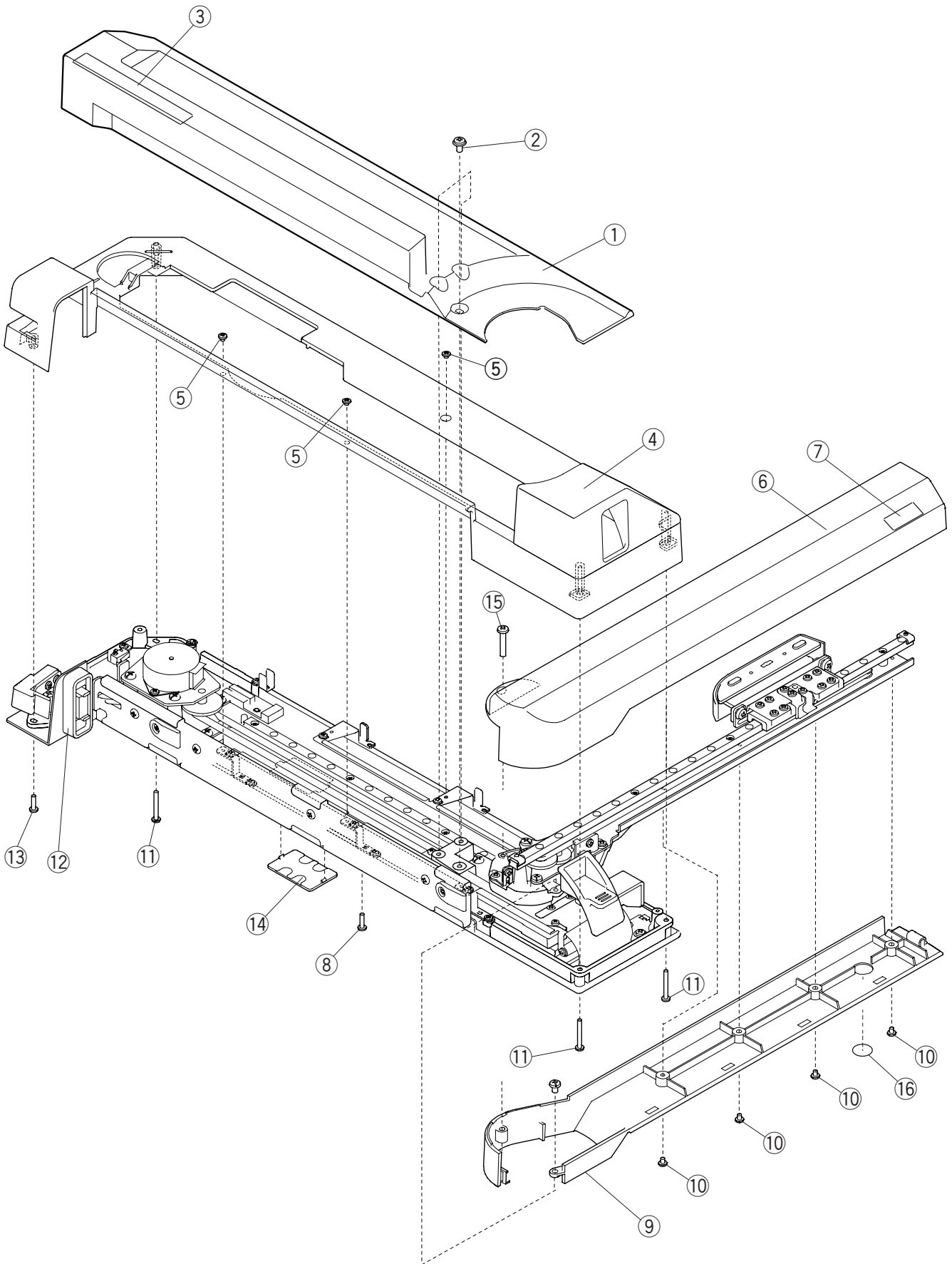
PARTS LIST



PARTS LIST

KEY NO.	PARTS NO.	DESCRIPTION
1	859651008	Embroidery unit
2	859148203	Cover
3	859138004	Rail
4	810220003	Setscrew
5	859139005	Cushion
6	000116000	Washer 7
7	859273002	Setscrew

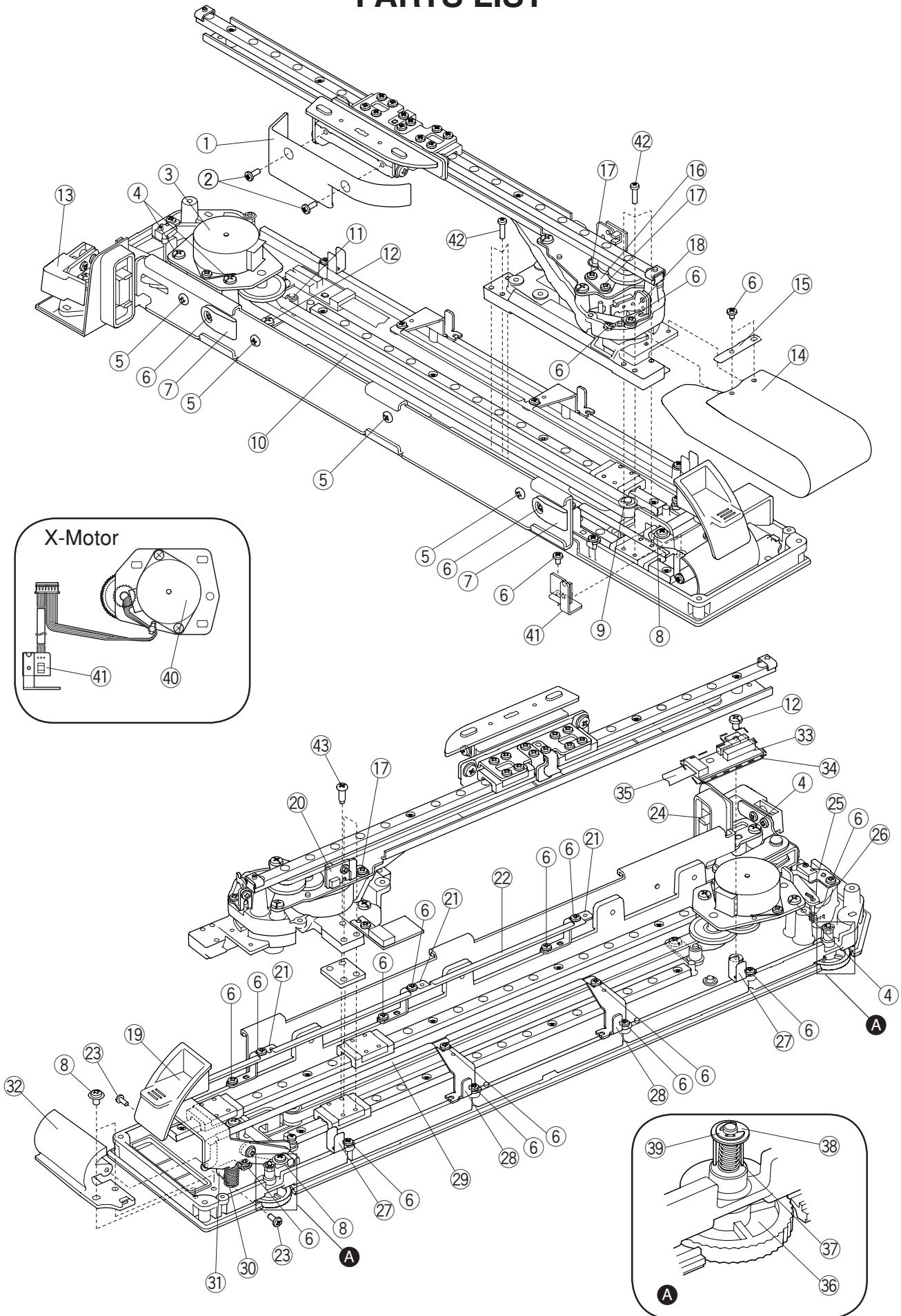
PARTS LIST



PARTS LIST

KEY NO.	PARTS NO.	DESCRIPTION
1	859673006	X-carriage cover (unit)
2	000115607	Setscrew TP 4x8
3	859262008	Carriage sticker
4	859663006	Embroidery unit cover (upper) (unit)
5	000097406	Setscrew 3x3
6	859199106	Y-carriage cover (upper)
7	859276016	Y-carriage sticker
8	000066705	Setscrew 3x8
9	859198002	Y-carriage cover (lower)
10	000101105	Setscrew 3x4
11	000171405	Setscrew 3x25
12	859192006	Embroidery unit cover (lower)
13	000161309	Setscrew 3x12
14	850156207	Y-carriage cover cap
15	000080901	Setscrew 4x25
16	797141201	Cap

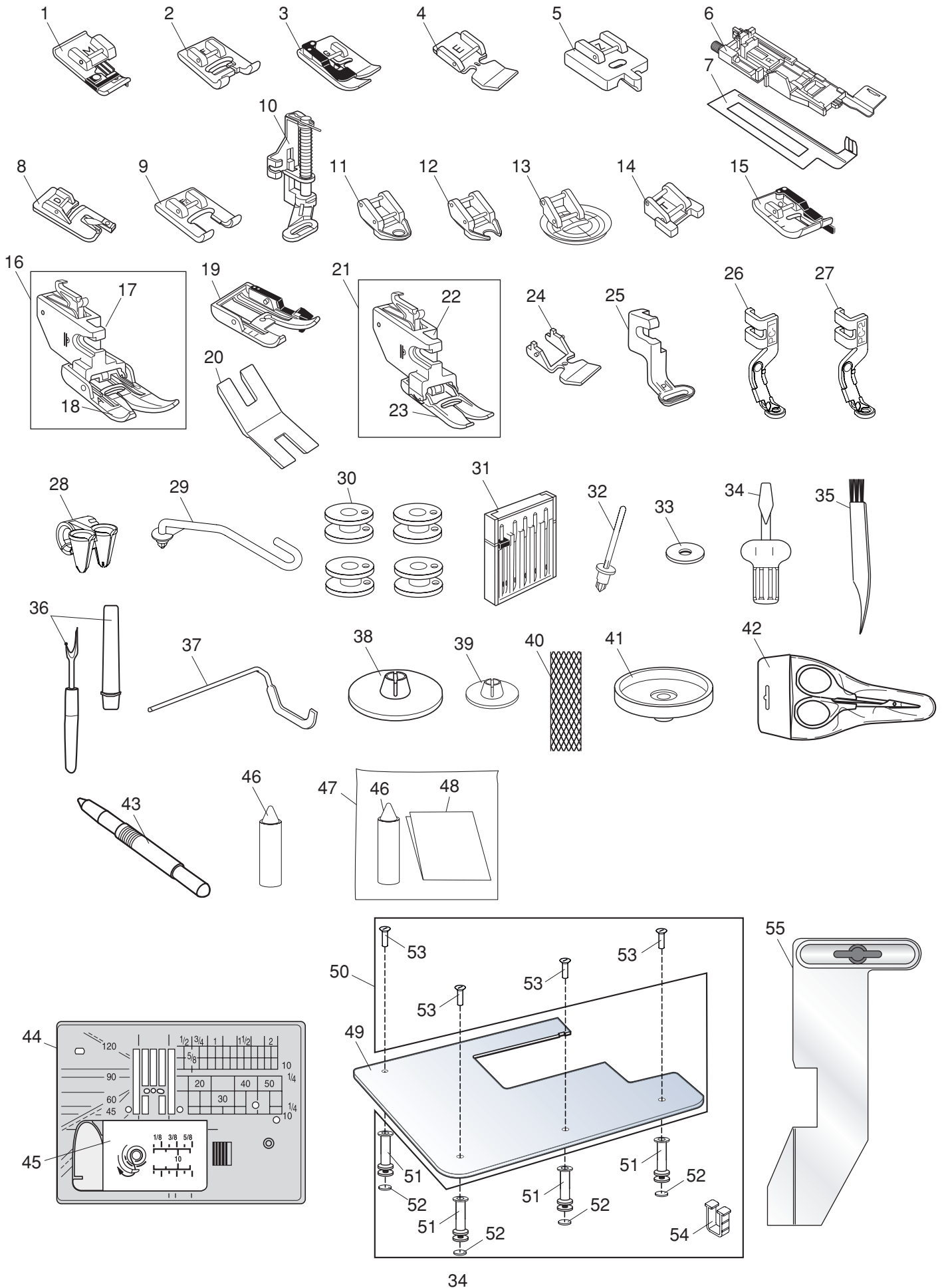
PARTS LIST



PARTS LIST

KEY NO.	PARTS NO.	DESCRIPTION
1	859172000	Carriage side cover
2	000066727	Setscrew 3x8
3	859653000	X-Motor (unit)
4	000081005	Setscrew 4x8
5	810220106	Setscrew
6	000101105	Setscrew 3x4
7	859182014	Rail spring
8	000115205	Setscrew TP 4x8
9	859667007	X-pulley shaft (unit)
10	859167105	Syncro belt 710
11	859669009	Idler base (unit)
12	000101404	Setscrew 4x6
13	859661001	Hook (unit)
14	859193007	Film
15	859201009	Film holder
16	860122102	Y-gear set plate
17	000097406	Setscrew 3x3
18	859670014	Swing switch (unit)
19	859660000	Releasing lever
20	860515209	Y-sensor (printed circuit board G2)
21	859202000	Film guide support plate
22	859195009	Film guide 2
23	000120203	Setscrew 3x8 (B)
24	859659006	Connector (unit)
25	859662013	Embroidery unit release hook attaching plate
26	859186007	Spring
27	859239006	Cord guide 2
28	859203001	Film guide support plate 2
29	859196000	Film guide 3
30	858097007	Knee lifter shaft spring
31	770414009	Cord guide plate
32	859194019	Film guide
33	859520007	Printed circuit board S1
34	859154006	Insulation paper S1
35	859523000	Flexible cable (S1-S2)
36	859209007	Adjusting foot
37	862072009	Slide spring
38	602009003	Washer 3
39	000001207	Snap ring E-2.5
40	860553106	Motor (unit)
41	859654001	X-sensor (unit)
42	000100104	Setscrew 3x12
43	859252005	Setscrew

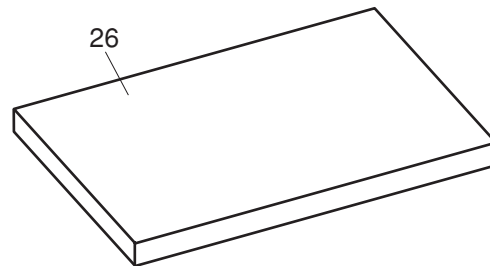
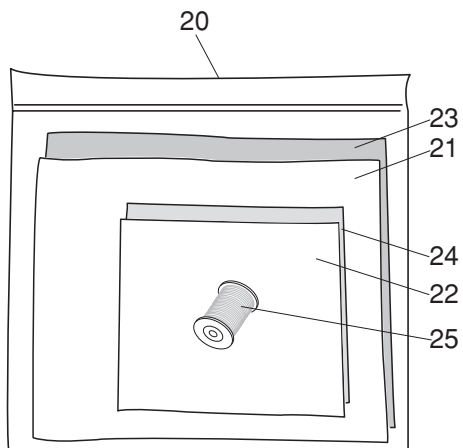
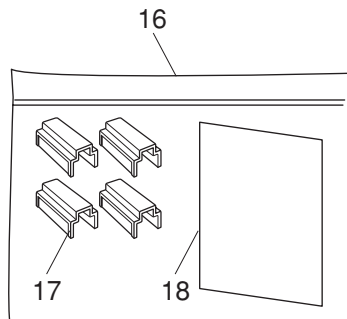
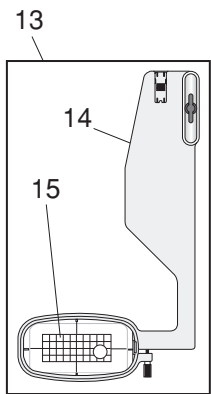
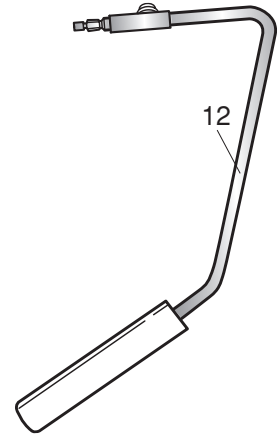
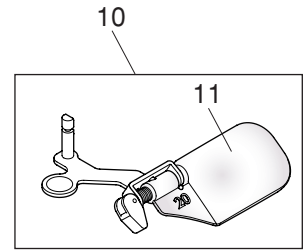
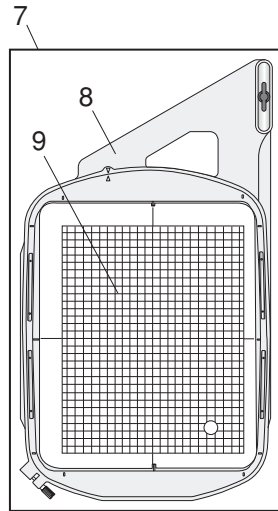
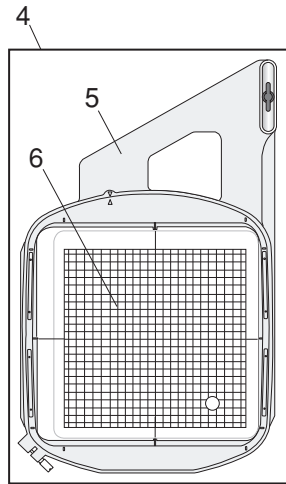
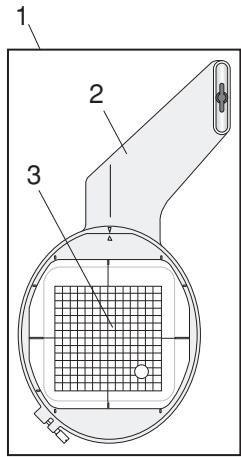
PARTS LIST



PARTS LIST

KEY NO.	PARTS NO.	DESCRIPTION
1	859810007	Overedge foot M
2	859806011	Satin stitch foot F
3	859807001	Blind hemming foot G
4	859805009	Zipper foot E
5	859815002	Concealed zipper foot Z
6	862822013	Automatic buttonhole foot R
7	859832016	Stabilizer plate
8	859804008	Rolled hem foot D
9	859813000	Open toe satin stitch foot F2
10	859839002	Darning foot PD-H
11	859836009	Free motion quilting closed-toe foot QC
12	859837000	Free motion quilting open-toe foot QO
13	859812009	Free motion quilting zigzag foot QV
14	859811008	Button sewing foot T
15	859814001	1/4" seam foot O
16	859819017	Dual feed (twin) (unit)
17	859817015	Dual feed holder (twin)
18	859819109	Dual feed foot AD (twin)
19	859829009	Dual feed quilt piecing foot OD (twin)
20	832820007	Button shank plate
21	859835008	Dual feed (single) (unit)
22	859833017	Dual feed holder (single)
23	859835101	Dual feed foot VD (single)
24	859838001	Dual feed zipper foot ED (single)
25	859816014	Embroidery foot P
26	862410106	Couching foot PC-1
27	862410117	Couching foot PC-2
28	862410405	Yarn guide bar
29	862410508	Yarn guide
30	102261103	Bobbin
31	859856005	Needle set
32	625031706	Additional spool pin
33	102403109	Felt
34	820832005	Screwdriver (large)
35	802424004	Lint brush
36	560406104	Seam ripper (buttonhole opener)
37	755802001	Quilting guide bar
38	862408008	Spool holder (special)
39	822019509	Spool holder (small)
40	624806006	Net
41	829803004	Spool stand
42	803813203	Scissors
43	860194002	Touch panel stylus
44	862817004	Straight stitch needle plate
45	809136100	Hook cover plate
46	859858007	Bobbin holder cleaner
47	859858203	Bobbin holder cleaner (Canada)
48	859858306	Instructional card (Canada)
49	859826110	Extra wide table
50	859867009	Extra wide table accessory
51	489601004	Extra wide table leg (unit)
52	491002006	Rubber sole
53	000165509	Setscrew 5x18
54	859827007	Table support
55	859825016	Cloth guide

PARTS LIST

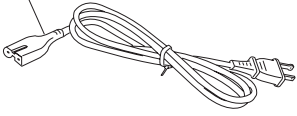


PARTS LIST

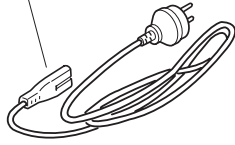
KEY NO.	PARTS NO.	DESCRIPTION
1	859823003	Embroidery hoop SQ14 (unit)
2	859823025	Embroidery hoop SQ14
3	859823302	Template SQ14
4	859822002	Embroidery hoop SQ23 (unit)
5	859822024	Embroidery hoop SQ23
6	859822301	Template SQ23
7	859820000	Embroidery hoop GR (unit)
8	859820044	Embroidery hoop GR
9	859820701	Template GR
10	858415005	Optic magnifier (20) (unit)
11	859401126	Optic magnifier (20)
12	846417022	Knee lifter
13	859824004	Embroidery hoop FA10 (unit)
14	859824026	Embroidery hoop FA10
15	859824303	Template FA10
16	859821403	Magnetic clamps (for SQ23 and GR)(unit)
17	859821001	Magnetic clamps (for SQ23 and GR)
18	861826003	Caution card
19	846652700	Bobbin holder for embroidery
20	862815002	Starter kit (unit)
21	850826205	Felt (450x500)
22	850826009	Felt (320x320)
23	850826308	Stabilizers (450x500)
24	850826102	Stabilizers (320x320)
25	200921792	Bobbin thread for embroidery
26	859863108	Carton box for embroiery hoops

PARTS LIST

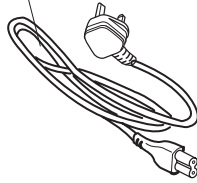
1 (U.S.A.) (Canada)



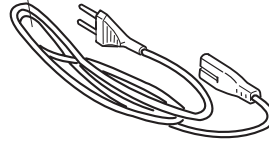
1 (Australia)



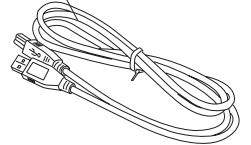
1 (UK)



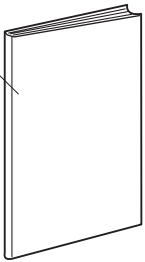
1 (Continental Europe)



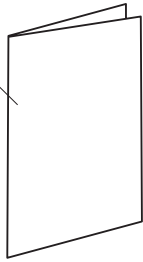
2



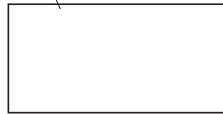
3



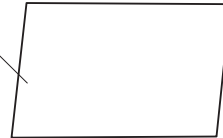
4



5



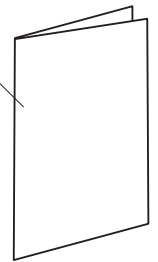
6



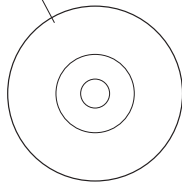
7



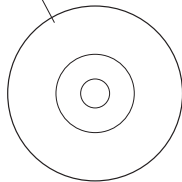
8



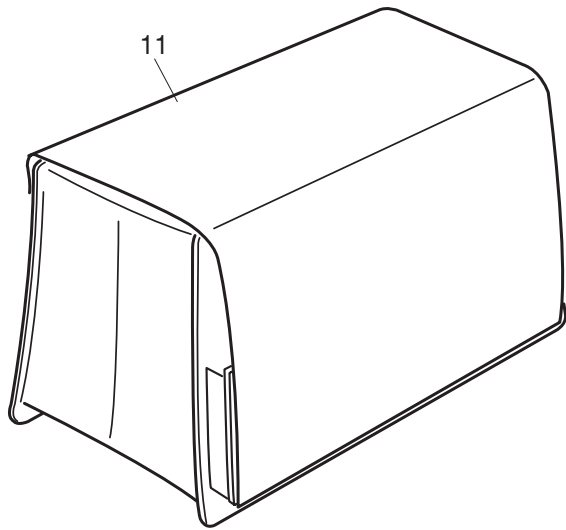
9



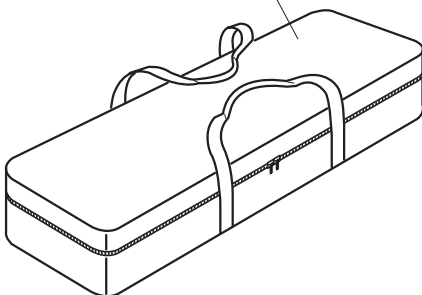
10



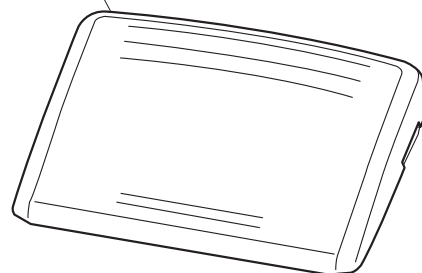
11



12



13



PARTS LIST

KEY NO.	PARTS NO.	DESCRIPTION
1	856519004	Power cable (U.S.A.) (Canada)
	830314018	Power cable (Australia)
	830377008	Power cable (UK)
	830335004	Power cable (Continental Europe)
2	850403006	USB cable
3	862871006	Instruction book (English)
	862871202	Instruction book (French)
	862871305	Instruction book (German)
	862871408	Instruction book (Dutch)
4	862858007	Optional accessories catalog
5	861825002	Caution card
6	862874009	Quick reference chart (Common) (English)
	862874205	Quick reference chart (Common) (French)
	862874308	Quick reference chart (Common) (German)
	862874401	Quick reference chart (Common) (Dutch)
7	862875000	Quick reference chart (Embroidery mode) (English)
	862875206	Quick reference chart (Embroidery mode) (French)
	862875309	Quick reference chart (Embroidery mode) (German)
	862875402	Quick reference chart (Embroidery mode) (Dutch)
8	862890001	Instructional card
9	862876001	Instructional DVD
10	862877002	Acutools CD-ROM
11	859848004	Semi-hard fabric cover
12	862860002	Embroidery unit case
13	043770104	Foot control (unit)