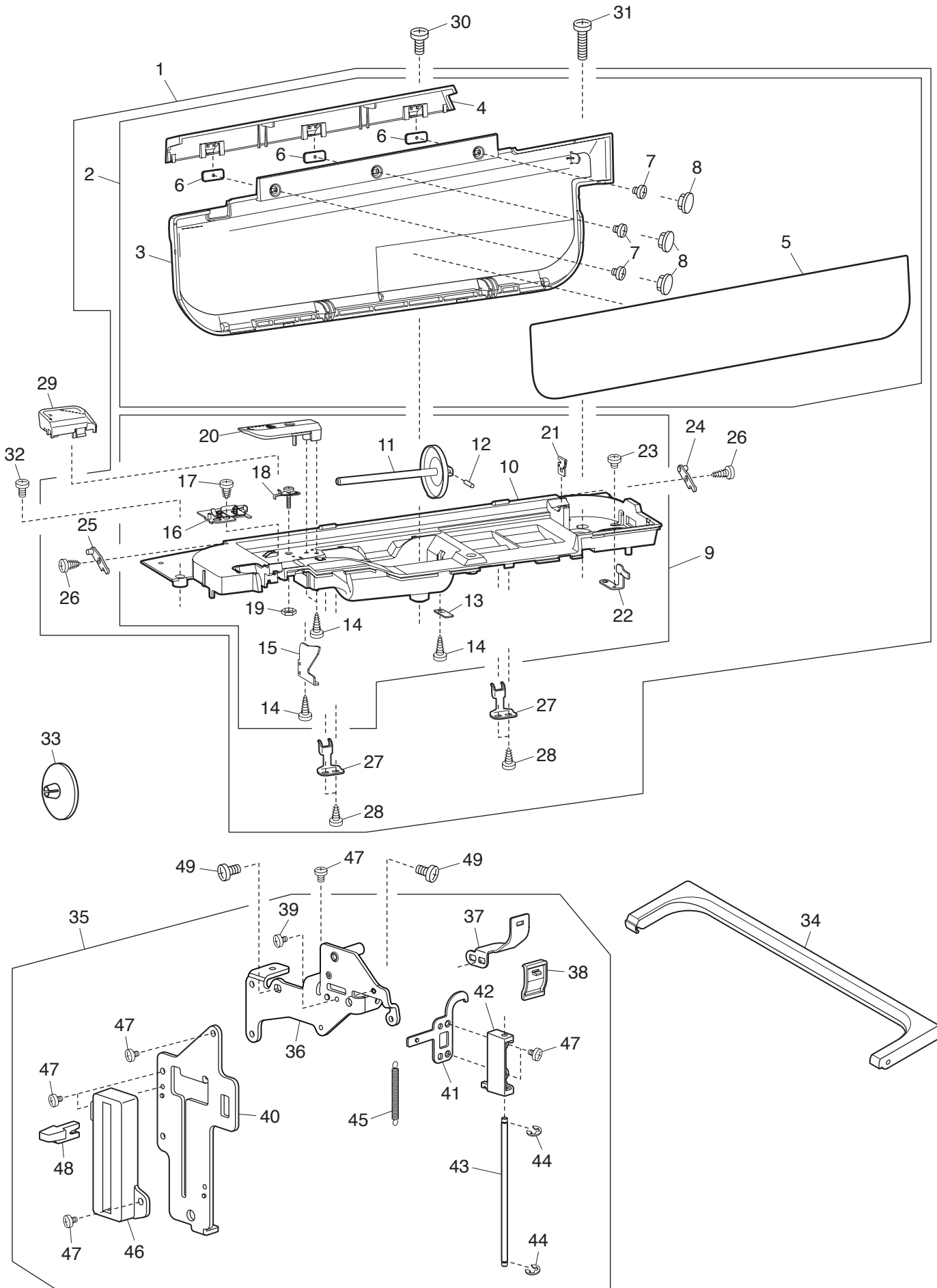


PARTS LIST

**MODEL: HORIZON Memory Craft
9410 QC PROFESSIONAL**

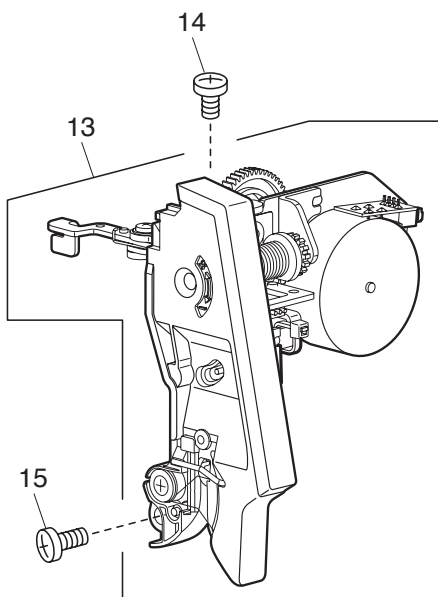
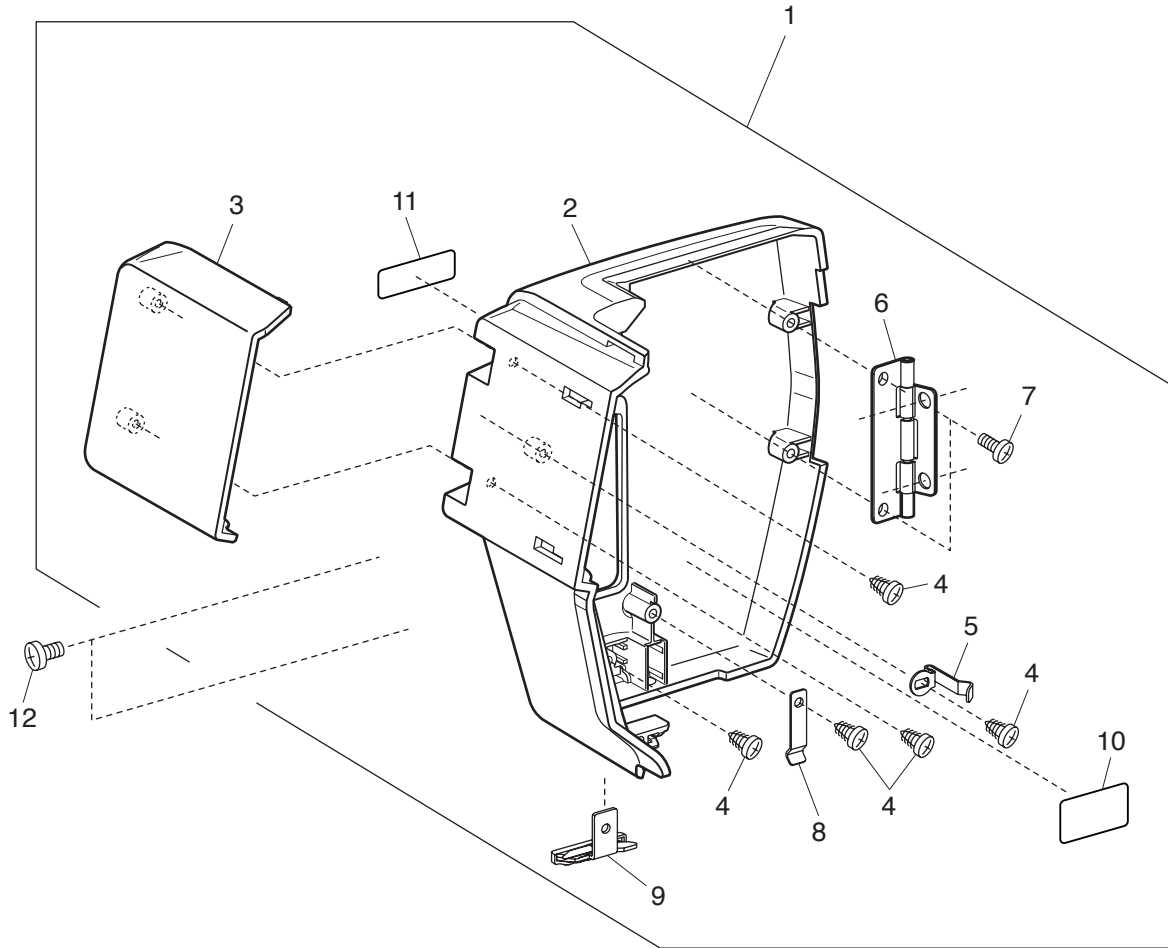
PARTS LIST



PARTS LIST

KEY NO.	PARTS NO.	DESCRIPTION
1	869602108	Top cover (whole unit)
2	869603109	Top cover (unit)
3	869004001	Top cover
4	869005B01	Top cover ornamental panel
5	869006A02	Reference chart
6	865010008	Washer
7	000103808	Setscrew 3x5
8	862111001	Cap
9	869604007	Top cover body (unit)
10	869007004	Top cover body
11	859052003	Spool pin
12	822017002	Spool pin shaft
13	822018003	Spool pin spring
14	000107204	Setscrew 3x12 (B)
15	862160016	Thread guide plate
16	865606007	Thread guide (unit)
17	000107307	Setscrew 3x8 (B)
18	862535016	Bobbin winder thread guide (unit)
19	000160102	Adjustable lock nut 4
20	862660000	Bobbin winder thread guide cover (unit)
21	830505007	Thread cutter (unit)
22	861099009	Bobbin winder stopper
23	000101127	Setscrew 3x4
24	858023002	Top cover hinge (right)
25	858023105	Top cover hinge (left)
26	000161206	Setscrew 3x10 (B)
27	859137003	Top cover hinge spring
28	000120203	Setscrew 3x8 (B)
29	865013001	Thread guide cover
30	000170507	Setscrew 4x12
31	000104119	Setscrew 4x20
32	000066705	Setscrew 3x8
33	822020503	Spool holder (large)
34	858024003	Carrying handle
35	869619005	Carrying handle supporter (front) (unit)
36	869018008	Carrying handle supporter (front)
37	859067001	Carrying handle spring
38	859238005	Carrying handle spring cap
39	000101105	Setscrew 3x4
40	865023004	Threader base plate
41	869020003	Threader driving plate
42	865025006	Threader bushing
43	865026007	Threader lever shaft
44	000002301	Snap ring E-2
45	865027008	Needle threader return spring
46	865028009	Threader ornamental panel
47	000078319	Setscrew 3x6
48	865029000	Threader lever
49	000081005	Setscrew 4x8

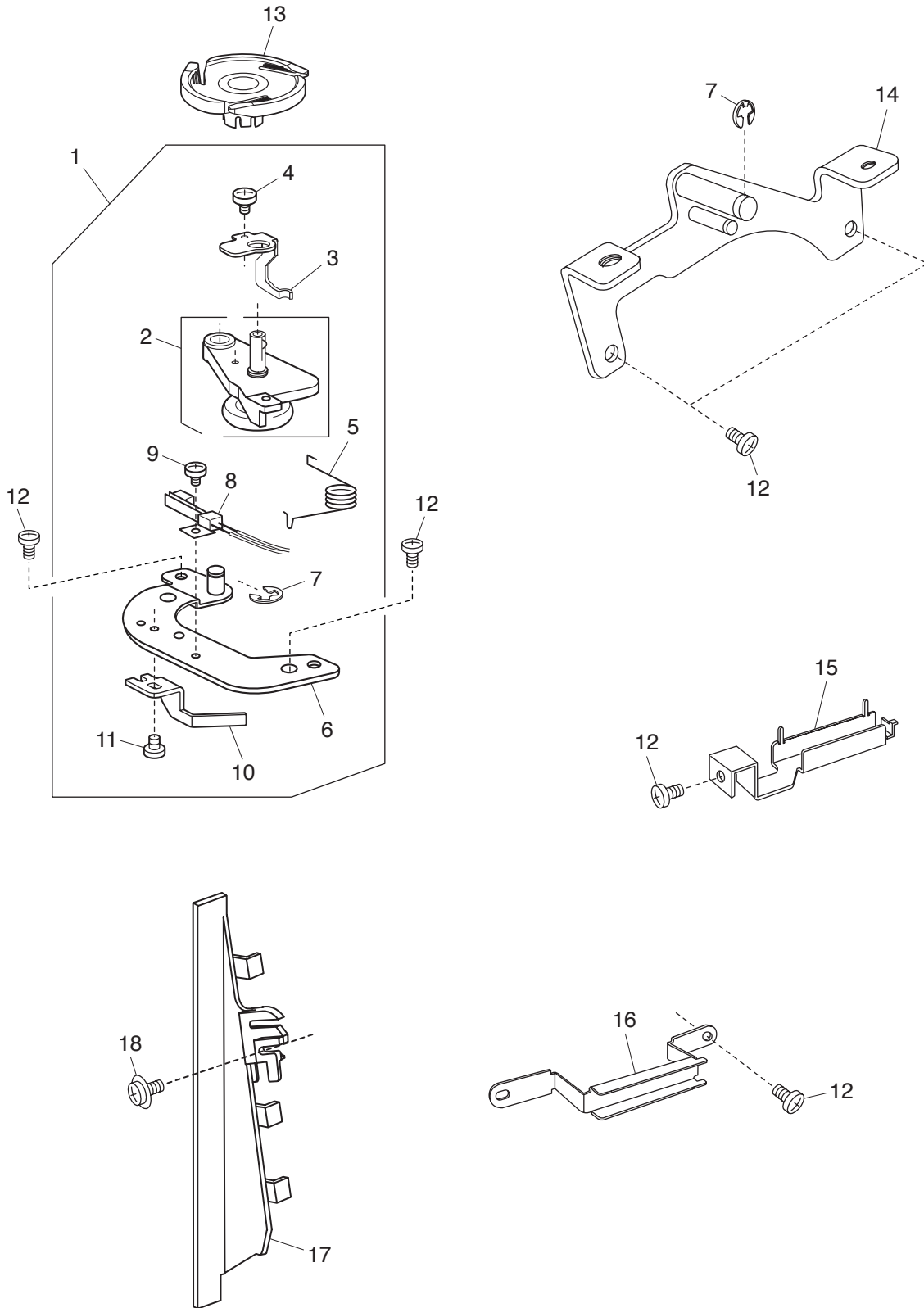
PARTS LIST



PARTS LIST

KEY NO.	PARTS NO.	DESCRIPTION
1	869621000	Face plate (unit) (U.S.A.) (Canada)
	869621103	Face plate (unit) (Australia) (UK) (Continental Europe)
2	869014A01	Face plate
3	869015A01	Ornamental panel
4	000120203	Setscrew 3x8 (B)
5	850013005	Face plate spring
6	851503103	Face plate hinge (unit)
7	000161206	Setscrew 3x10 (B)
8	859233000	Leaf
9	832508017	Thread cutter (unit)
10	100045000	Caution sticker (U.S.A.) (Canada)
11	100517008	Caution sticker (U.S.A.) (Canada)
12	000081119	Setscrew 4x6
13	869612101	Thread tension (unit)
14	000081005	Setscrew 4x8
15	000103509	Setscrew 4x10

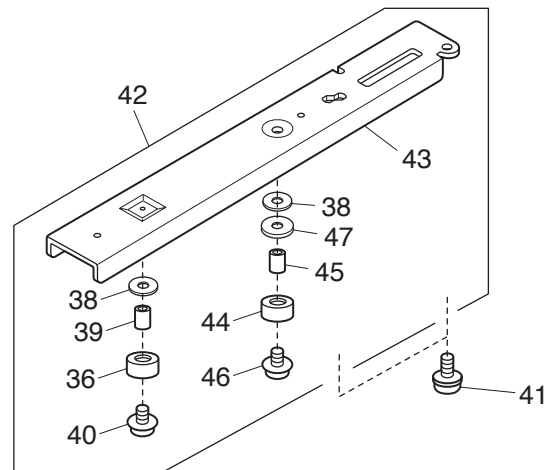
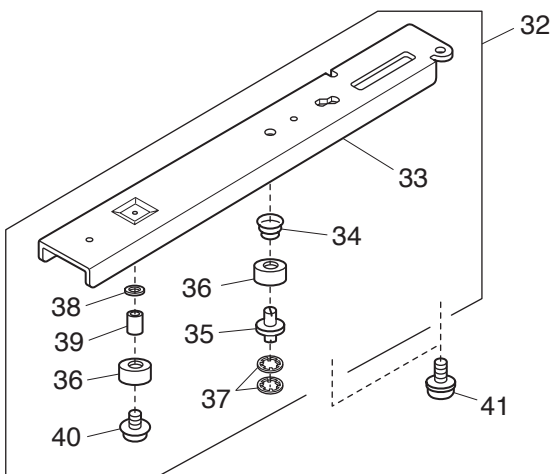
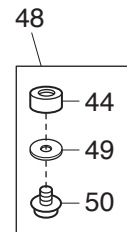
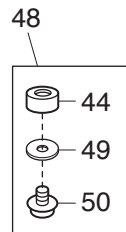
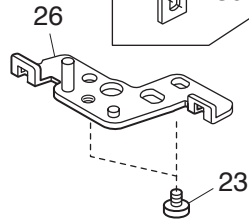
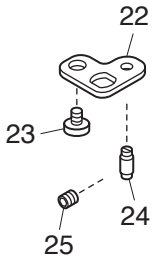
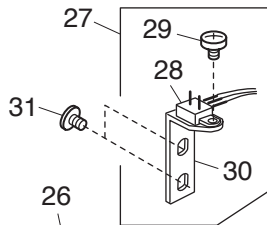
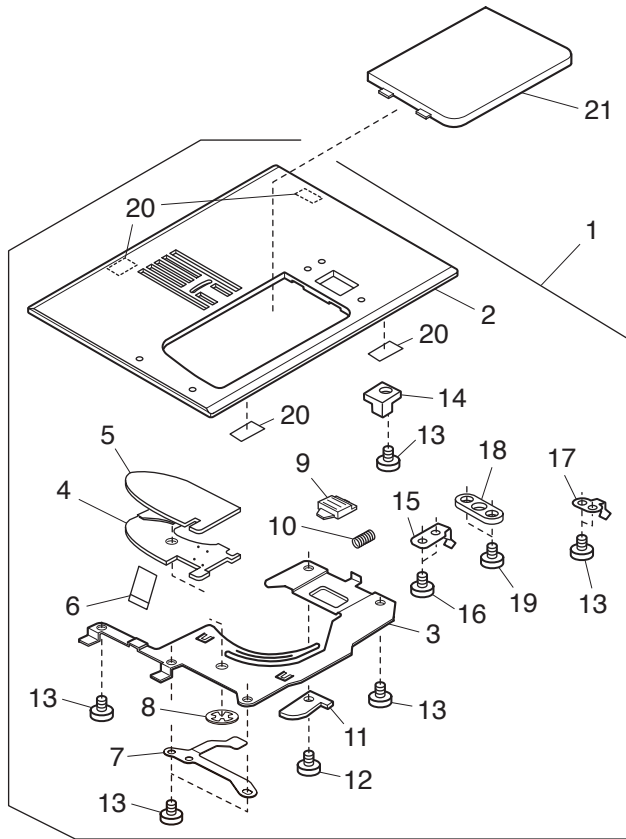
PARTS LIST



PARTS LIST

KEY NO.	PARTS NO.	DESCRIPTION
1	861636118	Bobbin winder (unit)
2	861503034	Bobbin winder
3	861096006	Clutch lever
4	000120203	Setscrew 3x8 (B)
5	861091001	Bobbin winder arm spring
6	861092002	Bobbin winder set plate
7	000001609	Snap ring E-5
8	856512100	Leaf switch (unit)
9	000081706	Setscrew 2.5x5
10	861098008	Guide plate
11	000101105	Setscrew 3x4
12	000081005	Setscrew 4x8
13	809619009	Thread cutter holder (unit)
14	859134000	Carrying handle supporter (rear)
15	859248008	Upper cord guide
16	858113000	Cord guide
17	858145012	Cord guide plate
18	000115607	Setscrew TP 4x8

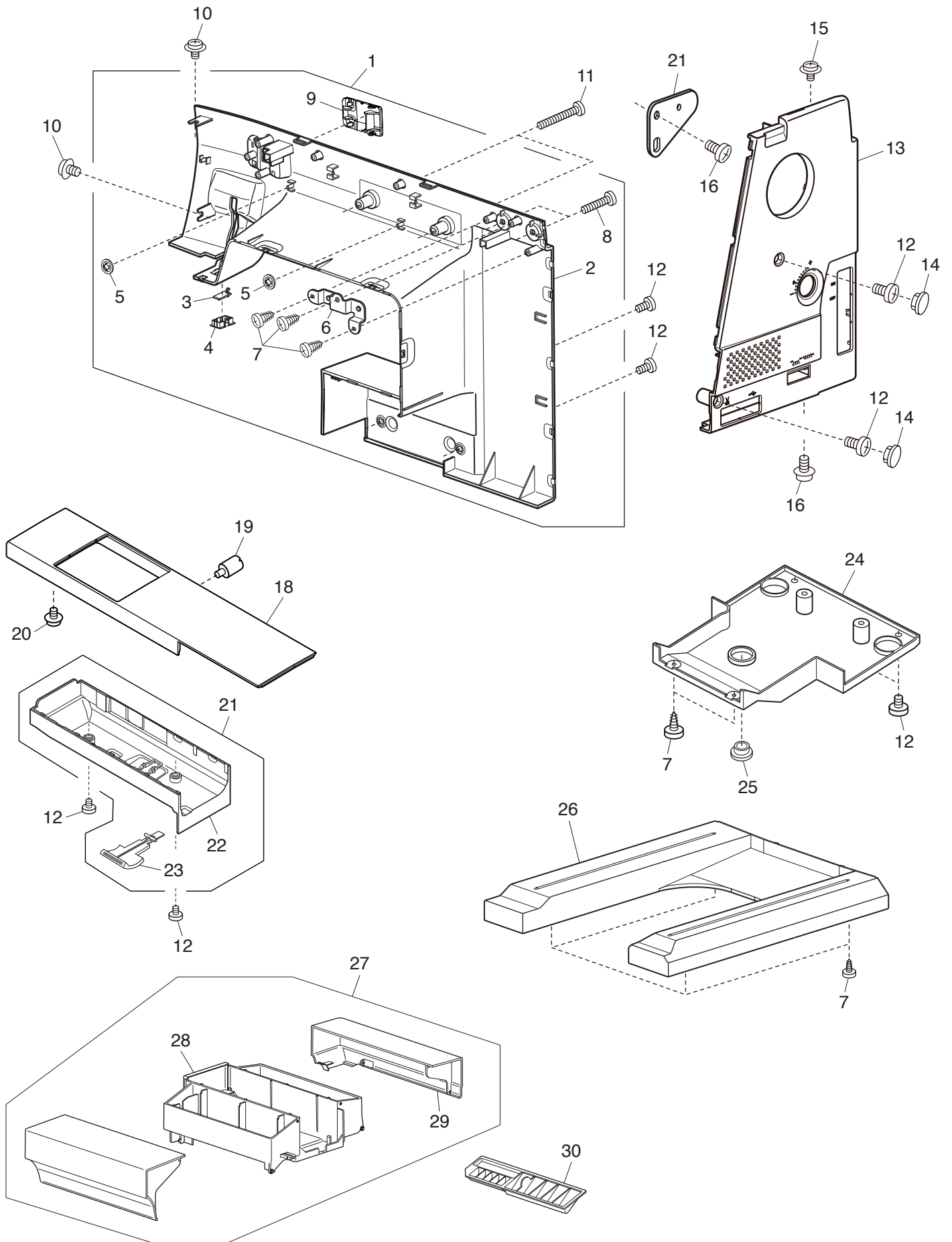
PARTS LIST



PARTS LIST

KEY NO.	PARTS NO.	DESCRIPTION
1	861606016	Needle plate (unit)
2	861013032	Needle plate
3	861014000	Hook cover plate supporter
4	809134005	Hook cover plate supporter base
5	809135006	Guide holder
6	809137008	Cutter
7	809184000	Leaf
8	000014306	Snap ring CS-3
9	825016000	Hook cover plate release button
10	825017001	Spring
11	809044203	Rotation stopper
12	000097613	Setscrew 2x4
13	820374004	Setscrew 2x2.3
14	859046004	Needle plate sensor block
15	859047016	Needle plate spring
16	000169709	Setscrew 2x2.3
17	859245005	Needle plate spring 2
18	859271000	Needle plate supporter
19	000102807	Setscrew 2x4
20	859272104	Rubber sticker
21	809136100	Hook cover plate
22	860003025	Needle plate nut set plate
23	810220106	Setscrew
24	859270009	Needle plate positioning pin
25	000111201	Hexagonal socket screw 4x4
26	859247018	Needle plate adjusting plate
27	859671107	Needle plate sensor (unit)
28	859524104	Micro switch (unit)
29	755096004	Setscrew
30	859246006	Switch set plate
31	000193001	Setscrew TP 4x6
32	858601011	Arm sole (front) (unit)
33	858002005	Arm sole (front)
34	858162004	Spring
35	820350004	Adjusting screw
36	605074008	Rubber foot
37	000014409	Snap ring CS-8
38	000133106	Washer 6
39	000141107	Bushing 6x3
40	000119106	Setscrew TP 4x10
41	000148403	Setscrew 6x12 (S)
42	858601206	Arm sole (rear) (unit)
43	858002201	Arm sole (rear)
44	797363016	Rubber foot
45	000206709	Bushing 4x7
46	000115700	Setscrew TP 4x10
47	858149005	Spacer 1
48	869622001	Rubber foot (unit)
49	000070300	Washer 5
50	784169009	Rubber foot setscrew

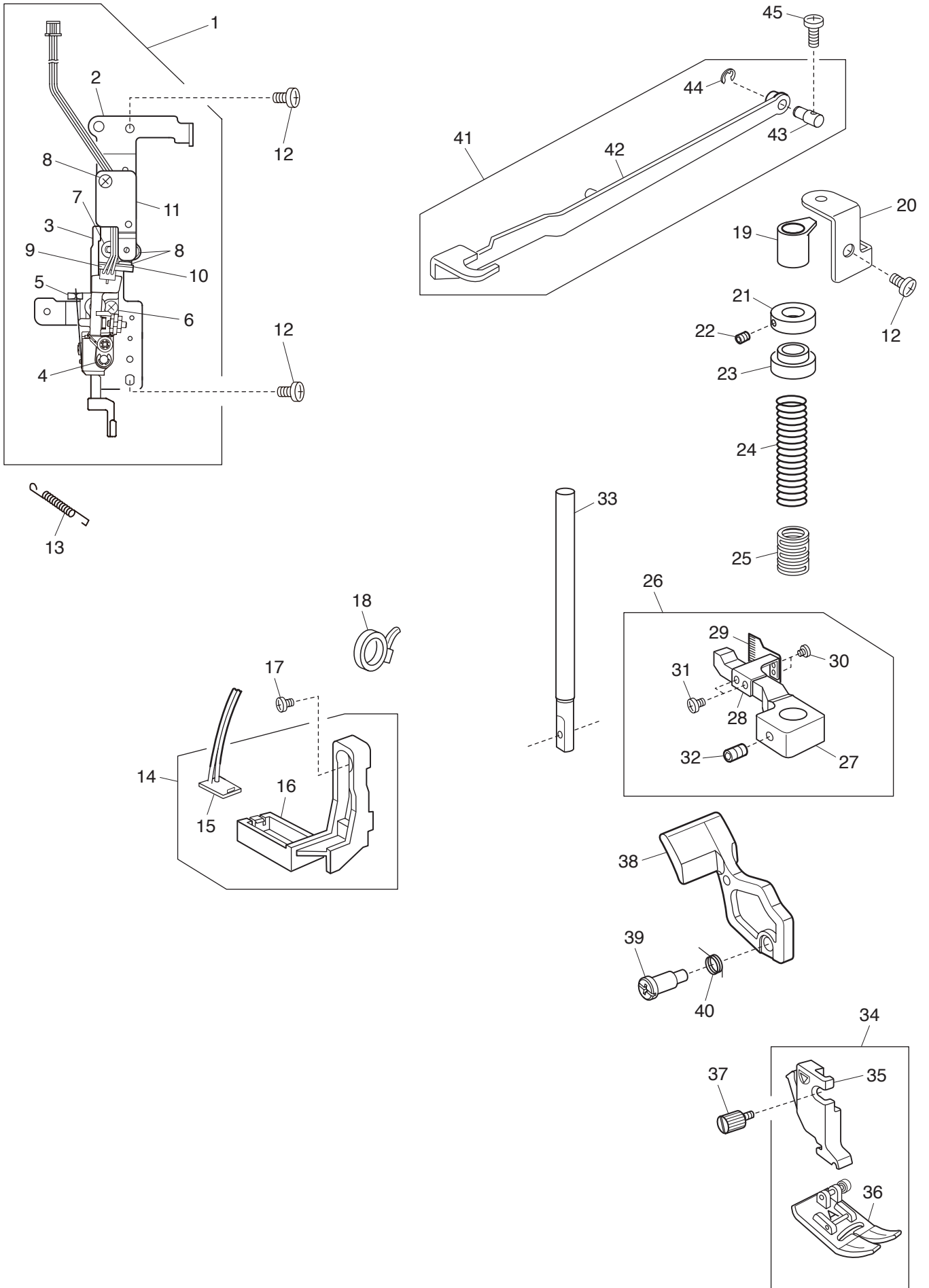
PARTS LIST



PARTS LIST

KEY NO.	PARTS NO.	DESCRIPTION
1	869601107	Rear cover (unit)
2	869002A01	Rear cover
3	865526013	Printed circuit board L2 (unit)
4	860167006	Lamp cover 2
5	000014306	Snap ring CS-3
6	869003000	Spool stand set plate
7	000161206	Setscrew 3x10 (B)
8	000104119	Setscrew 4x20
9	869050002	Ornamental lid
10	000115205	Setscrew TP 4x6
11	000103222	Setscrew 4x30
12	000081005	Setscrew 4x8
13	869047006	Belt cover
14	745033002	Cap
15	000114709	Setscrew TP 3x6
16	000115607	Setscrew TP 4x8
17	858114001	Belt cover retaining plate
18	862150002	Free arm cover
19	858165007	Pin
20	000114710	Setscrew TP 3x6
21	859614009	Bed cover (unit)
22	859039004	Bed cover
23	859040008	Needle plate release lever
24	858137000	Base plate
25	626045407	Cap
26	865002007	Base cover
27	865602A03	Extension table (unit)
28	865004009	Extension table
29	865006001	Extension table lid (rear)
30	858278015	Foot tray

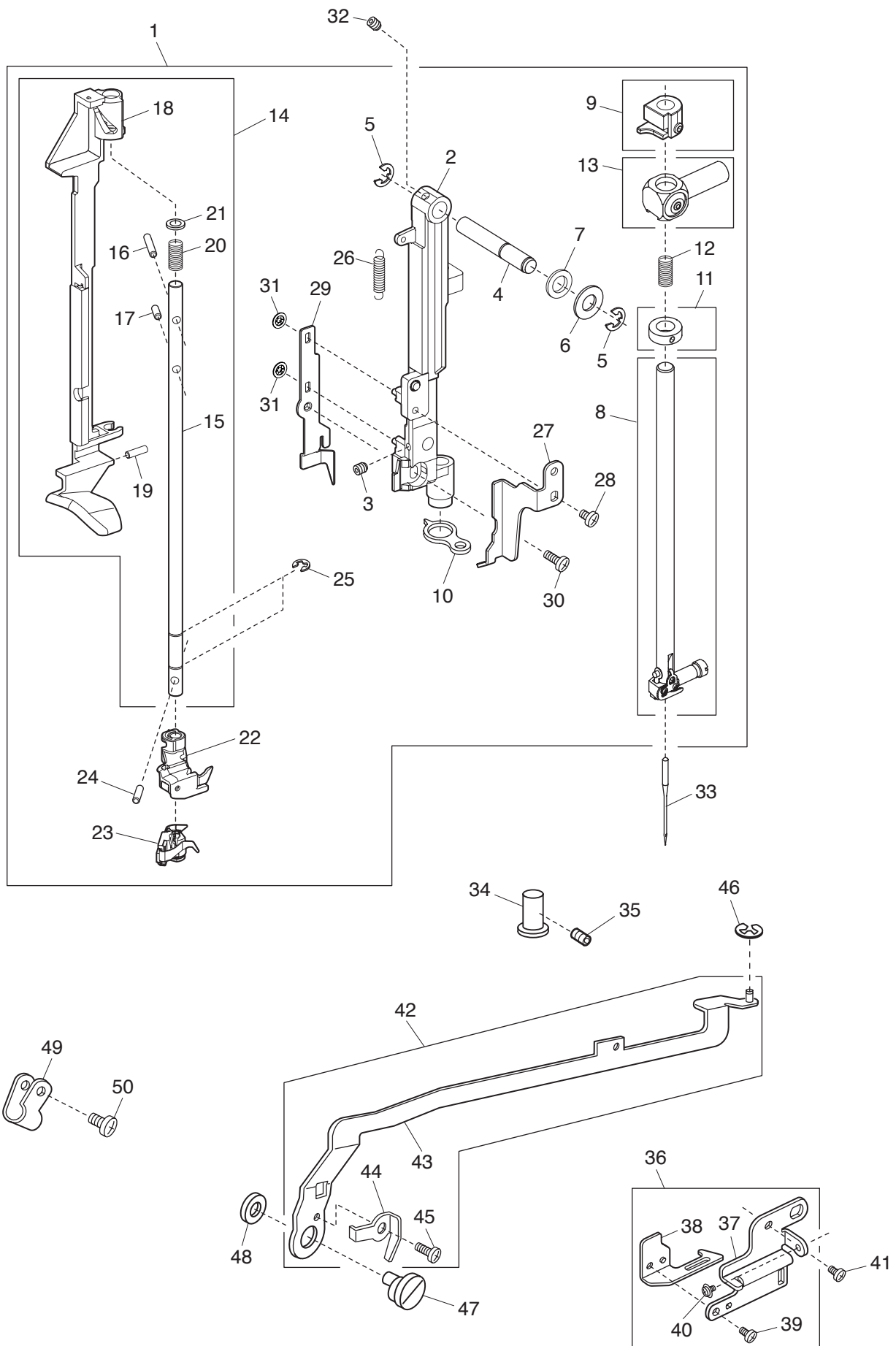
PARTS LIST



PARTS LIST

KEY NO.	PARTS NO.	DESCRIPTION
1	862621216	Front bracket (unit)
2	862045014	Front bracket
3	808673307	Buttonhole lever (unit)
4	000002105	Snap ring E-3
5	830057021	Buttonhole lever guide
6	000103808	Setscrew 3x5
7	846044002	Sensor base plate
8	000101105	Setscrew 3x4
9	852502921	Printed circuit board G1 (unit)
10	853028002	Insulation sheet
11	865030004	Threader base plate set plate
12	000081005	Setscrew 4x8
13	858312001	Needle bar supporter spring
14	861665806	LED cover (unit)
15	865526002	Printed circuit board L2 (unit)
16	859232021	LED cover
17	000078319	Setscrew 3x6
18	000053008	Cord binder
19	652104004	Presser bar bushing
20	859075002	Presser bar bushing plate
21	859076003	Presser foot lifter stopper
22	000216805	Hexagonal socket screw 3x3
23	859077004	Spring supporter
24	859078005	Presser bar spring
25	859210001	Spring supporter
26	859624105	Presser bar supporter (unit)
27	859079017	Presser bar supporter
28	859240000	Shielding plate set plate
29	867175008	Shielding plate
30	000098108	Setscrew 2x3
31	000128603	Setscrew 3x5
32	000111201	Hexagonal socket screw 4x4
33	859082002	Presser bar
34	867819001	Presser foot (unit)
35	867542000	Presser foot holder (unit)
36	859802006	Zigzag foot (unit)
37	858274000	Thumbscrew
38	869048007	Presser foot lifter lever
39	865049006	Setscrew
40	859029001	Spring
41	863639003	Automatic presser foot lifter lever (unit)
42	859069003	Automatic presser foot lifter lever
43	859070007	Presser foot lifter lever shaft
44	000002507	Snap ring E-4
45	000101703	Setscrew 4x12

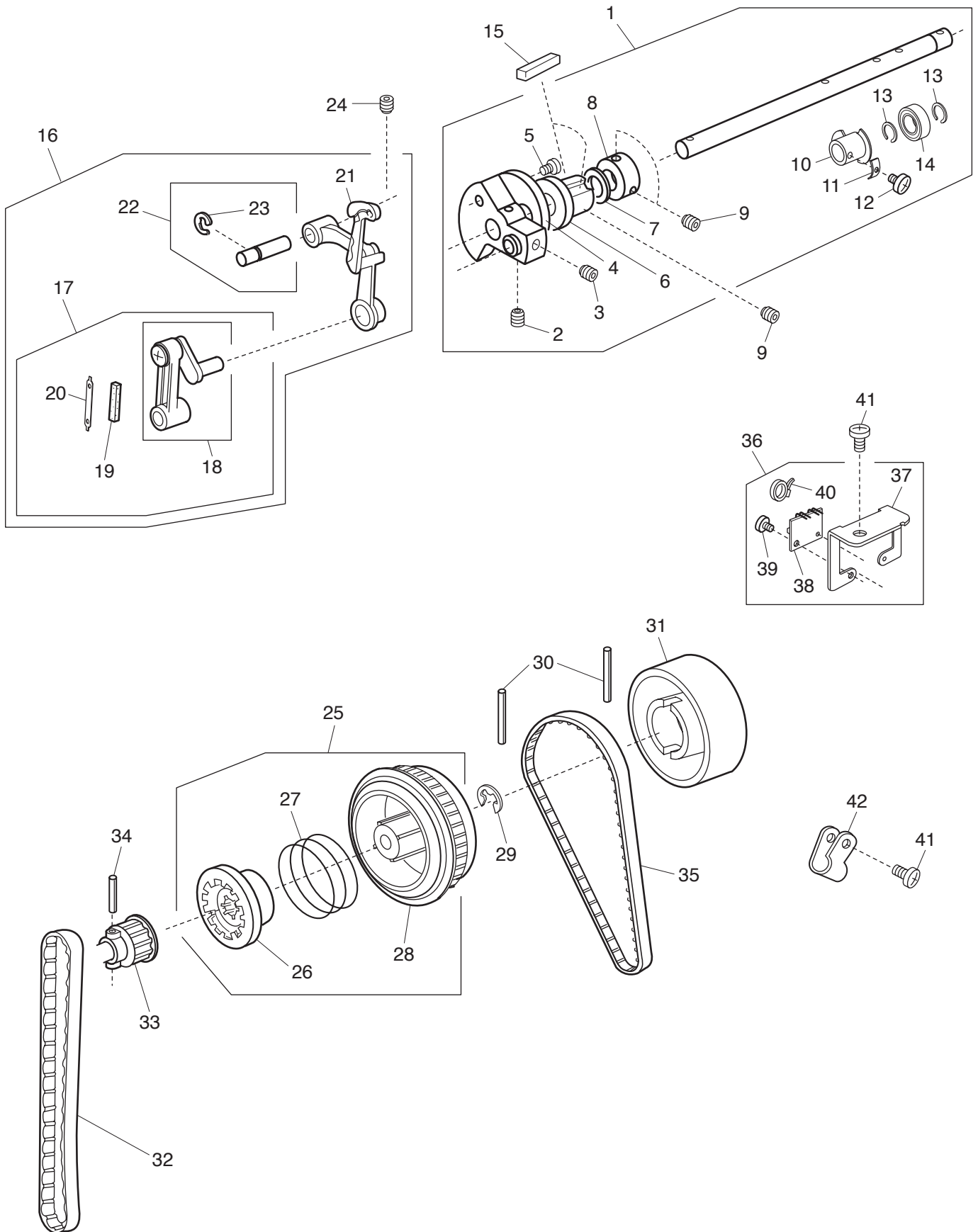
PARTS LIST



PARTS LIST

KEY NO.	PARTS NO.	DESCRIPTION
1	869606009	Needle bar supporter (unit)
2	869021004	Needle bar supporter
3	000111902	Hexagonal socket screw 3x4
4	735144006	Needle bar supporter pin
5	000002507	Snap ring E-4
6	000070609	Washer 6
7	673022002	Washer
8	858538005	Needle bar (unit)
9	858540000	Rotation pin stopper (unit)
10	829027006	Supporter guide plate
11	858541001	Threader guide ring (unit)
12	869022005	Needle bar supporter spring
13	846515009	Needle bar connecting stud (unit)
14	869608001	Threader shaft (unit)
15	869023006	Threader shaft
16	000265500	Spring pin 2x12-CH
17	000265603	Spring pin 2x6-CH
18	869024A01	Threader arm
19	869025008	Cam pin
20	869026009	Needle threader spring
21	539061004	Washer
22	869609002	Thread guide base
23	869610006	Hook holder (unit)
24	000003508	Spring pin 2x8
25	000001207	Snap ring E-2.5
26	869030006	Needle threader return spring
27	869031007	Spring supporter
28	000103808	Setscrew 3x5
29	869037003	Thread release plate
30	000081500	Setscrew 3x12
31	000014100	Snap ring CS-2
32	000111201	Hexagonal socket screw 4x4
33	647814031	Needle
34	827083004	Supporter guide pin
35	000216805	Hexagonal socket screw 3x3
36	862651019	Arm thread guide (unit)
37	862081012	Arm thread guide
38	862133010	Thread guide plate
39	000101105	Setscrew 3x4
40	000114709	Setscrew TP 3x6
41	000078319	Setscrew 3x6
42	859610005	Zigzag width rod (unit)
43	859031017	Zigzag width rod
44	827088009	Zigzag width rod spring
45	820373003	Setscrew 2x3
46	000002105	Snap ring E-3
47	678084100	Eccentric pin
48	000072014	Washer 5
49	000188405	Nylon clip ACC-2
50	000081005	Setscrew 4x8

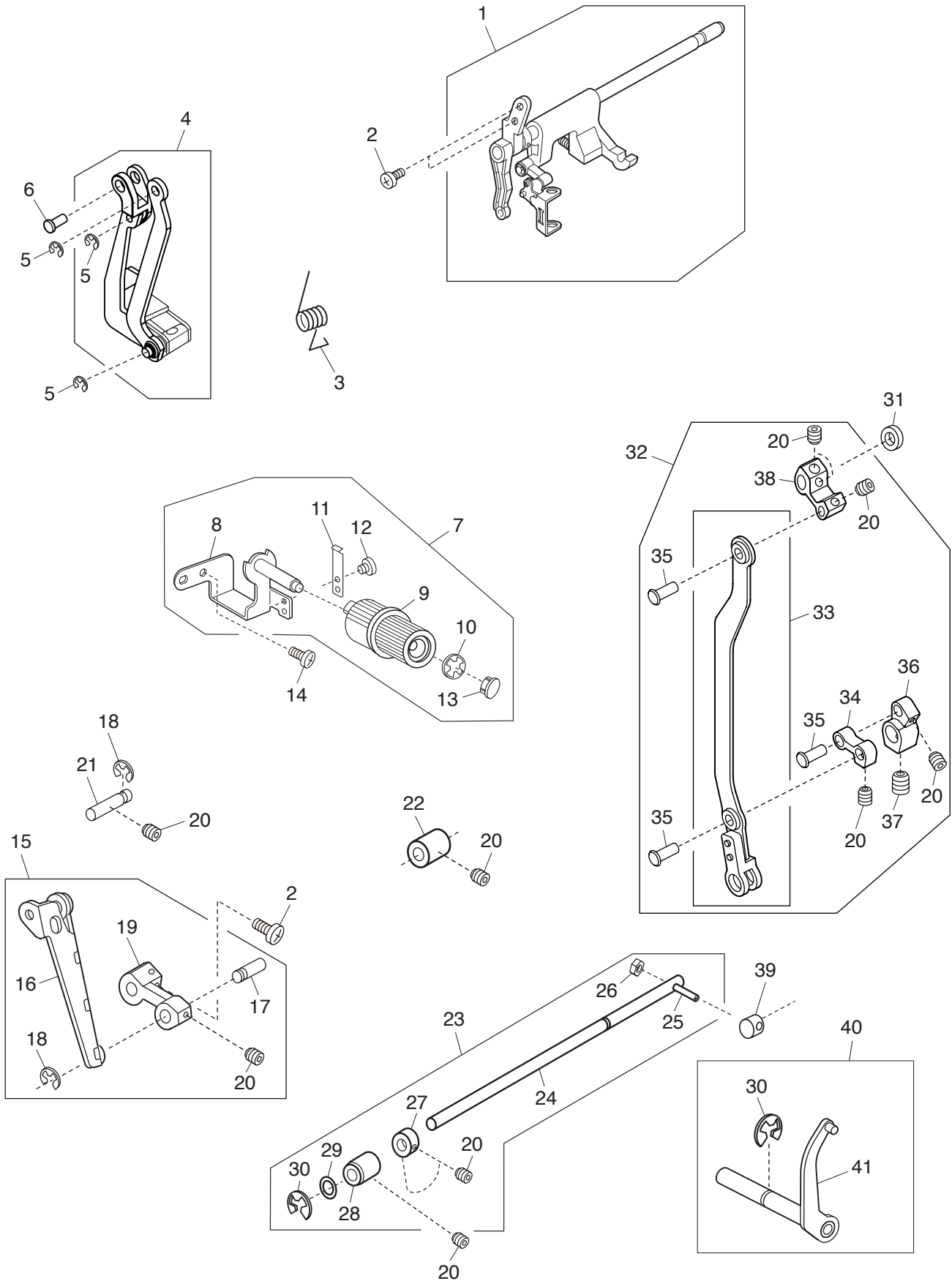
PARTS LIST



PARTS LIST

KEY NO.	PARTS NO.	DESCRIPTION
1	869618004	Upper shaft (unit)
2	000111706	Hexagonal socket screw 5x8
3	000110901	Hexagonal socket screw 5x4
4	859214005	Upper feed lifting cam
5	000078319	Setscrew 3x6
6	670079201	Upper shaft front bushing
7	000040105	Washer
8	767077006	Ring
9	000111304	Hexagonal socket screw 5x5
10	862002008	Upper shaft shield plate
11	859033008	Washer
12	000080406	Setscrew 3x10
13	000032702	Snap ring crescent
14	767178008	Ball bearing
15	731312005	Felt
16	865618002	Thread take-up lever (whole unit)
17	846615103	Needle bar crank (unit)
18	843543007	Needle bar crank pin (unit)
19	650040005	Felt
20	650041006	Spring
21	820511108	Thread take-up lever (unit)
22	650626001	Thread take-up lever pin (unit)
23	000002806	Snap ring E-6
24	000111201	Hexagonal socket screw 4x4
25	858647008	Belt wheel (unit)
26	858053001	Clutch ring
27	502065004	Clutch spring
28	858054002	Belt wheel
29	000030009	Snap ring E-10
30	000024206	Spring pin 3x30
31	858055003	Handwheel
32	846098104	Timing belt 178
33	858052000	Upper shaft gear
34	000004303	Spring pin 3x20
35	858118108	Timing belt 168
36	859646011	Upper shaft sensor (unit)
37	859056018	Sensor set plate
38	843505100	Printed circuit board P (unit)
39	000101105	Setscrew 3x4
40	000053606	Cord binder
41	000081005	Setscrew 4x8
42	000188405	Nylon clip ACC-2

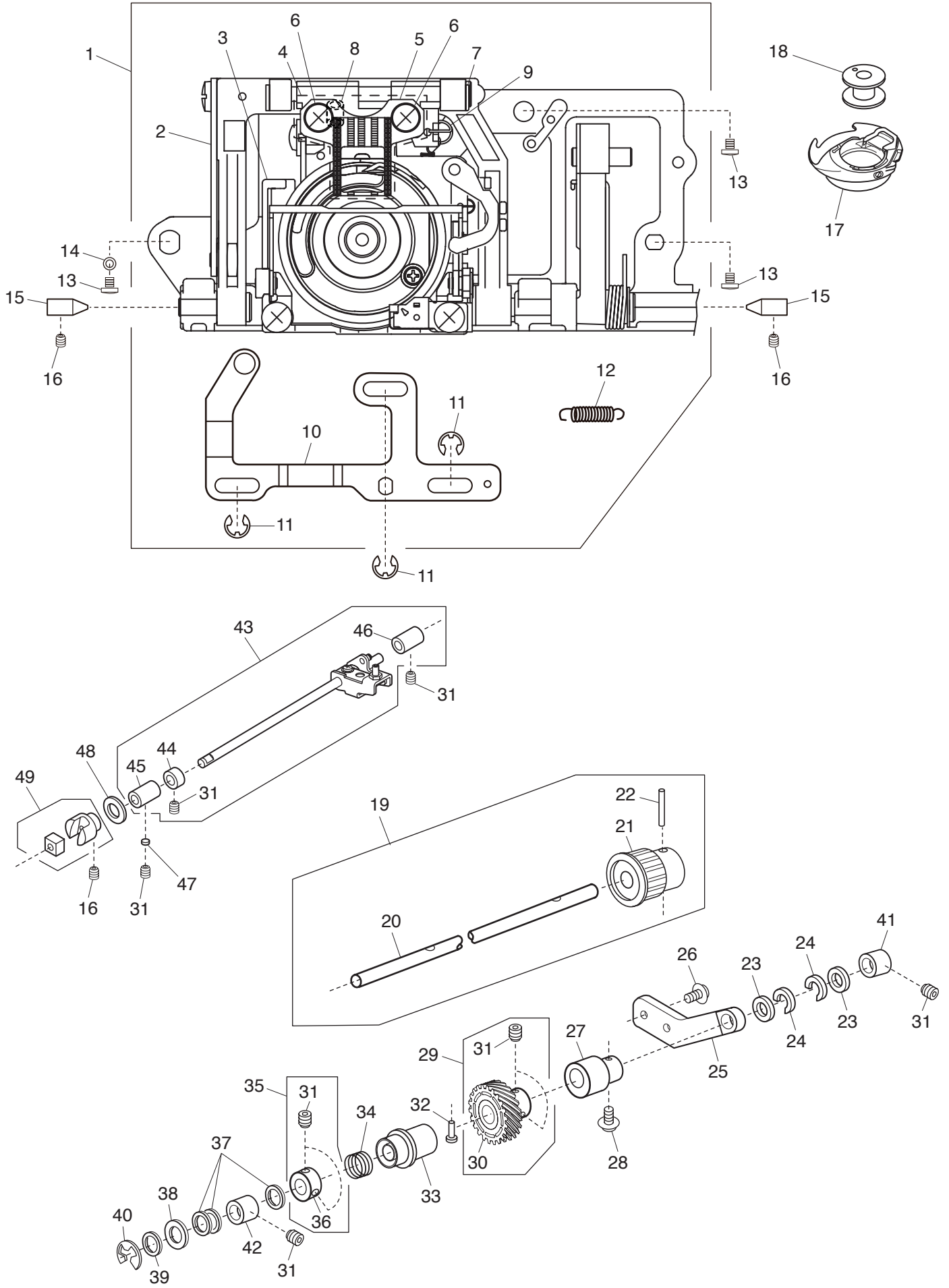
PARTS LIST



PARTS LIST

KEY NO.	PARTS NO.	DESCRIPTION
1	859640004	Upper feed upper shaft (unit)
2	000103509	Setscrew 4x10
3	858156005	Upper feed upper shaft spring
4	859627027	Upper feed foot (unit)
5	000002105	Snap ring E-3
6	846327002	Pin (1)
7	858625000	Upper feed adjusting base plate (unit)
8	858072006	Upper feed adjusting base plate
9	846351005	Upper feed adjusting dial
10	000014007	Snap ring CS-4
11	846353007	Dial leaf
12	000101105	Setscrew 3x4
13	653006101	Cap
14	000081005	Setscrew 4x8
15	858623008	Feed connecting link (unit)
16	858068009	Feed connecting link
17	502258006	Connecting pin
18	000002507	Snap ring E-4
19	846304106	Upper feed lower shaft front arm
20	000111201	Hexagonal socket screw 4x4
21	502258109	Connecting pin
22	784071003	Looper shaft bushing
23	858624009	Upper feed lower shaft (unit)
24	858069000	Upper feed lower shaft
25	846306005	Upper feed lower shaft rear arm
26	000061102	Nut 4-1-7
27	820166001	Lower shaft ring
28	846303002	Upper feed lower shaft bushing
29	000038502	Washer
30	000002806	Snap ring E-6
31	822070003	Felt (1)
32	846580016	Upper feed adjusting arm (unit)
33	846577009	Upper feed connecting link (unit)
34	846349000	Upper feed adjusting link
35	820144003	Pin
36	846350004	Upper feed adjusting arm (1)
37	000111304	Hexagonal socket screw 5x5
38	863111004	Upper feed upper shaft rear arm
39	846348009	Rear arm feed lifting roller
40	858644005	Upper feed adjusting arm 2 (unit)
41	858070004	Upper feed adjusting arm 2

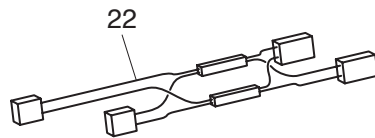
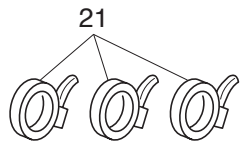
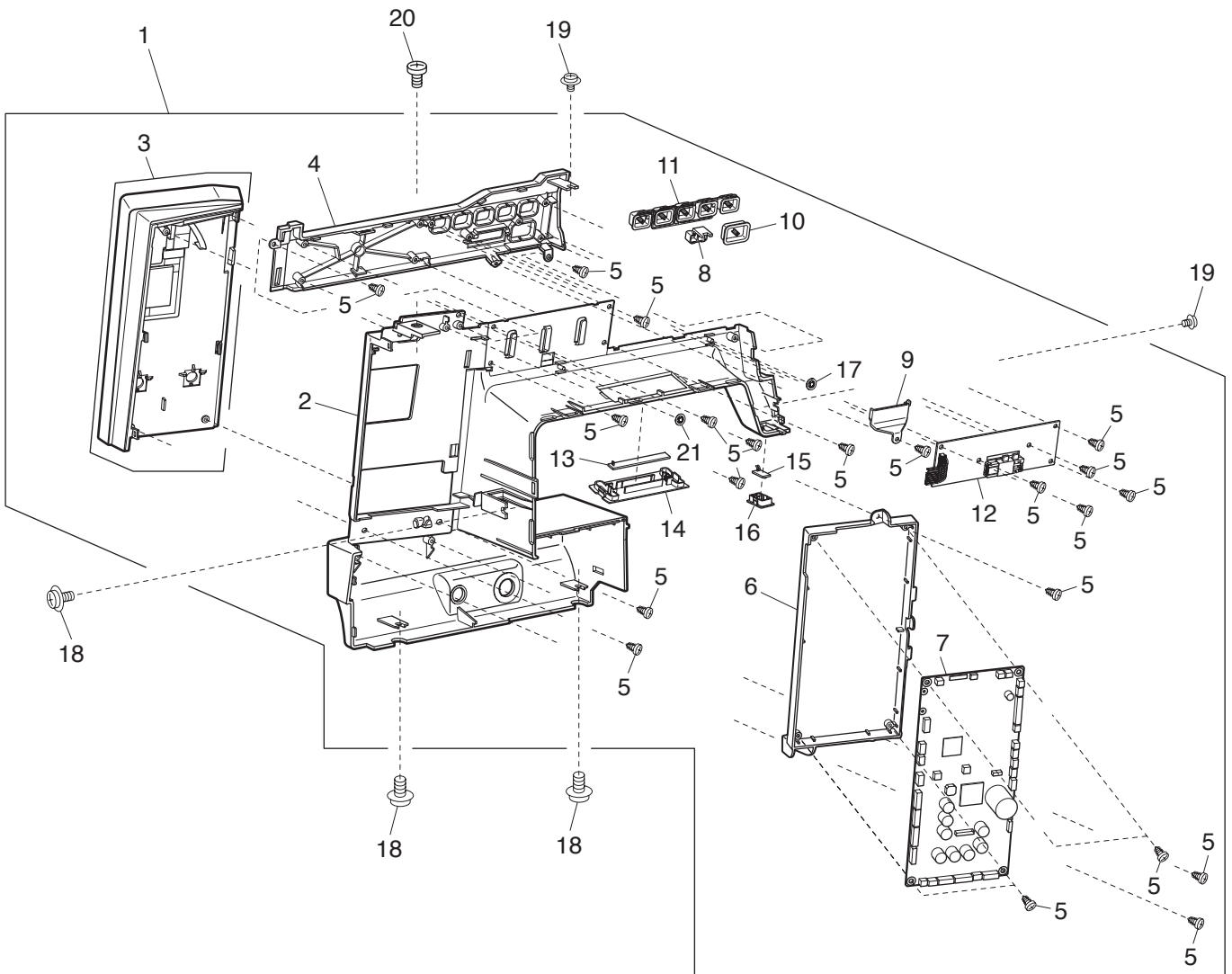
PARTS LIST



PARTS LIST

KEY NO.	PARTS NO.	DESCRIPTION
1	859637112	Feed rock shaft (whole unit)
2	858621006	Feed rock shaft (unit)
3	859638113	Hook race (unit)
4	859639103	Feed dog set base (unit)
5	867033003	Feed dog
6	000104005	Setscrew 3.5x8
7	825099007	Feed dog base shaft
8	000111407	Hexagonal socket screw 4x6
9	825103005	Feed base spring
10	858138001	Drop plate
11	000002105	Snap ring E-3
12	661018008	Spring
13	000081005	Setscrew 4x8
14	000070506	Washer 4
15	738055008	Straight pin
16	000111304	Hexagonal socket screw 5x5
17	846652102	Bobbin holder (unit)
18	102261103	Bobbin
19	858618000	Lower shaft (unit)
20	858056004	Lower shaft
21	650073007	Lower shaft gear
22	000004200	Spring pin 3x18
23	822070003	Felt (1)
24	822112008	Felt holder (1)
25	858058006	Lower shaft supporter
26	000115700	Setscrew TP 4x10
27	846379009	Feed cam
28	000149600	Setscrew 3x14
29	863663006	Lower shaft gear (unit)
30	808137005	Lower shaft gear
31	000111201	Hexagonal socket screw 4x4
32	820161006	Feed lifting pin
33	846103000	Feed lifting cam
34	825093001	Feed lifting cam spring
35	820672005	Lower shaft ring (unit)
36	820166001	Lower shaft ring
37	000038502	Washer
38	735143005	Felt
39	858177002	Washer
40	000002806	Snap ring E-6
41	650079003	Lower shaft bushing (rear)
42	858060001	Lower shaft bushing (front)
43	869623002	Feed shaft (unit)
44	820387000	Ring
45	625144002	Feed shaft bushing (front)
46	650092002	Feed shaft bushing (rear)
47	650175000	Cushion
48	823110009	Felt
49	625508008	Feed regulator (unit)

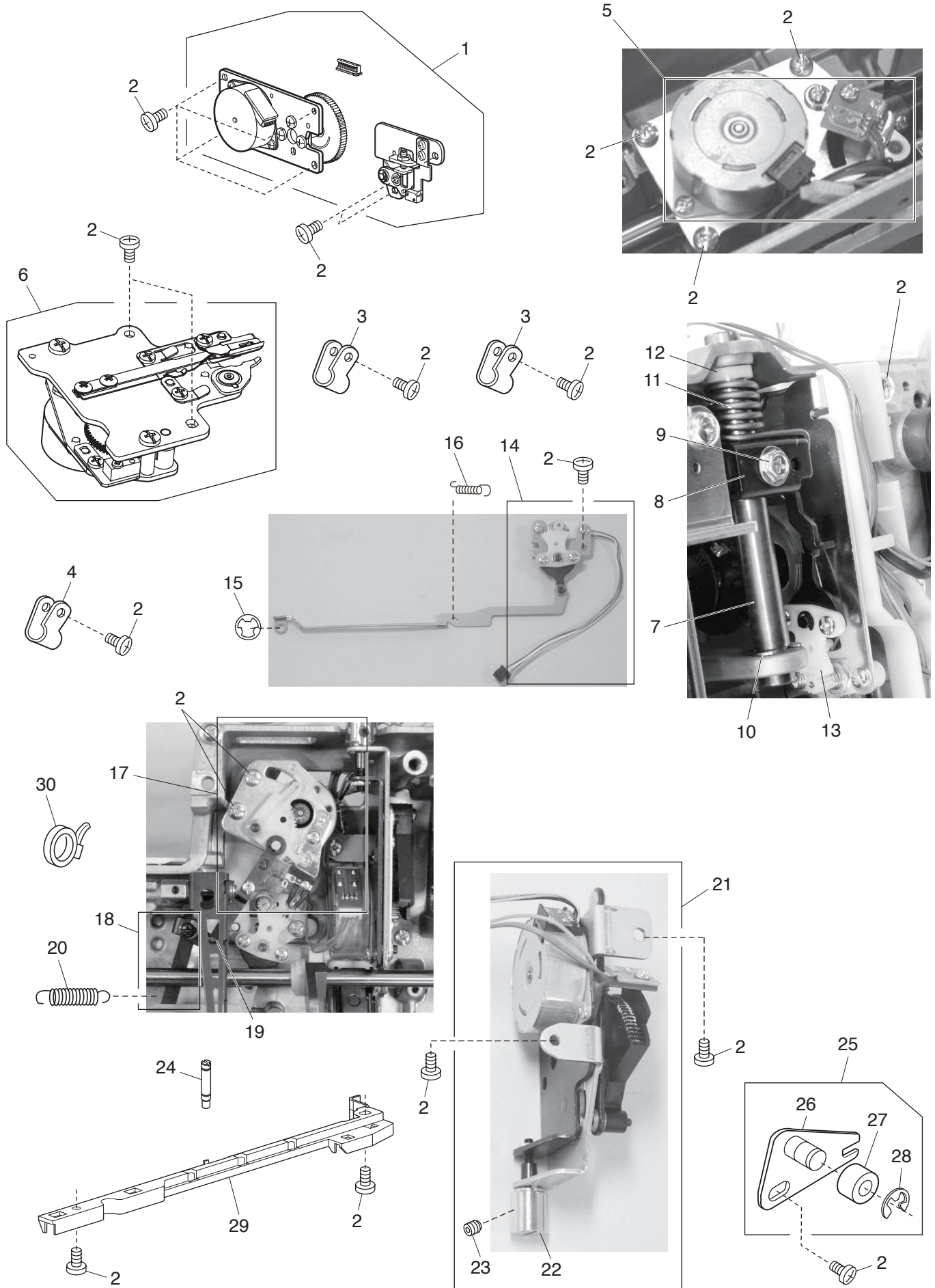
PARTS LIST



PARTS LIST

KEY NO.	PARTS NO.	DESCRIPTION
1	869614103	Front cover (unit)
2	869040A02	Front cover
3	869615104	Display (unit)
4	869042B01	Ornamental panel
5	000120203	Setscrew 3x8 (B)
6	869046005	Printed circuit board A case
7	869413063	Printed circuit board A
8	868035008	Speed control slider
9	869043002	Speed control slider guide
10	869044A01	Start/stop button
11	869045A01	Function button
12	869506008	Printed circuit board F (unit)
13	865525001	Printed circuit board L1 (unit)
14	858106000	LED cover 2
15	865526024	Printed circuit board L2 (unit)
16	860167006	Lamp cover 2
17	000014306	Snap ring CS-3
18	000115607	Setscrew TP 4x8
19	000114710	Setscrew TP 3x6
20	000103417	Setscrew 4x8
21	000053008	Cord binder
22	865503003	Branch cord

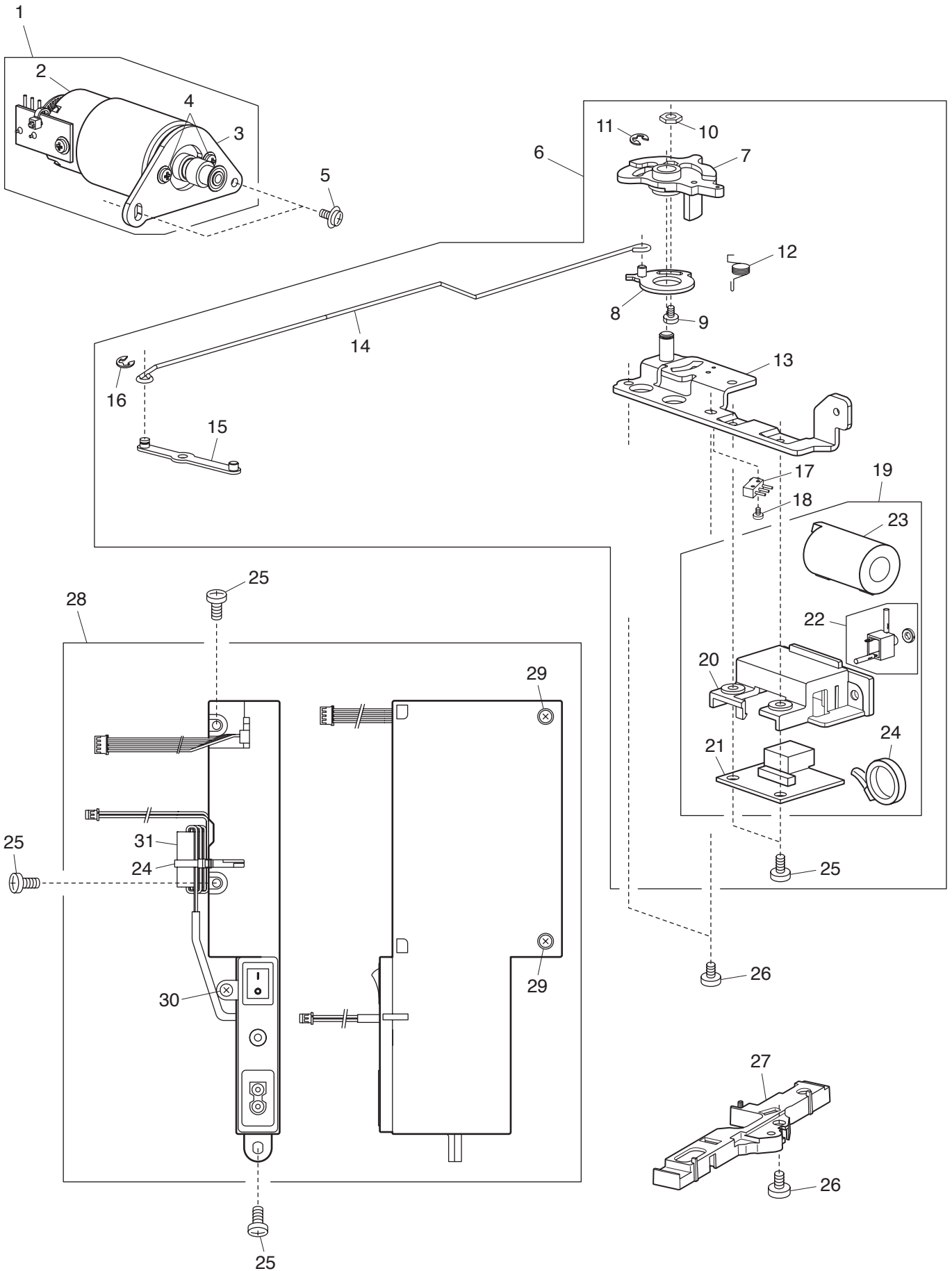
PARTS LIST



PARTS LIST

KEY NO.	PARTS NO.	DESCRIPTION
1	865614101	Presser foot lifter motor (unit)
2	000081005	Setscrew 4x8
3	000188405	Nylon clip ACC-2
4	000188014	Nylon clip ACC-3.5
5	865616000	Zigzag width motor (unit)
6	863638002	Automatic thread cutter (unit)
7	858088108	Knee lifter shaft
8	859021014	Knee lifter stopper
9	000138503	Hexagonal socket bolt screw 5x12
10	000002208	Snap ring E-9
11	859022004	Knee lifter stopper spring
12	846297002	Stopper
13	859609104	Knee lifter sensor (unit)
14	859606204	Sensor set plate (unit)
15	000013707	Snap ring CS-2.4
16	859011000	Spring
17	865617001	Bobbin thread sensor motor (unit)
18	859605007	Arm (unit)
19	000002105	Snap ring E-3
20	865043000	Spring
21	865615009	Feed motor (unit)
22	859215006	Feed balancing dial
23	000110200	Hexagonal socket screw 4x4 (WP)
24	859260006	Pin
25	860608004	Idler (unit)
26	860021007	Idler base
27	625217100	Idler
28	000002806	Snap ring E-6
29	865041008	Cord guide (free arm cover)
30	000053008	Cord binder

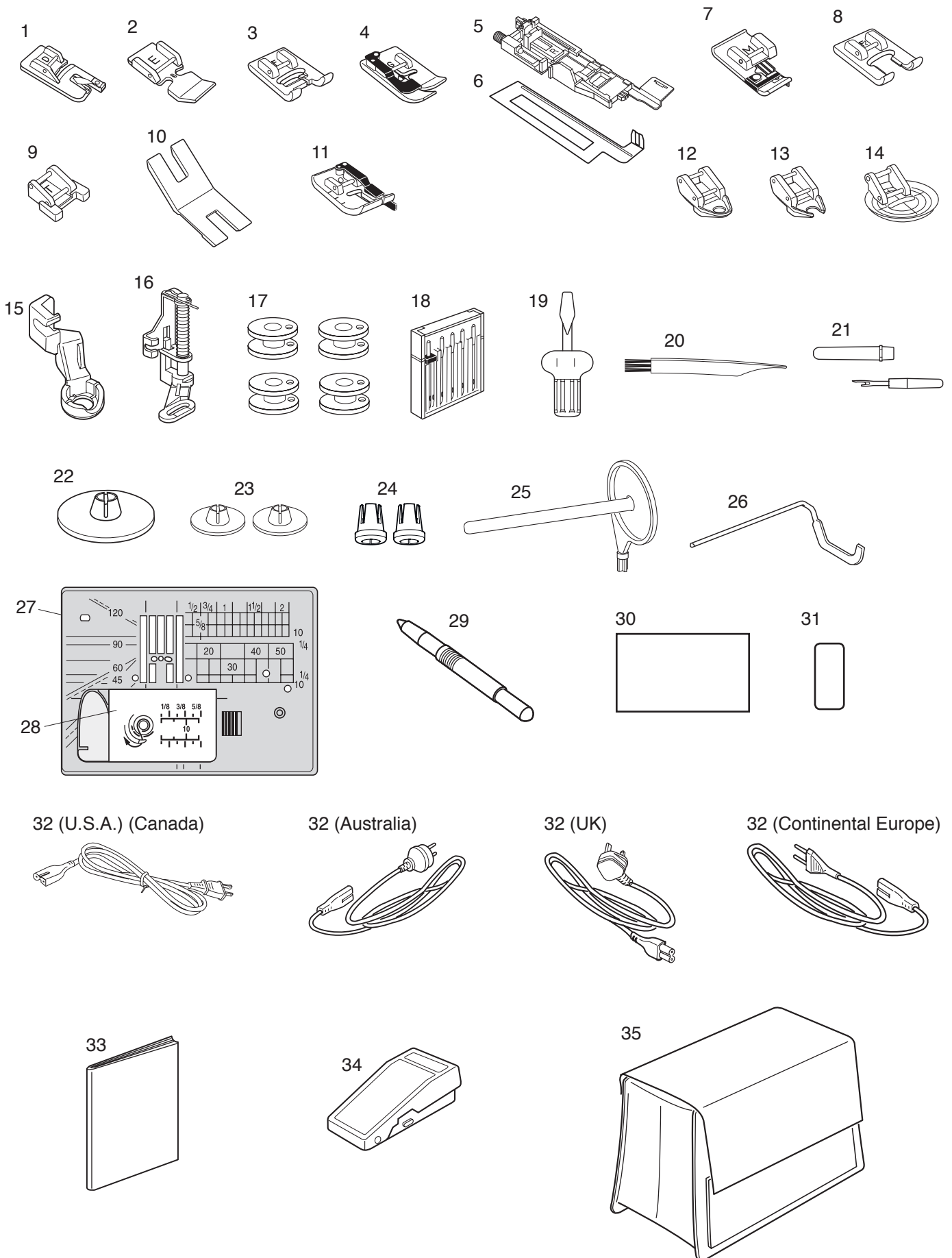
PARTS LIST



PARTS LIST

KEY NO.	PARTS NO.	DESCRIPTION
1	865613007	DC motor (unit)
2	865504004	DC motor
3	858117004	DC motor set plate
4	000115009	Setscrew TP 3x8
5	000115607	Setscrew TP 4x8
6	865612006	Feed dog drop lever (unit) (U.S.A.) (Canada)
	865612109	Feed dog drop lever (unit) (Australia) (UK) (Continental Europe)
7	858143009	Feed dog drop lever
8	858142008	Feed dog drop lever connecting plate
9	000066705	Setscrew 3x8
10	000061803	Nut 3-3-5.5
11	000002507	Snap ring E-4
12	823119008	Spring
13	865039003	Feed dog drop lever base
14	858279005	Rod
15	858139002	Drop connecting plate
16	000002105	Snap ring E-3
17	846513904	Micro switch (unit)
18	000102900	Setscrew 2x8
19	861638109	Printed circuit board B case (unit) (U.S.A.) (Canada)
	861638202	Printed circuit board B case (unit) (Australia) (UK) (Continental Europe)
20	861090000	Printed circuit board B case
21	861507108	Printed circuit board B (unit)
22	861509100	Jack cord (unit) (U.S.A.) (Canada)
	861509203	Jack cord (unit) (Australia) (UK) (Continental Europe)
23	863504008	Ferrite core (Australia) (UK) (Continental Europe)
24	000053101	Cord binder (Australia) (UK) (Continental Europe)
25	000103509	Setscrew 4x10
26	000081005	Setscrew 4x8
27	865040100	Cord guide 2
28	861640908	Switching power supply (unit) (U.S.A.) (Canada)
	861640089	Switching power supply (unit) (Australia) (UK) (Continental Europe)
29	000119704	Setscrew 3x14 (B)
30	000161206	Setscrew 3x10 (B)
31	808108007	Ferrite core (Australia) (UK) (Continental Europe)

PARTS LIST



PARTS LIST

KEY NO.	PARTS NO.	DESCRIPTION
1	859804008	Rolled hem foot D
2	859805009	Zipper foot E
3	859806011	Satin stitch foot F
4	859807001	Blind hemming foot G
5	862822013	Automatic buttonhole foot R
6	859832016	Stabilizer plate
7	859810007	Overcasting foot M
8	859813000	Open toe satin stitch foot F2
9	859811008	Button sewing foot T
10	832820007	Button shank plate
11	859814012	1/4" seam foot O
12	859836009	Free motion quilting foot (closed-toe) QC
13	859837000	Free motion quilting foot (open-toe) QO
14	859812009	Free motion quilting foot (zigzag) QV
15	862896007	Ruler work foot QR
16	859839002	Darning foot (closed-toe) PD-H
17	102261103	Bobbin
18	859856005	Needle case (unit)
19	820832005	Screwdriver
20	802424004	Lint brush
21	647808009	Seam ripper (buttonhole opener)
22	822020503	Spool holder (large)
23	822019509	Spool holder (small)
24	862408008	Spool holder (special)
25	809146000	Additional spool pin
26	755802001	Quilting guide bar
27	862817118	Straight stitch needle plate
28	809136100	Hook cover plate (for straight stitch needle plate)
29	860194002	Touch panel stylus
30	858801002	Caution card
31	101627A07	Threading guide sticker
32	856519004	Power cable (U.S.A.) (Canada)
	830314018	Power cable (Australia)
	830377008	Power cable (UK)
	830335004	Power cable (Continental Europe)
33	869800201	Instruction book (English)
	869800212	Instruction book (French)
34	C-1036	Foot control
35	858802058	Dust cover
	869880021	Carton (UK)
	869889606	Styrofoam set (UK)