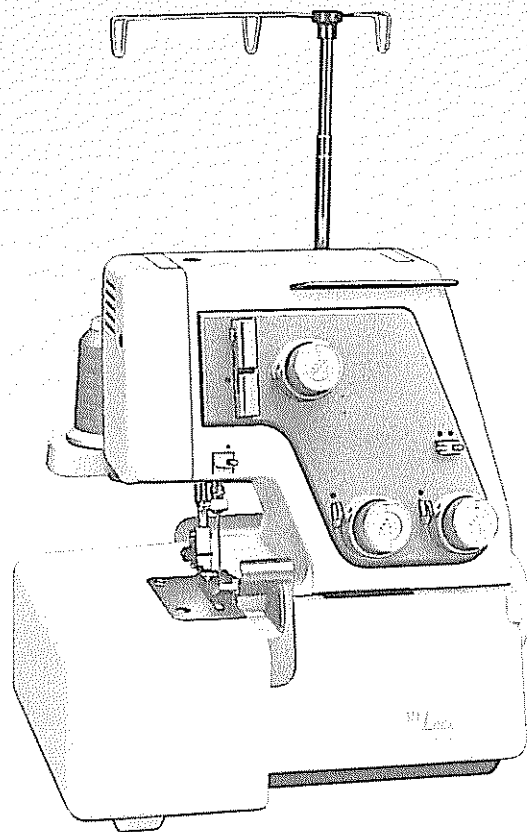


# INSTRUCTION BOOK



**MY/LOCK 203**

# IMPORTANT SAFETY INSTRUCTIONS

Your sewing machine is designed and constructed only for HOUSEHOLD use. Read all instruction before using this sewing machine.

## **DANGER** — To reduce the risk of electric shock:

1. An appliance should never be left unattended when plugged in. Always unplug this appliance from the electric outlet immediately after using and before cleaning.
2. Always unplug before relamping. Replace bulb with same type rated 15 Watts.
3. Do not reach for the appliance that has fallen into water. Unplug immediately.
4. Do not place or store appliance where it can fall or be pulled into a tub or sink. Do not place in or drop into water or other liquid.

## **WARNING** — To reduce the risk of burns, fire, electric shock, or injury to persons.

1. Do not allow to be used as a toy. Close attention is necessary when this appliance is used by or near children.
2. Use this appliance only for its intended use as described in this manual. Use only attachments recommended by the manufacturer as contained in this manual.
3. Never operate this appliance if it has a damaged cord or plug, if it is not working properly, if it has been dropped or damaged, or dropped into water. Return the appliance to the nearest authorized dealer or service center for examination, repair, electrical or mechanical adjustment.

4. Never operate the appliance with any air opening blocked. Keep ventilation openings of the sewing machine and foot controller free from accumulation of lint, dust, and loose cloth.
5. Never drop or insert any object into any opening.
6. Do not use outdoors.
7. Do not operate where aerosol (spray) products are being used or where oxygen is being administered.
8. To disconnect, turn all controls to the off ("O") position, then remove plug from outlet.
9. Do not unplug by pulling on cord. To unplug, grasp the plug, not the cord.
10. Keep fingers away from all moving parts. Special care is required around the sewing machine needle and blades.
11. Always use the proper needle plate. The wrong plate can cause the needle to break.
12. Do not use bent needles.
13. Do not pull or push fabric while stitching. It may deflect the needle causing it to break.
14. Switch the sewing machine off ("O") when making any adjustment in the needle area, such as threading needle, changing needle, threading bobbin, or changing presser foot, and the like.
15. Always unplug the sewing machine from the electrical outlet when removing covers, lubricating, or when making any other user servicing adjustments mentioned in the instruction manual.

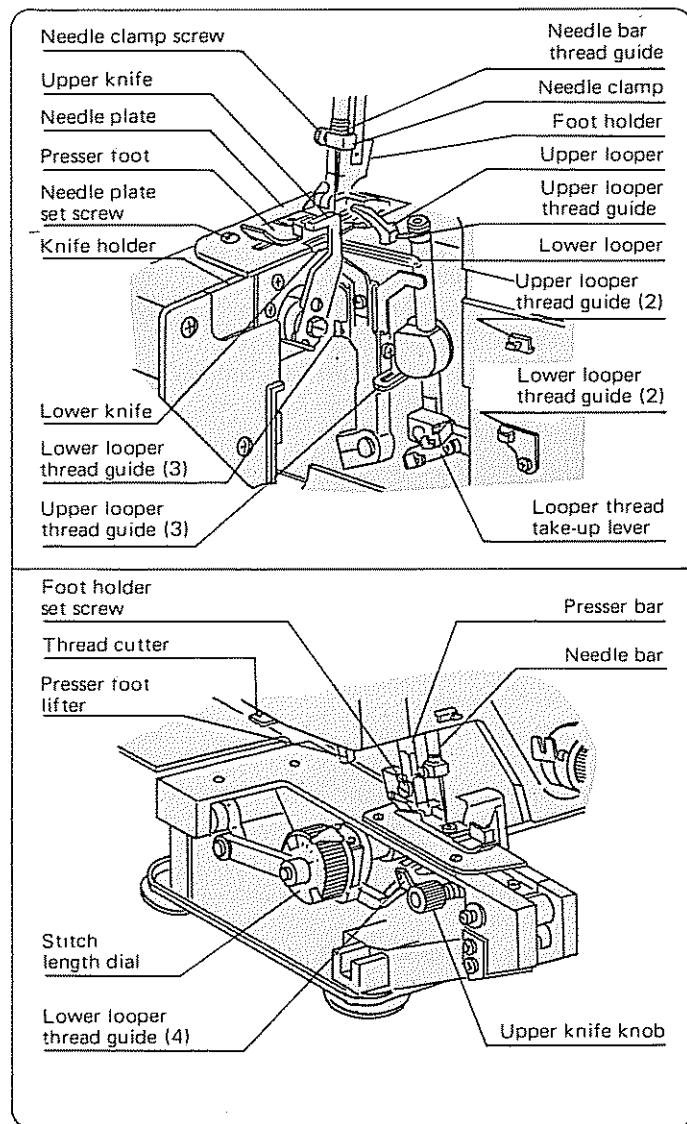
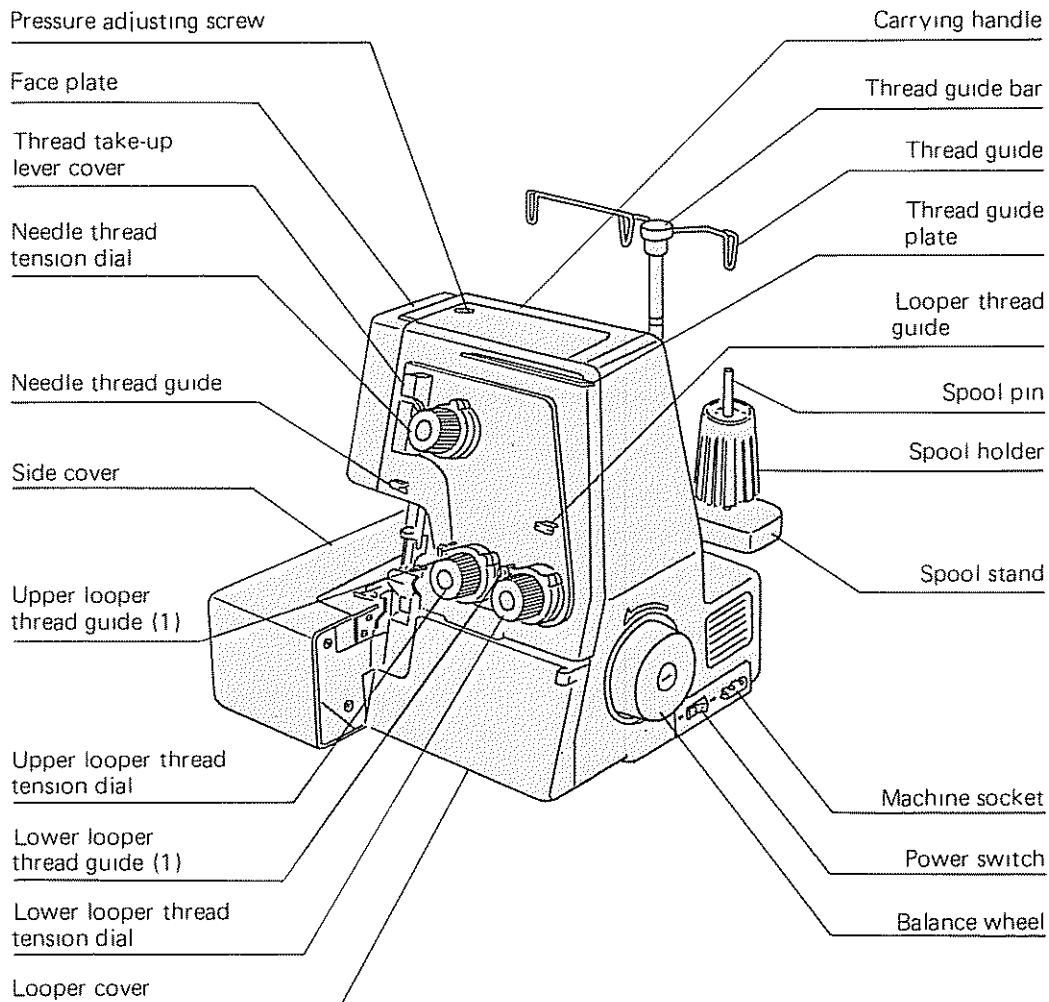
## **SAVE THESE INSTRUCTIONS**

## TABLE OF CONTENTS

<b>Preparation</b>			
Names of Parts	2	Adjusting Seam Width	23
Standard Accessories	3	Thread and Needle Chart	24
Attaching the Waste Chip Box (Optional Extra)	3	<b>Rolled Hemming, Picot Edging and Narrow Hemming</b>	
Storing the Accessory Box (Optional Extra)	3	Machine Setting	25
Connecting the Machine to the Power Supply	4	Thread, Fabric and Range of the Tension Dial	26
Controlling Sewing Speed	4	Adjusting Thread Tension	27
How to Turn Balance Wheel	5	How to Adjust the Thread Tension	27
Opening and Closing the Side Cover	5	<b>Decorative Overedging</b>	
Opening and Closing the Loper Cover	5	Thread, Fabric, Range of the Tension and Machine Setting	28
The Position of Thread Guide Bar	6	<b>Pin Tucking</b>	
Attaching the Thread Stripping Disc and Net	6	Fabric, Thread and Machine Setting	29
Raising or Lowering the Presser Foot	7	Sewing	29
Threading the Machine	7	<b>Care of Your Machine</b>	
• Threading the Lower Loper	8~9	Replacing the Upper Knife	30
• Threading the Upper Loper	10~11	Cleaning Upper Knife Areas	31
• Threading the Needle	12~13	Cleaning the Feed Dog	31
		Replacing the Light Bulb	32
		Oiling the Machine	33
		Trouble Shooting	34
<b>Test Stitching</b>			
Starting Sewing	14		
Finishing Sewing	14		
Sewing Continuously	14		
Securing Ends	15~16		
Thread Tension	17~18		
Adjustment of Stitch Length	19		
Adjustment of Foot Pressure	19		
Removing the Presser Foot	20		
Attaching the Presser Foot	20		
Changing Needle	21		
To Deactivate the Upper Knife	21		
To Activate the Upper Knife	22		
Types of Needle Plates	22		
Changing the Needle Plate	23		

# PREPARATION

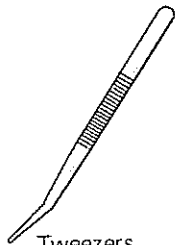
## Names of Parts



## Standard Accessories



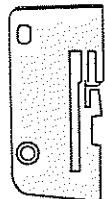
Screwdriver



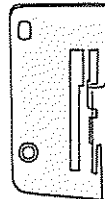
Tweezers



Set of needles



Needle plate  
(wide seam)



Rolled hemming  
needle plate



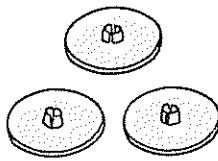
Lint brush



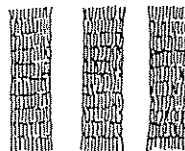
Oil



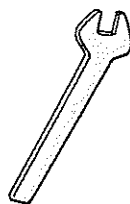
Upper knife



Thread stripping  
discs



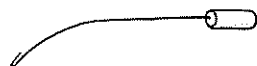
Nets



Spanner

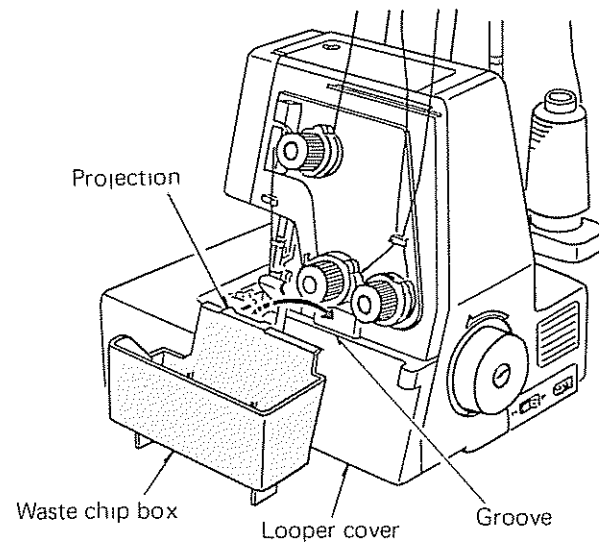


Needle threader



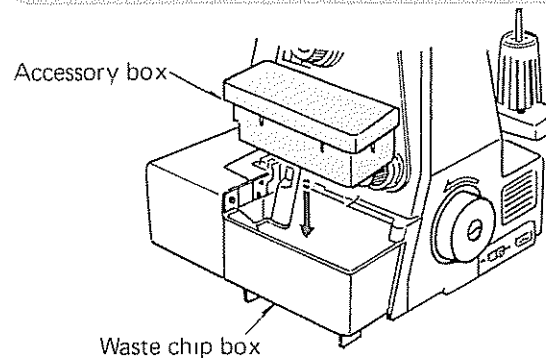
Looper threader

## Attaching the Waste Chip Box (Optional Extra)



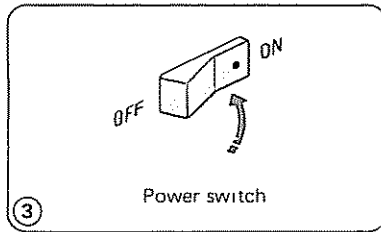
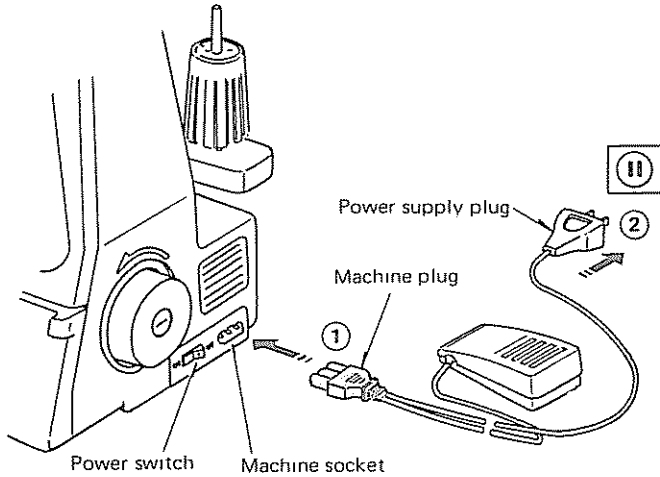
Insert the projection into groove on looper cover.

## Storing the Accessory Box (Optional Extra)



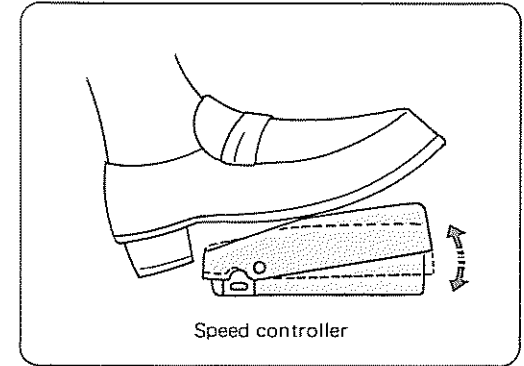
Insert the accessory box into the waste chip box.

## Connecting the Machine to the Power Supply



- ① Turn off the power switch, and connect the machine plug to the machine socket.
- ② Connect the power supply plug to your power supply.
- ③ Turn on the power switch.

## Controlling Sewing Speed



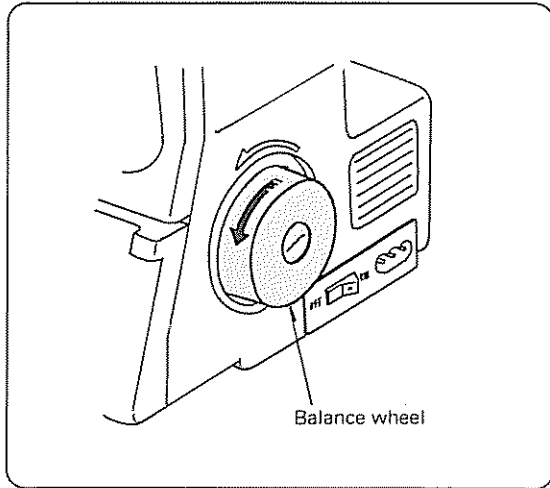
Sewing speed can be varied by the speed controller. The harder you press on the controller, the faster the machine runs.

Step on speed controller with presser foot lifter up, and practice controlling the speed.

### For Your Safety:

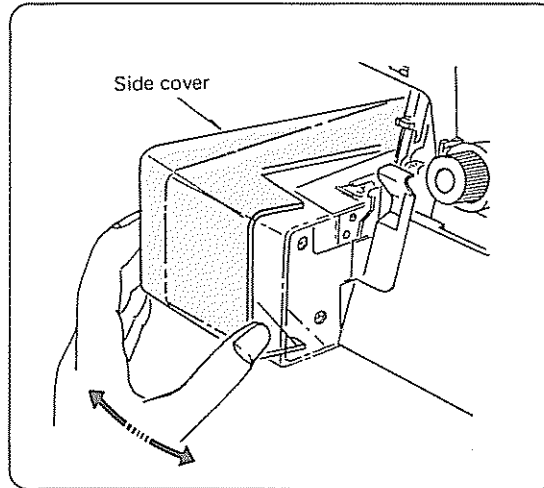
- \* While in operation, always keep your eye on the sewing area, and do not touch any moving parts such as the thread take-up lever, balance wheel, needle or knives.
- \* Always turn off the power switch, and unplug from the power supply:
  - When leaving the machine unattended.
  - When attaching or removing parts.
  - When cleaning the machine.
- \* Do not place anything on the speed controller, except in use.

### How to Turn Balance Wheel



Always turn balance wheel toward you.

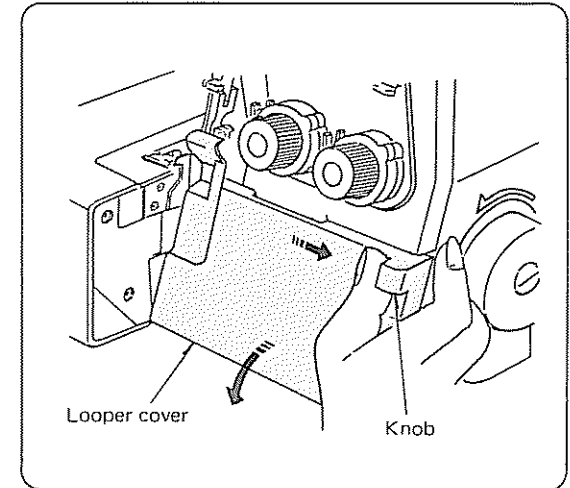
### Opening and Closing the Side Cover



To open:  
Push the side cover to the left.

To close:  
Push the side cover to the right and slightly toward the machine body.

### Opening and Closing the Looter Cover



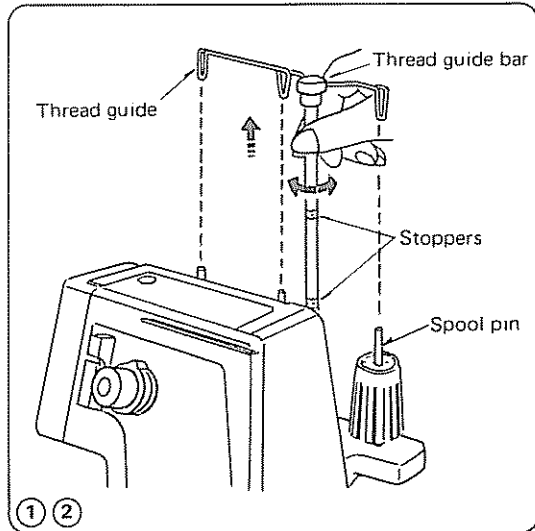
To open:  
While pushing the knob to the right as far as it will go, pull looper cover toward you.

To close:  
Lift looper cover and push against the machine. The looper cover snaps into the position automatically.

### For Your Safety:

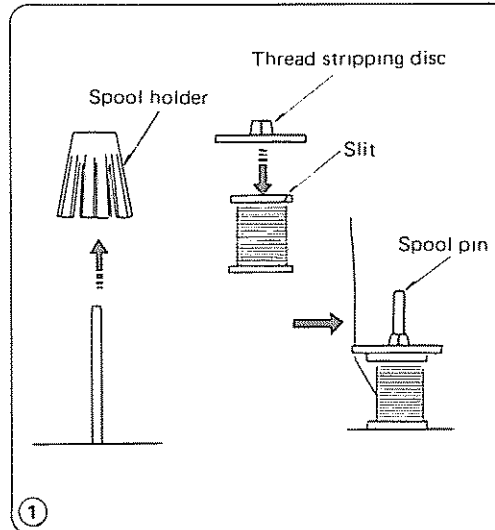
Always close the both side and looper covers when the machine is in use.

## The Position of Thread Guide Bar

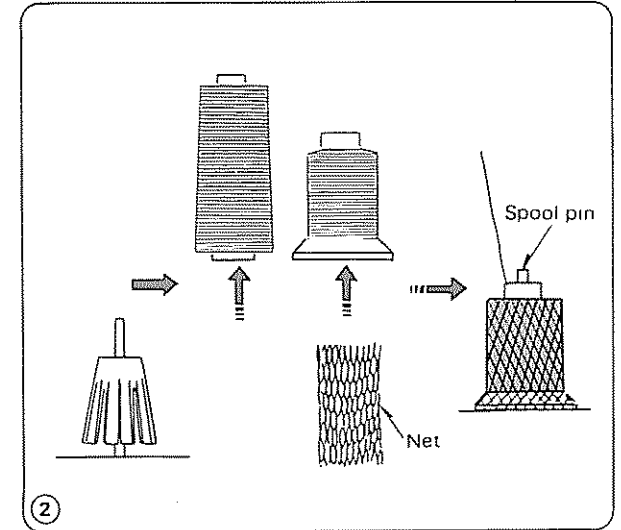


- 1 Pull the thread guide bar up as far as it will go.
- 2 Turn the thread guide bar so that the thread guides come right above the spool pins.

## Attaching the Thread Stripping Disc and Net



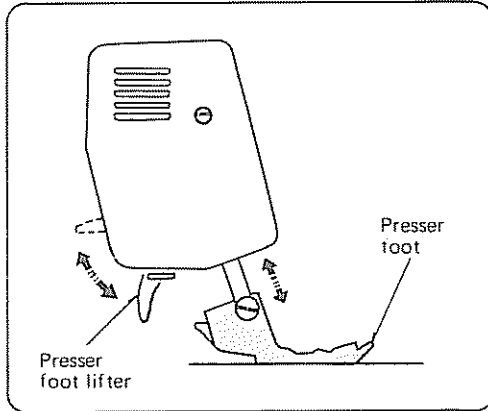
- 1 When you use a small thread spool, pull out the spool holder from the spool pin. Then place the spool with its slit side up, and put the thread stripping disc on top.



- 2 If the thread would slip down from the spool during threading and/or sewing, put a net on the spool as illustrated for preventing jamming. The nets are supplied with the machine.



## Raising or Lowering the Presser Foot

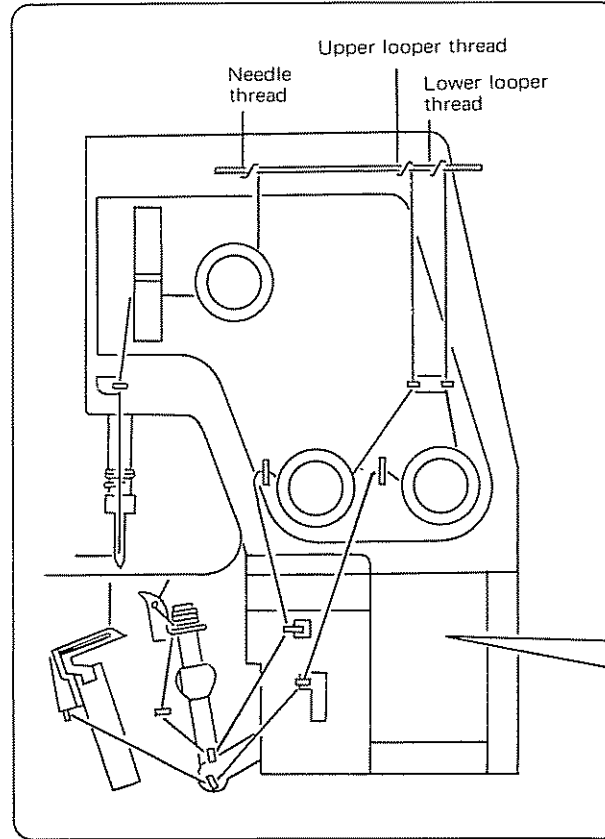


By raising or lowering the presser foot lifter, the presser foot goes up and down respectively.

\* While in operation, keep the presser foot lowered except for testing stitches, threading the machine or sewing heavy weight fabrics.

Thread tension will not be released even if the presser foot is raised.

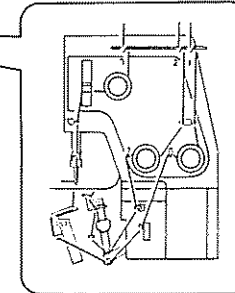
## Threading the Machine



The machine has been threaded and ends of threads have been cut at the factory. To thread the machine knot the end of thread, then pull the other end of thread. For needle thread, pull the other end of thread until knot comes to needle eye, and cut the thread at the both sides of the knot. Then thread the needle eye with the needle threader. (Refer to page 13.) This way you can save a time for threading.

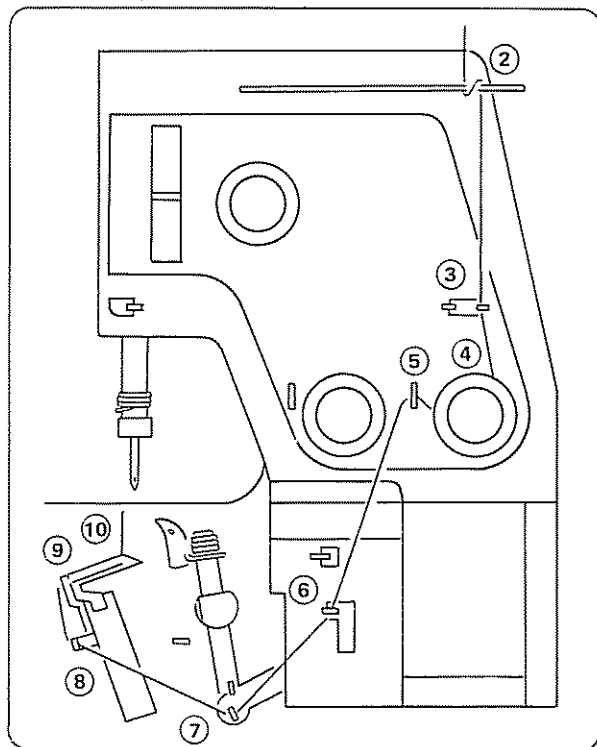
Thread lower looper first, then upper looper, and needle at the last if the machine is unthreaded. A convenient threading chart is placed on the machine body inside the looper cover.

Incorrect threading will cause of skipped stitch, broken thread or uneven thread tension. Before starting to sew, make sure that your machine is threaded properly.



Threading Chart

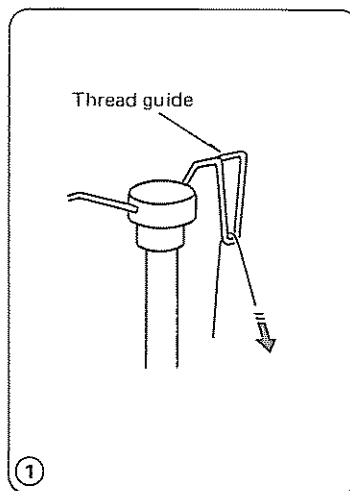
● Threading the Lower Looper



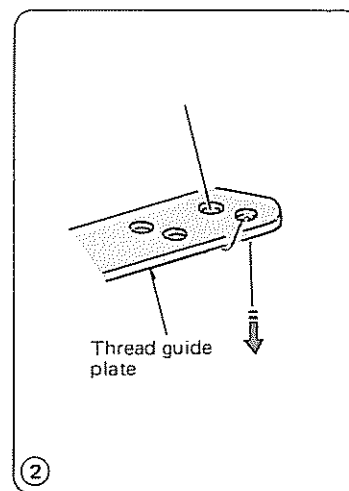
Open the looper and side covers.

Place the spool of thread on the right side spool pin.

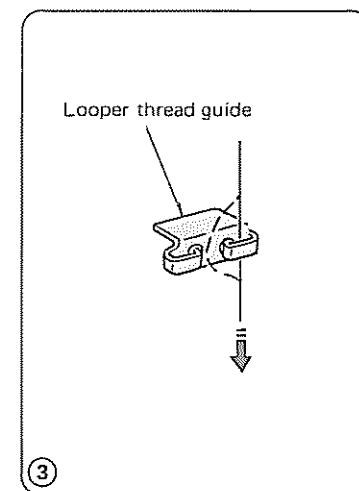
\* The points to thread for lower looper are marked in green.



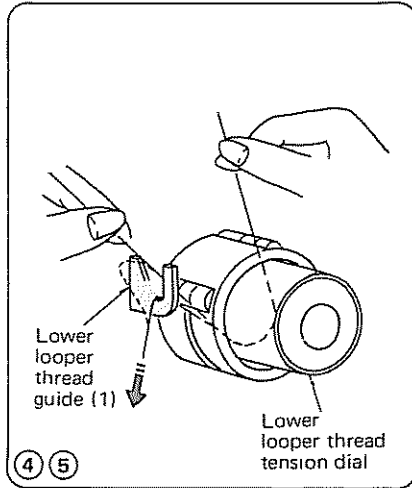
① Draw the thread through the right side thread guide from back to front.



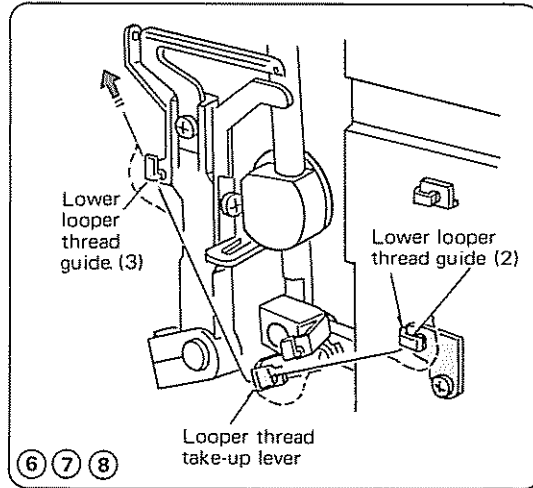
② Pass the thread through the holes on the right side of thread guide plate as illustrated.



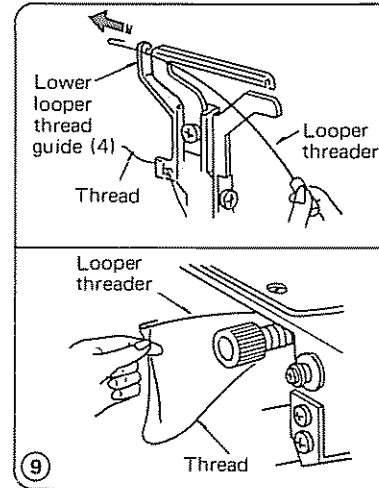
③ Pass the thread through the right side of thread guide sliding the thread from left to right.



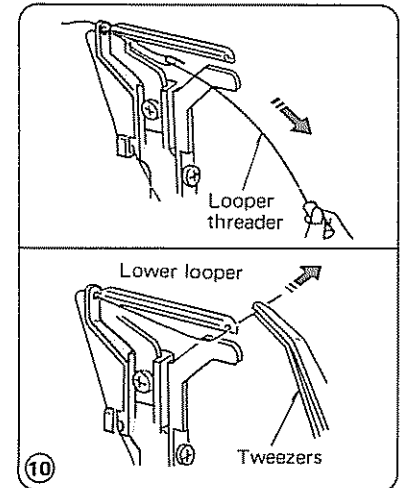
- ④ Insert the thread between tension discs from the right. Then pull the both sides of the thread.
- ⑤ Pass the thread through lower looper thread guide (1).



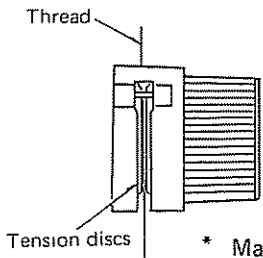
- ⑥ Pass the thread through the thread guide (2).
- ⑦ Pass the thread through the looper thread take-up lever (lower).
- ⑧ Pass the thread through the thread guide (3).



- ⑨ Turn the balance wheel toward you until the lower looper comes to the right, and pass the threader through hole on lower looper thread guide (4). Then hook the end of thread on the threader.

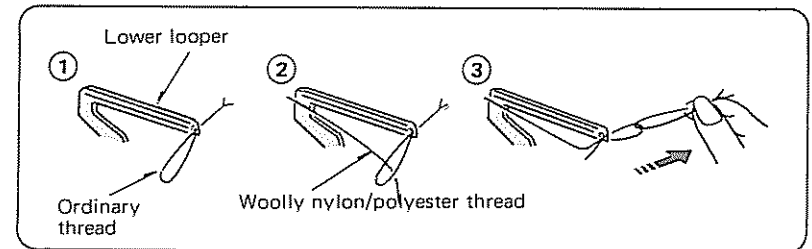


- ⑩ Pull the threader to pass the thread through the hole of lower looper thread guide (4). Remove the thread from the threader, and draw the thread through the hole on lower looper 10 cm (4") or more.



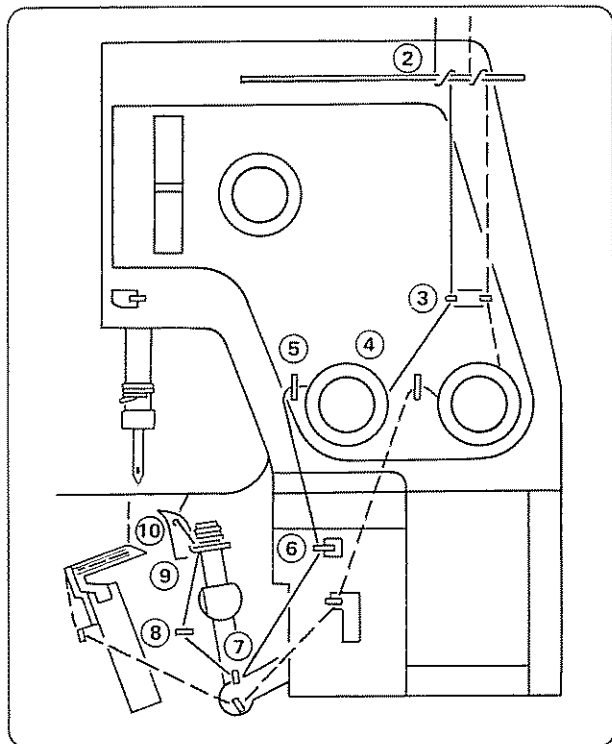
\* Make sure that the thread is between the tension discs.

### How to Thread the Woolly Nylon/Polyester Thread



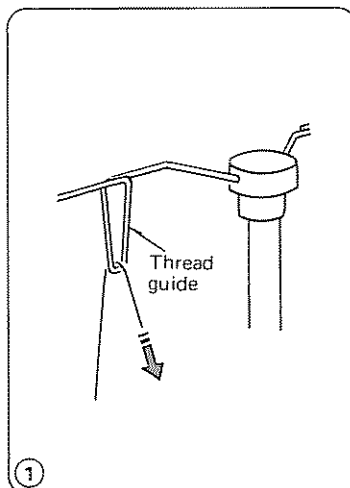
- \* To pass the woolly nylon/polyester thread shown above is one of the easiest ways to do so.
- \* Apply the same method to the upper looper.

● Threading the Upper Looper

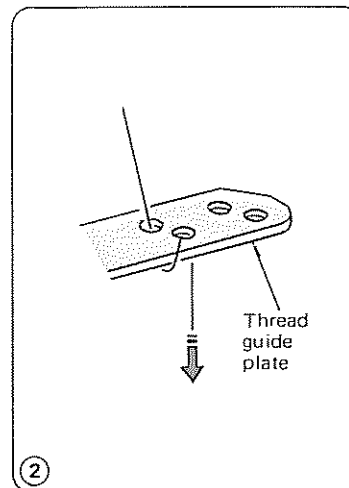


Open the looper and side covers. Place the spool of thread in the middle of spool pin.

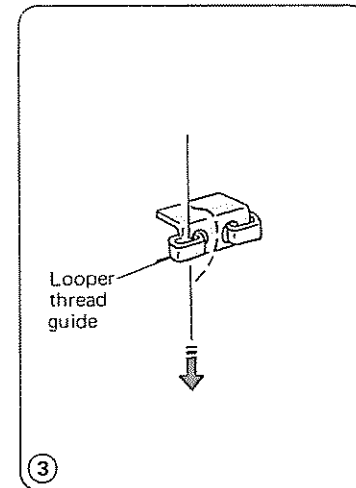
\* The points to thread for upper looper are marked in blue.



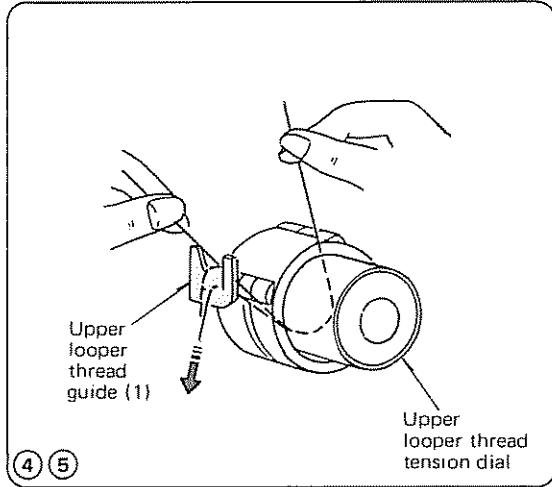
① Draw the thread through the thread guide in the middle from back to front.



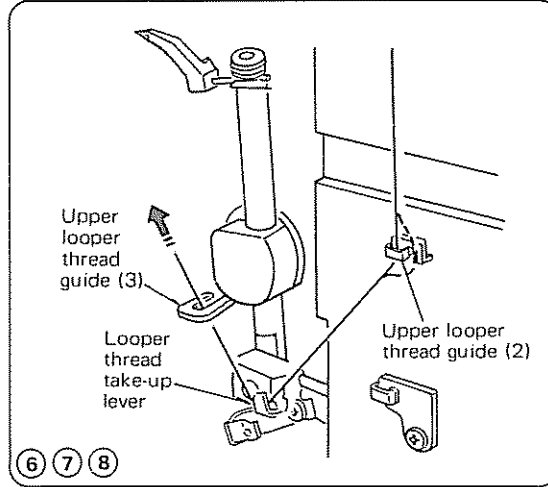
② Pass the thread through the holes in the middle of thread guide plate as illustrated.



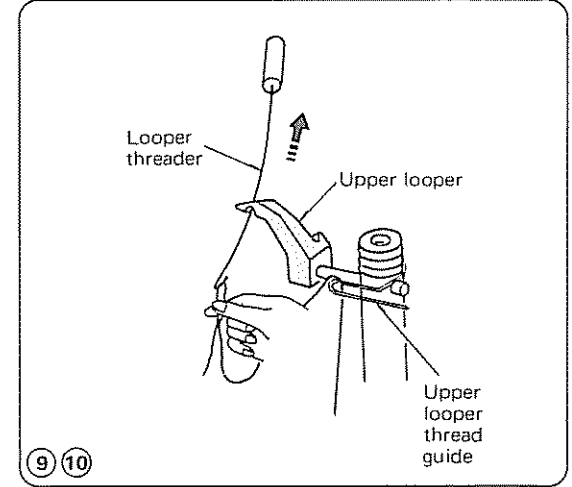
③ Pass the thread through the left side of thread guide sliding the thread from right to left.



- ④ Insert the thread between tension discs from the right. Then pull the both sides of thread.
- ⑤ Pass the thread through upper looper thread guide (1).

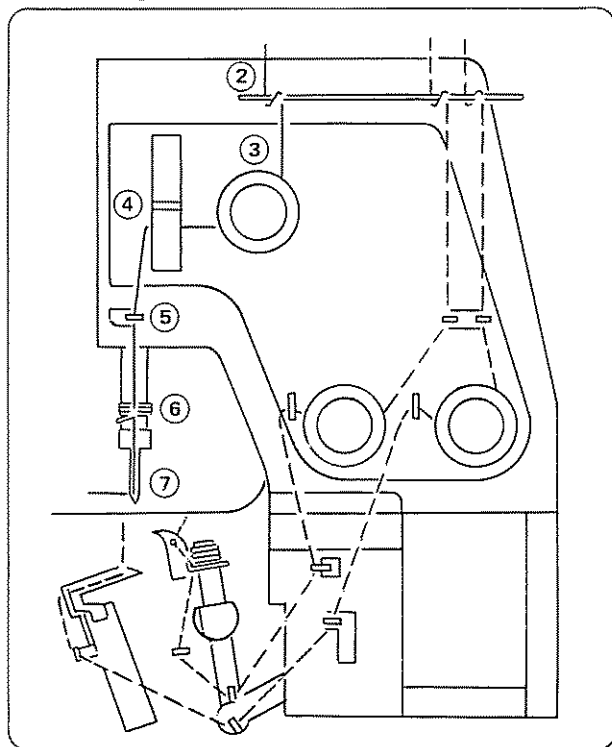


- ⑥ Pass the thread through the thread guide (2).
- ⑦ Pass the thread through the looper thread take-up lever (upper).
- ⑧ Pass the thread through the thread guide (3).



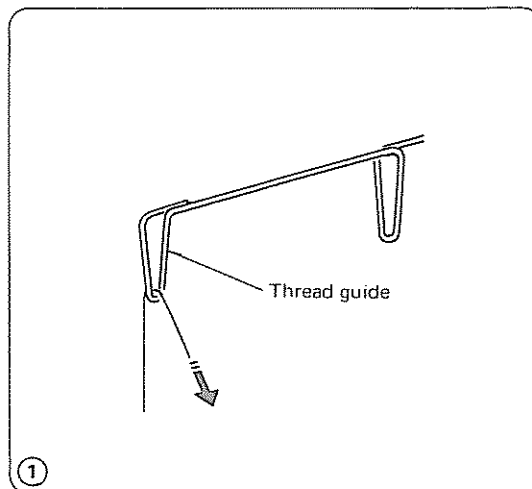
- ⑨ Pass the thread through upper looper thread guide.
- ⑩ Pass the threader through the hole on the upper looper. Then hook the end of thread on the threader. Pull out the threader to pass the thread through the hole. Remove the thread from threader, and draw the free end of thread 10 cm (4") or more.

● Threading the Needle

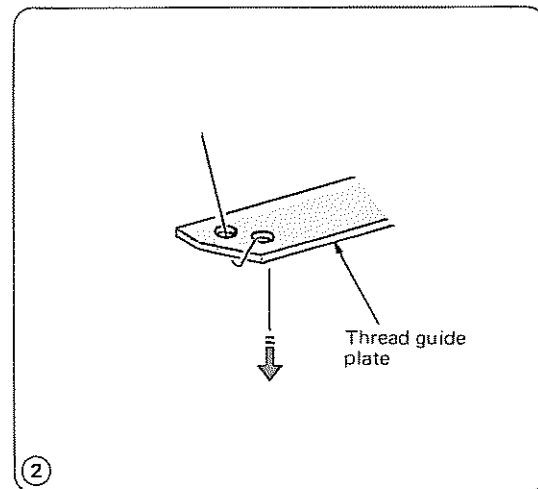


Place the spool of thread on the left side spool pin.

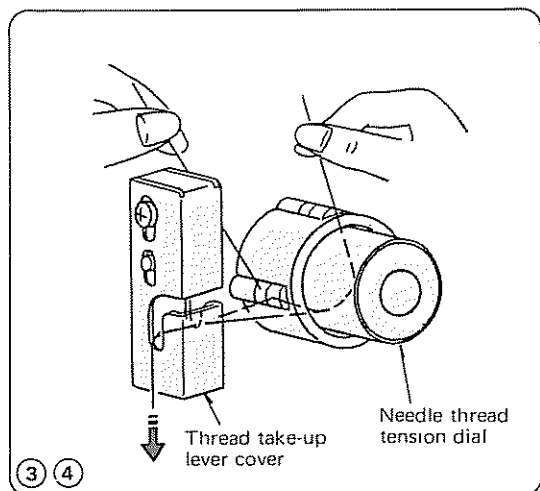
\* The points to thread for needle are marked in red.



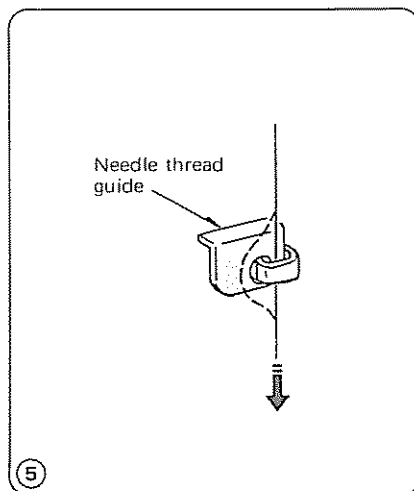
① Draw the thread through the thread guide on the left from back to front.



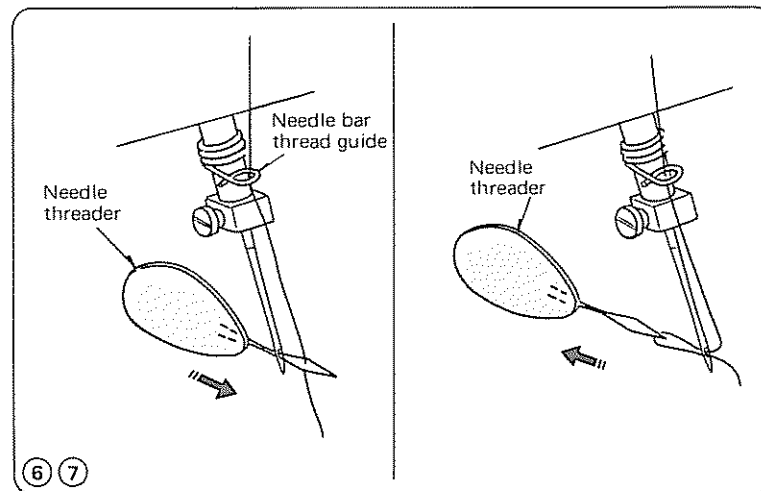
② Pass the thread through the holes on the left of thread guide plate as illustrated.



- ③ Insert the thread between tension discs from the right. Then pull the both sides of thread.
- ④ Turn the balance wheel toward you to bring needle bar at its highest position, then pass the thread through thread take-up lever cover.



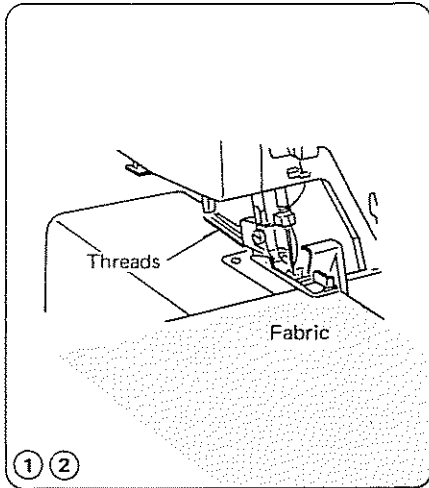
- ⑤ Pass the thread through the thread guide sliding the thread from left to right.



- ⑥ Pass through needle bar thread guide.
- ⑦ Pass the threader through the needle eye from back to front. Pass the end of thread through the loop of threader, then pull the threader to the back to pass the thread through needle eye. Draw the free end of thread 10 cm (4") or more. Close the both side and looper covers.

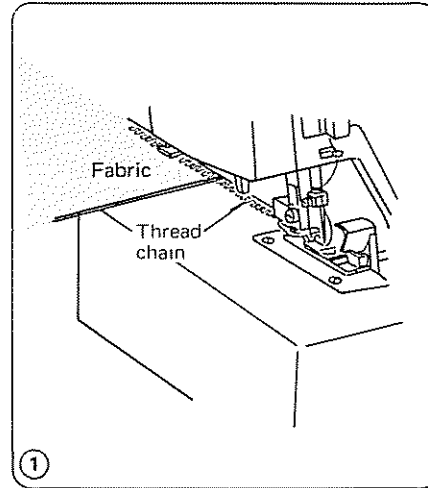
## TEST STITCHING

### Starting Sewing

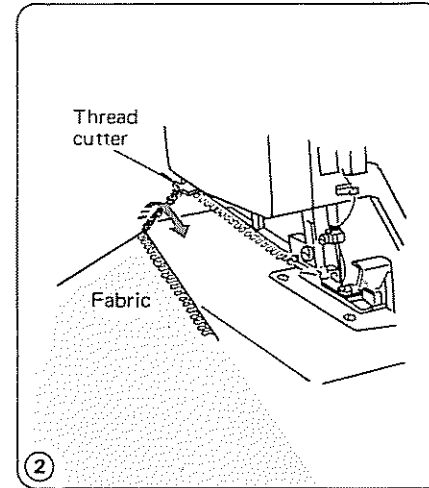


- ① Insert the fabric under the toe of the foot.  
(It is not necessary to raise the foot.)
- ② Turn the balance wheel gently toward you a couple of turns and check the thread chain. Then start sewing slowly. The fabric will be automatically fed. Guide the fabric in the direction desired.

### Finishing Sewing

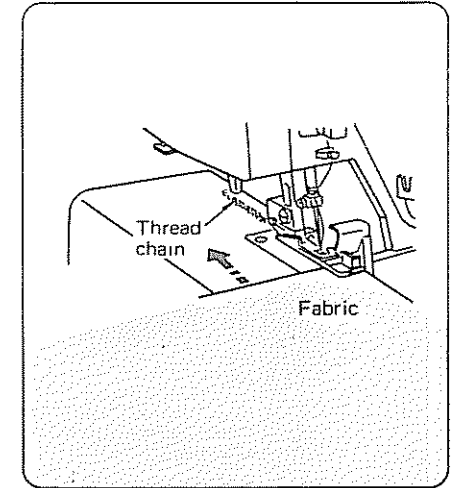


- ① When stitching is completed, continue to run the machine slowly to produce a thread chain for about 12 cm (5") while pulling the thread chain slightly to the back.



- ② Cut the threads with the thread cutter as illustrated, leaving about 5 cm (2") thread chain from the end of fabric.

### Sewing Continuously



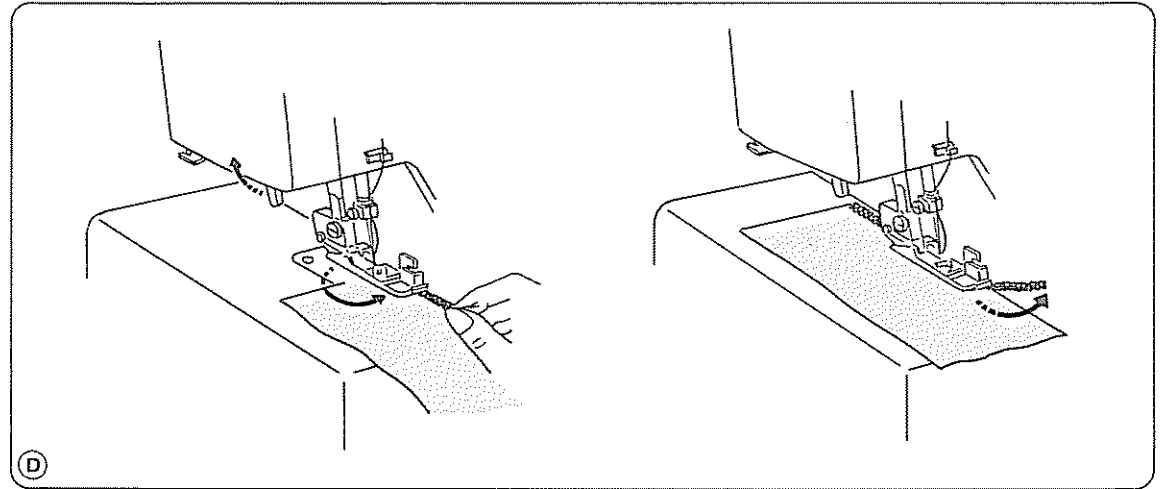
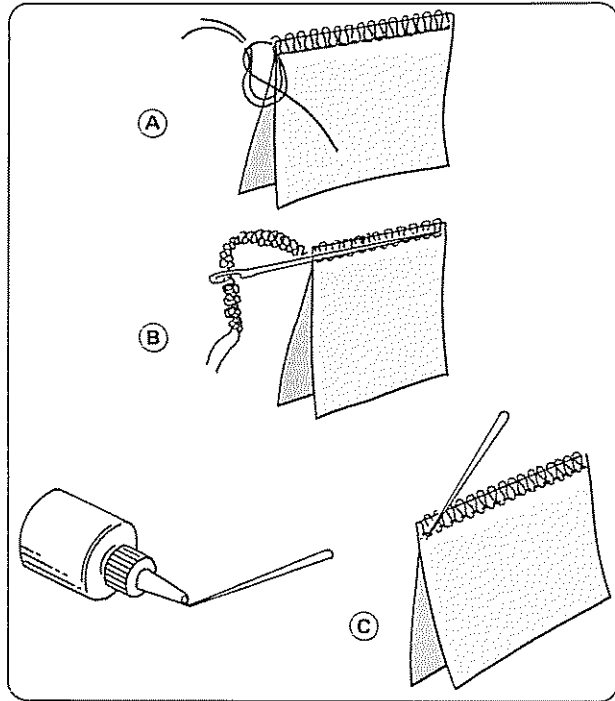
Insert next fabric under the toe of foot, then start sewing. It is not necessary to raise the presser foot for ordinary fabric.

- \* For heavy weight fabric, raise the presser foot and insert the fabric in front of the knife. Then lower the foot and sew.



## Securing Ends

To avoid unravelling, it is necessary to leave a thread chain about 5 cm (2") long at the beginning and end of seam. To secure the beginning and end of a seam choose one of the following methods.



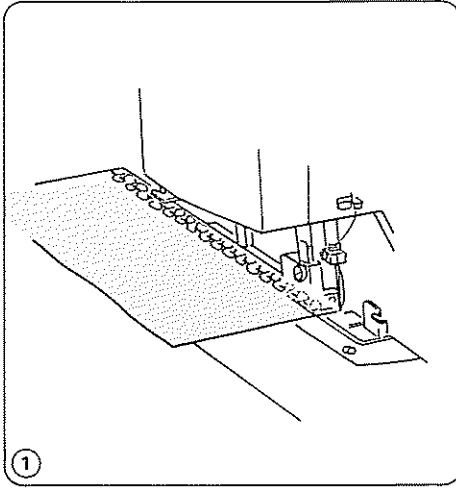
### At the Beginning

- A. Separate the end of threads and knot.
- B. Thread the chain through a large eyed needle, and weave that chain through the overlock stitches on the fabric.
- C. Cut the chain at the edge of fabric. Then apply a small amount of seam sealant (Fray Check TM) on the end of the threads.
- D. Backstitching
  1. Before putting your fabric in the machine, sew a thread chain about 5 cm (2") long behind the needle.
  2. Put your fabric in the machine. Then serge a few stitches and stop.
  3. Raise the presser foot and bring the thread chain to the left around and under the presser foot.
  4. Place the thread chain between the presser foot and upper knife, holding it in position as you lower the presser foot to sew.
  5. After sewing about 2.5 cm (1"), move the chain to the right and under the upper knife, cutting the chain as you sew.

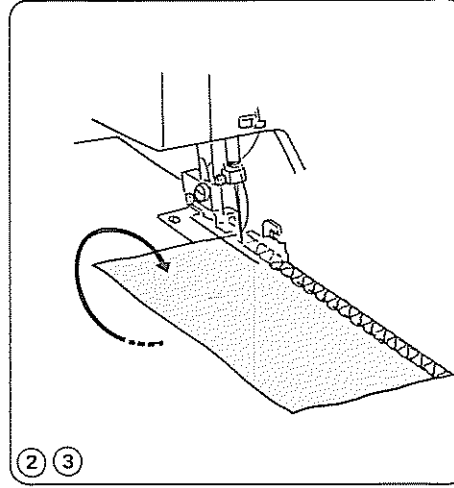
## Securing Ends (continued)

### At the End

You can use the same methods as At the beginning to secure the end of seam except "Backstitching", or the methods shown below.

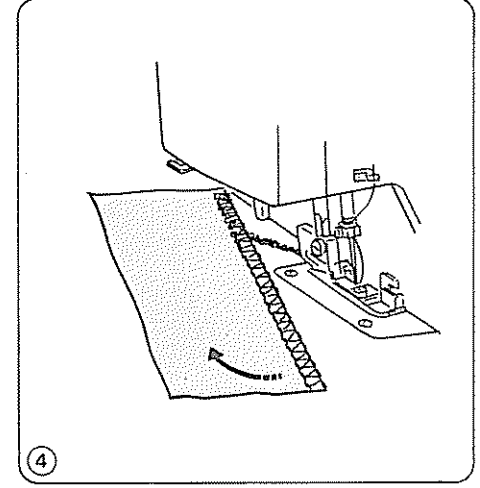


① Serge one stitch off the end of seam.



② Raise the needle and presser foot, and gently pull the threads off the prong.

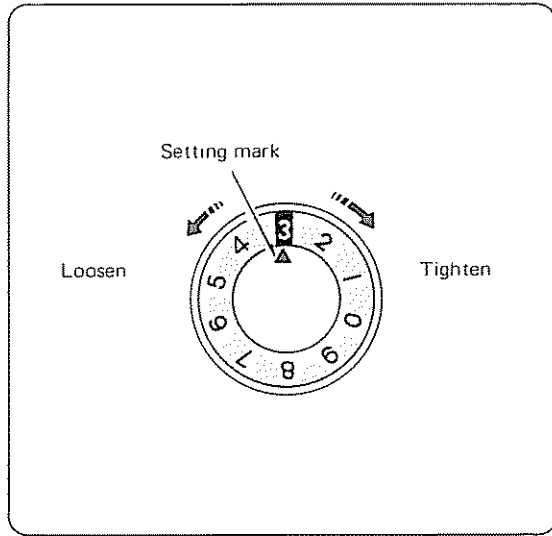
③ Turn the fabric over so that the under side is up.



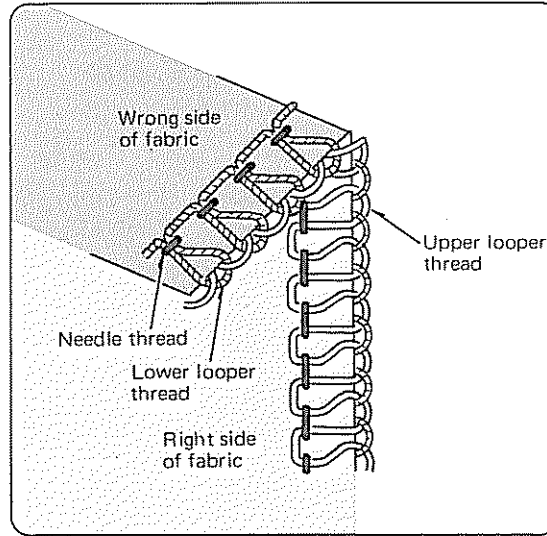
④ Serge about 2.5 (1") over stitching and angle off the fabric.

## Thread Tension

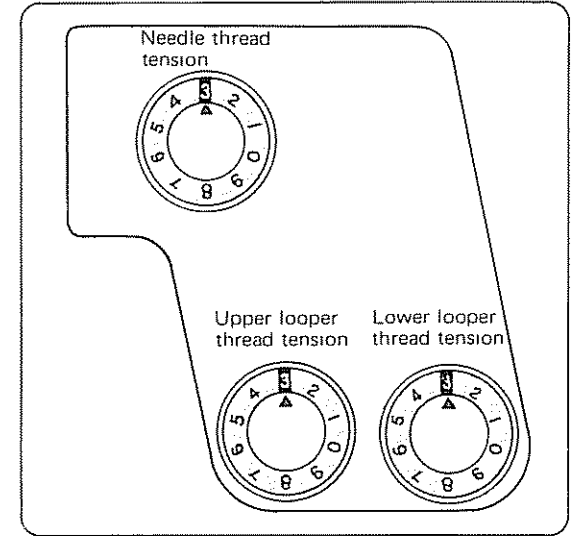
### Thread Tension Dial



### Correct Tension



### Thread Tension



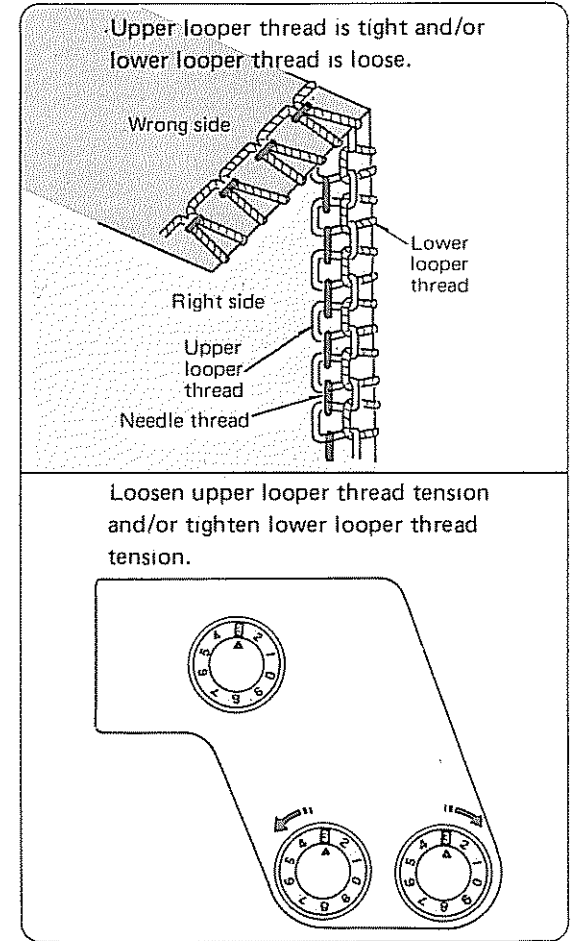
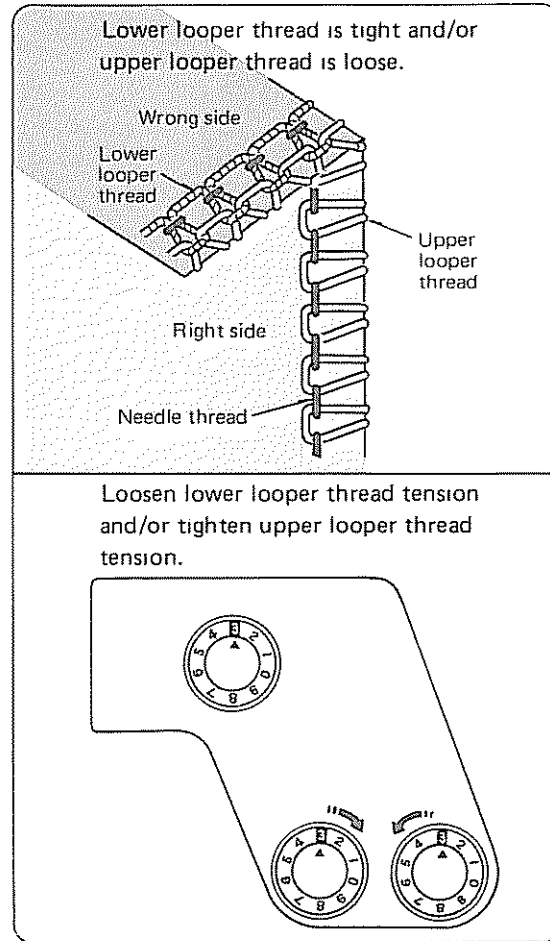
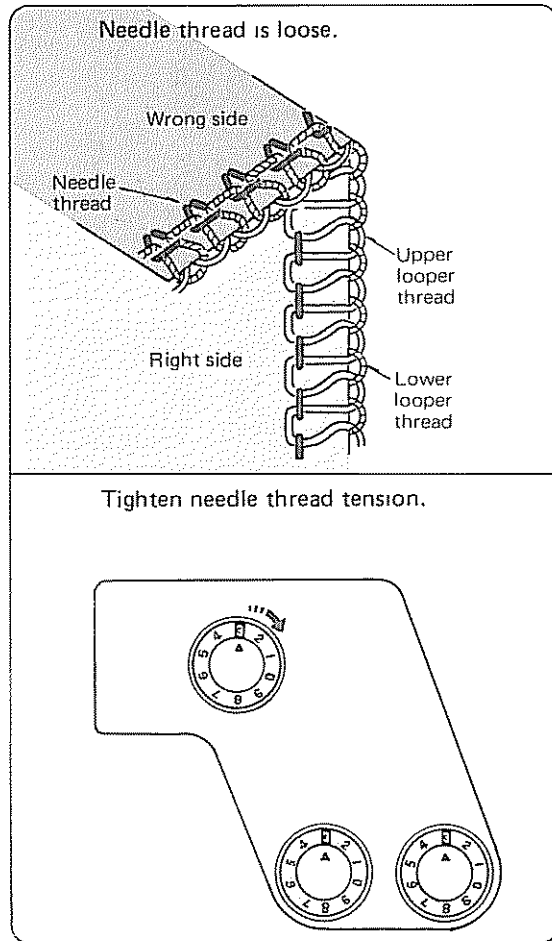
Adjusting the thread tension may be required depending on the type of fabric and thread being used.

Refer to page 18 for the adjustment.

## Thread Tension (continued)

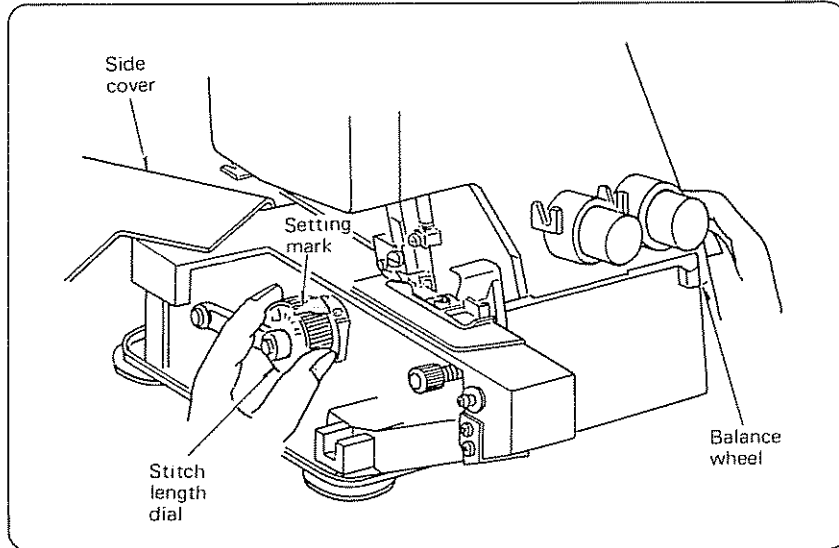
### Thread Tension Adjustment

\* Set all three thread tension dials at "3". Then sew, and check the thread tensions.



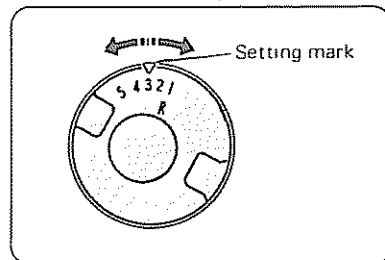
\* It is easier to adjust by using 3 different colors of thread.

## Adjustment of Stitch Length

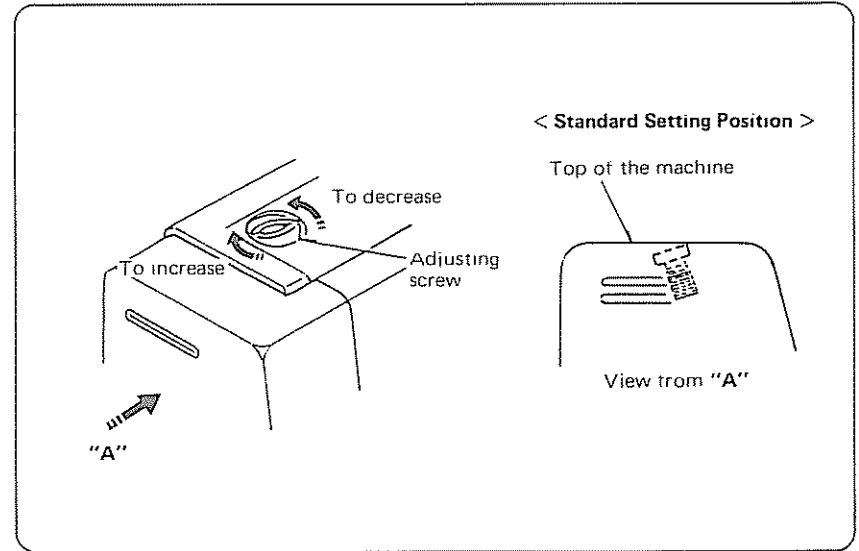


- ① Disconnect the machine from power supply.
- ② Open the side cover.
- ③ Turn the balance wheel with your right hand while holding the stitch length dial with your left hand.  
As you turn the balance wheel, the setting mark moves. Set the dial at "3" for normal sewing.

Stitch Length Dial



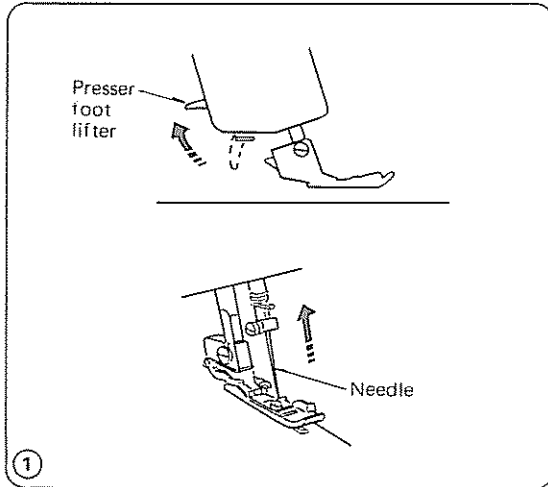
## Adjustment of Foot Pressure



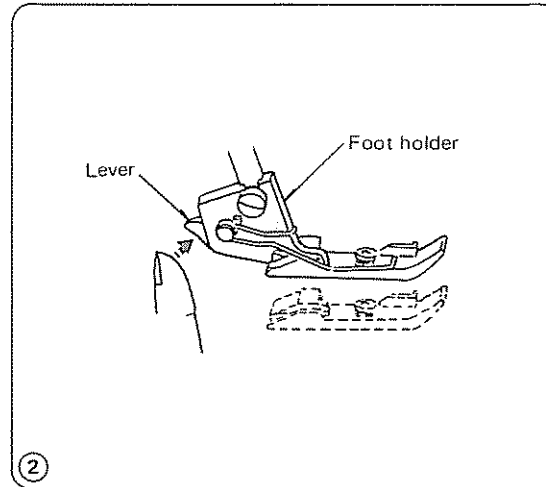
- It is not necessary to adjust the pressure for normal sewing.  
When you sew heavy or light weight fabrics, turn the adjusting screw to:
- clockwise for heavyweight fabric.
  - counter-clockwise for lightweight fabric.

\* For normal sewing, leave the adjusting screw in the position that the surface of top of the machine and the top of the adjusting screw is in the same level as illustrated.

## Removing the Presser Foot

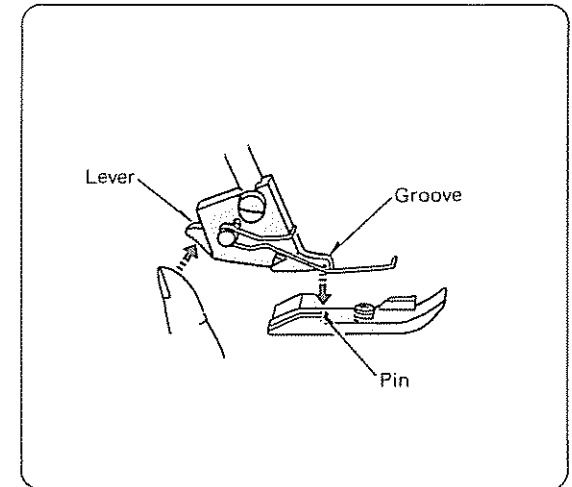


① Raise the needle and presser foot.



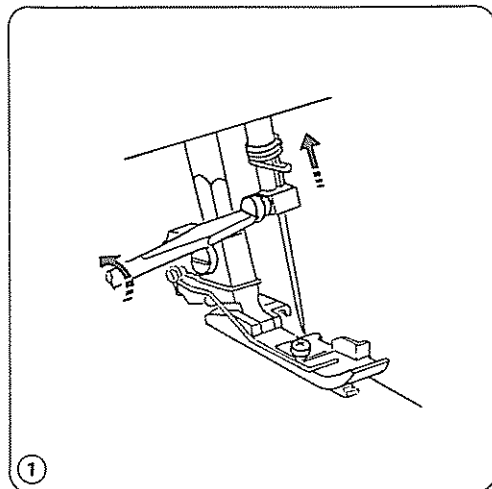
② Press the lever located on the back of foot holder. The presser foot will drop off.

## Attaching the Presser Foot

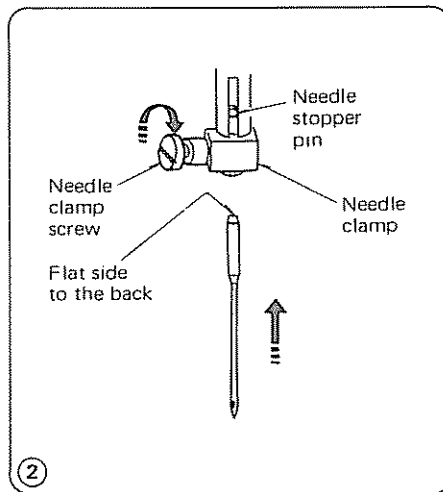


Place the presser foot so that the pin on the foot lies just under the groove of the foot holder. Lower the foot holder and push the lever to lock the foot in place. Raise the presser foot lifter and see the presser foot is in place.

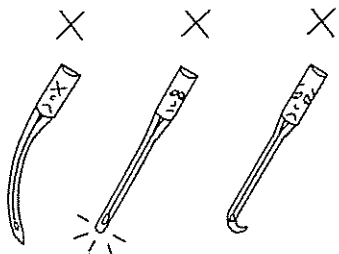
## Changing Needle



- ① Raise the needle above the presser foot, and loosen the needle clamp screw, then remove the needle.

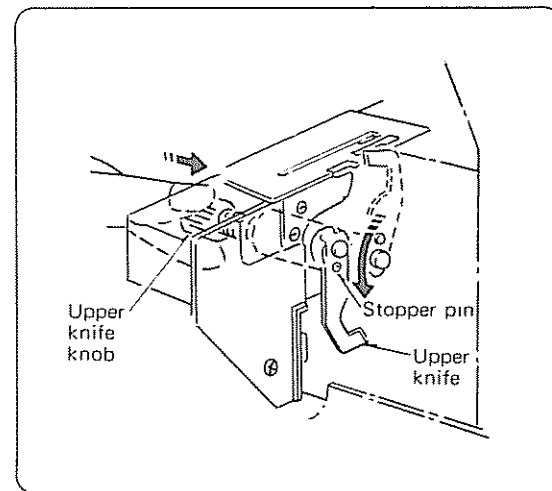


- ② Insert new needle into the needle clamp with its flat side to the back until the top of needle touches the needle stopper pin, then tighten the needle clamp screw.



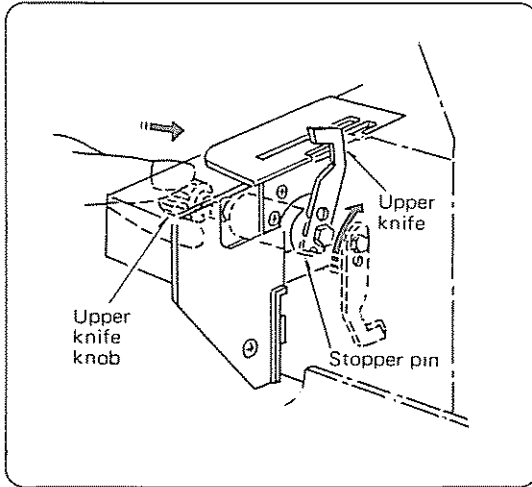
\* Do not use any needle which is bent or blunt.

## To Deactivate the Upper Knife



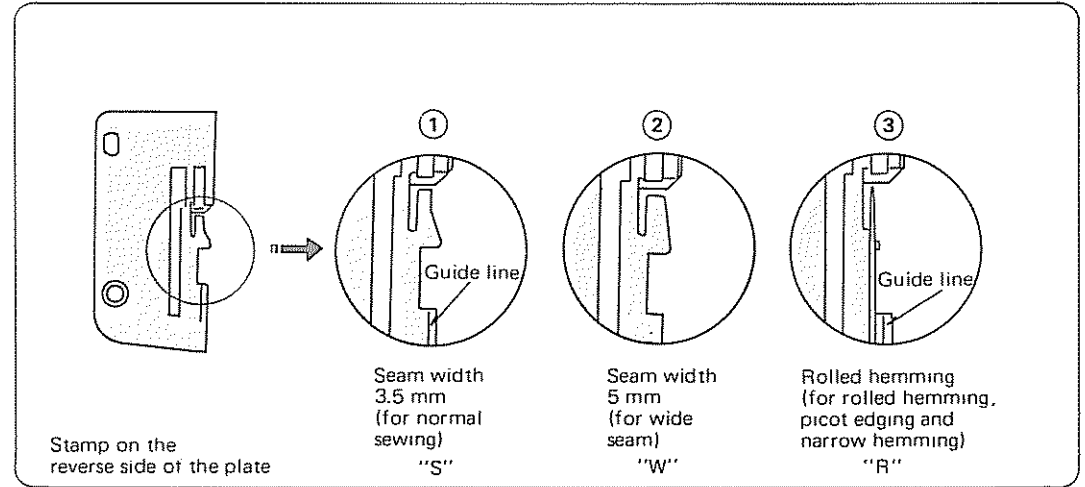
- ① Turn off the power switch and unplug the machine.
- ② Open the looper and side covers.
- ③ Turn the upper knife knob toward you while pushing it to the right, then guide the hole on upper knife to the pin to lock the upper knife in down position.
- ④ Close the looper and side covers.

## To Activate the Upper Knife



- ① Turn off the power switch and unplug the machine.
- ② Open the looper and side covers.
- ③ Turn the upper knife knob away from you while pushing it to the right, then guide the groove on upper knife to the pin to lock upper knife in the up position.
- ④ Close the looper and side covers.

## Types of Needle Plates



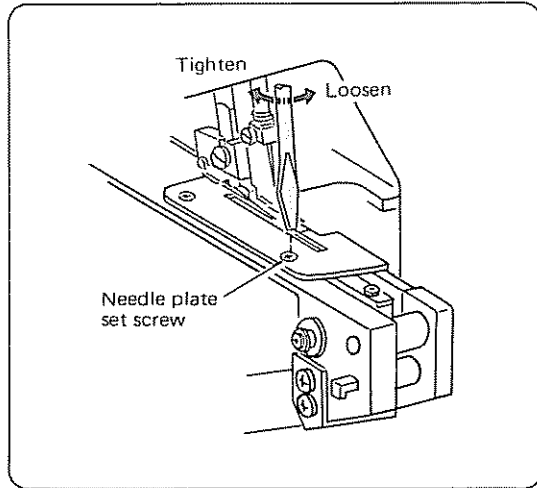
- \* Select the needle plate for your sewing need.
- \* The regular needle plate has been set to the machine.

### For Your Safety:

When you change the needle plate or adjusting the seam width, make sure that the machine is disconnected from the power supply.

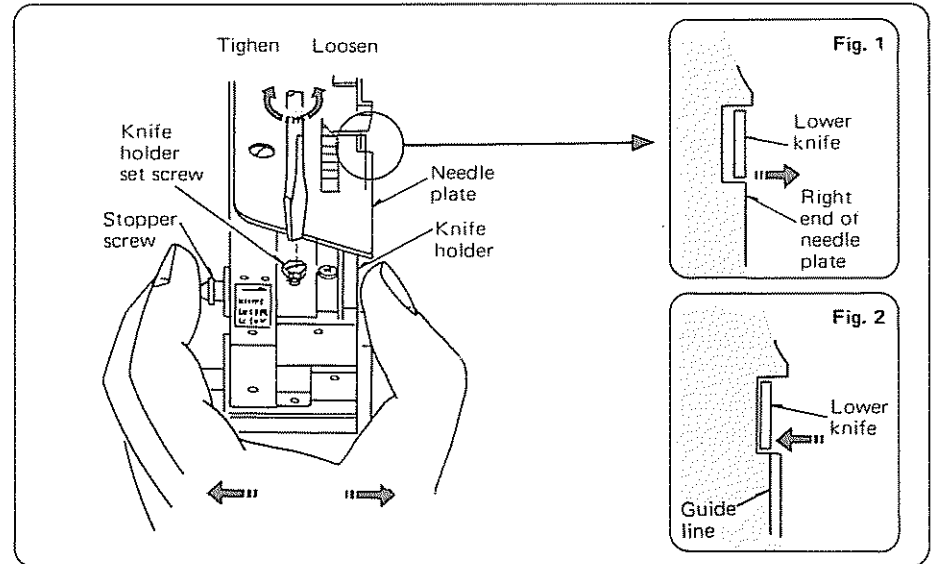


## Changing the Needle Plate



- ① Turn the balance wheel toward you until the needle comes above the needle plate. Then remove the presser foot.
- ② Open the side and looper covers. (Refer to page 5.)
- ③ Set the upper knife to down position. (Refer to page 21.)
- ④ Remove the needle plate set screw, and lift the needle plate.
- ⑤ Attach the needle plate you require with the needle plate set screw.
- ⑥ Bring the upper knife to up position. (Refer to page 22.)
- ⑦ Close the looper and side covers.

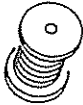
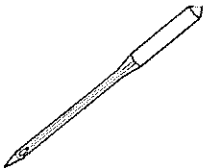
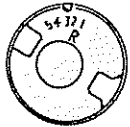
## Adjusting Seam Width



- ① Open the looper and side covers.
- ② Deactivate the upper knife. (Refer to page 21.)
- ③ Change the needle plate.
- ④ Loosen the knife holder set screw.
- ⑤ Hold the stopper screw and knife holder with your fingers as shown, and move to:
  - the right until the right side edge of lower knife comes in line with the edge of needle plate for 5 mm (3/16") seam width. (Fig. 1)
  - the left until the right side edge of lower knife comes in line with the guide line on needle plate for rolled hemming or 3.5 mm (9/64") seam width. (Fig. 2)
- ⑥ Tighten the knife holder set screw.
- ⑦ Set the upper knife to up position.
- ⑧ Close the looper and side covers, then lower the presser foot.

\* Your machine has been set for 3.5 mm (9/64") seam width at the factory.

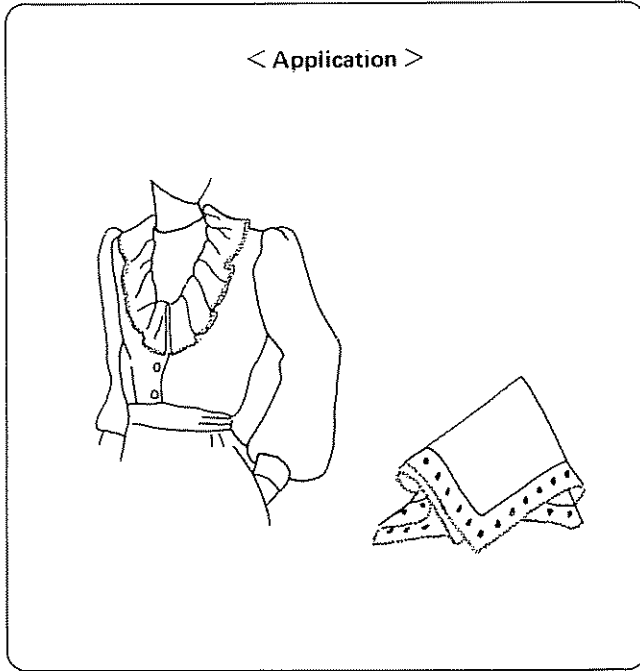
## Thread and Needle Chart

Type of Fabric		Type of Thread 	Needle 	Seam Width	Stitch Length 
Light weight	Organdy, Georgette, Lawn, Crepe de chine, Lining.	Cotton : No. 80 ~ 100 Silk : No. 80 ~ 100 Synthetic : No. 80 ~ 100	HA-1 SP No. 11	3.5 mm	2.0 ~ 3.0 mm
Medium weight	Cotton, Linen, Satin, Ordinary fabric.	Cotton : No. 60 ~ 100 Silk : No. 50 ~ 100 Synthetic : No. 60 ~ 100	HA-1 SP No. 11 ~ 14	3.5 mm	2.5 ~ 3.5 mm
Heavy weight	Tweed, Coating, Denim, Doeskin, Thick fabric.	Cotton : No. 50 ~ 60 Silk : No. 50 ~ 60 Synthetic : No. 50 ~ 60	HA-1 SP No. 14	3.5 or 5.0 mm	3.0 ~ 4.0 mm
Knits	Knitted fabric	Cotton : No. 60 ~ 80 Synthetic : No. 60 ~ 90 Woolly nylon (For looper thread) Woolly polyester (For looper thread)	HA-1 SP No. 11 ~ 14	3.5 or 5.0 mm	2.5 ~ 3.5 mm

\* Refer to pages 19 and 23 for adjusting the stitch length and stitch width.

# ROLLED HEMMING, PICOT EDGING AND NARROW HEMMING

## Machine Setting



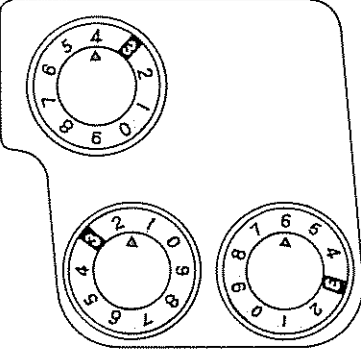
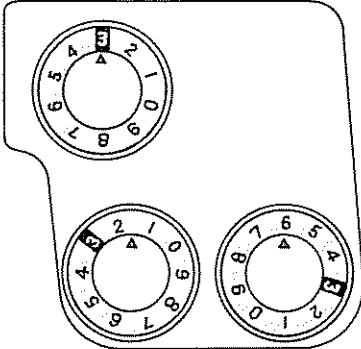
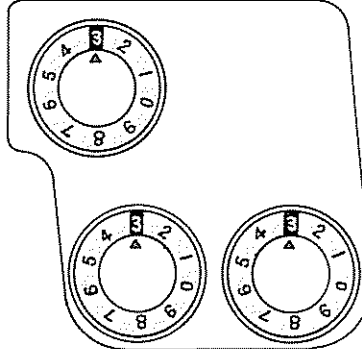
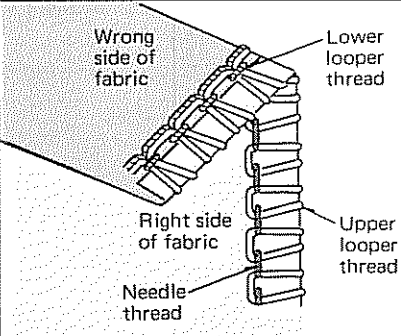
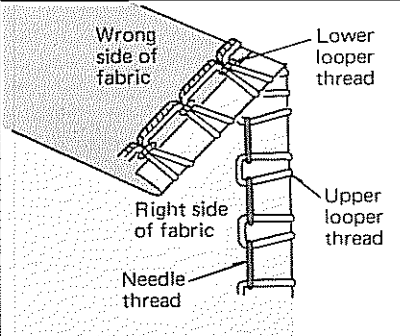
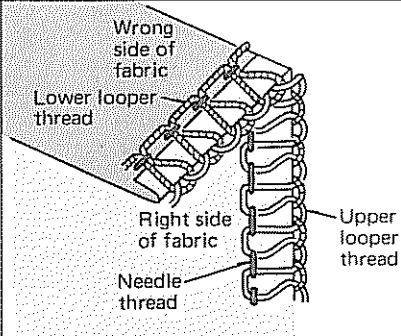
	Rolled Hemming	Picot Edging	Narrow Hemming
Stitch Length	 (R: 1 ~ 2)	 (3 ~ 4)	 (R: 1 ~ 2)
Needle Plate	 Lower knife Guide line  Rolled hemming needle plate.		

The edge on right hand side of lower knife must be in line with the guide line.

\* Refer to page 23 for changing the needle plate.

## Thread, Fabric and Range of the Tension Dial

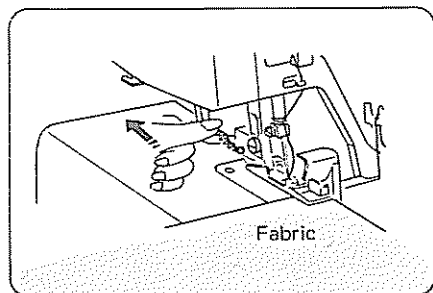
The setting of tension dials may vary depending on the type and thickness of fabric and thread being sewn.

Fabric		Rolled Hemming	Picot Edging	Narrow Hemming
Lightweight fabric such as organdy, crepe de chine, lawn and georgette	Needle thread	Long fiber polyester thread No. 80 ~ 100		
	Upper and lower looper threads	Woolly nylon, Woolly polyester	Synthetic : 60 ~ 100, Silk : No. 50 ~ 100	Woolly nylon, Woolly polyester
	Needle	HA-1 SP No. 11		
	Standard setting of tension dials			
Correct thread tension	 <p>Wrong side of fabric</p> <p>Lower looper thread</p> <p>Right side of fabric</p> <p>Upper looper thread</p> <p>Needle thread</p>	 <p>Wrong side of fabric</p> <p>Lower looper thread</p> <p>Right side of fabric</p> <p>Upper looper thread</p> <p>Needle thread</p>	 <p>Wrong side of fabric</p> <p>Lower looper thread</p> <p>Right side of fabric</p> <p>Upper looper thread</p> <p>Needle thread</p>	

## Adjusting Thread Tension

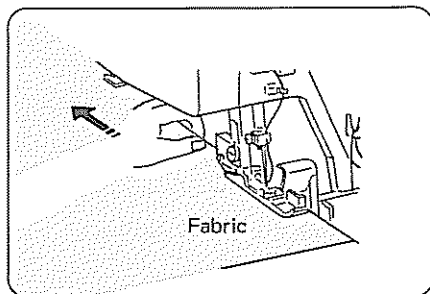
1. Set the tension dials as shown on page 26.
2. Sew and check the tensions.

– For better result –



### Roll Hemming

Pull the end of thread chain to the back lightly in the beginning and end of sewing.

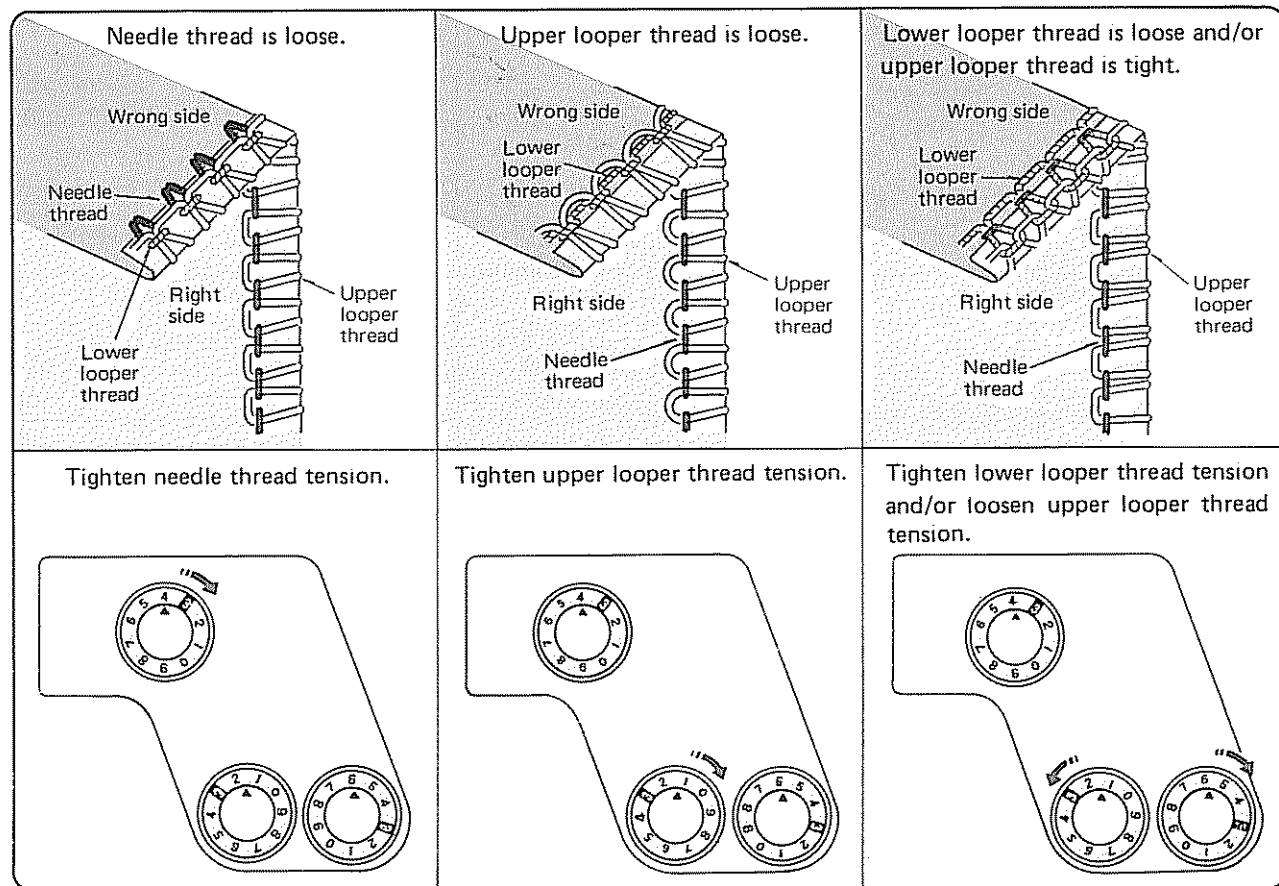


### Picot Edging

Pull the fabric lightly to the back while sewing.

## How to Adjust the Thread Tension

- For Rolled Hemming and Picot Edging

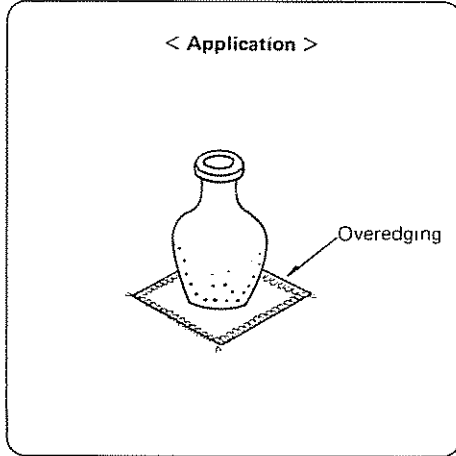


- For Narrow Hemming

Refer to page 18 for the adjustment.

## DECORATIVE OVEREDGING

### Thread, Fabric, Range of the Tension and Machine Setting



Fabric	Thread		Standard Setting
Medium to Heavy Fabric	Needle thread	Synthetic : No. 60 ~ 80 Silk : No. 50 ~ 80	
	Upper looper thread	Buttonhole twist Light weight wool yarn	
	Lower looper thread	Synthetic : No. 60 ~ 80 Silk : No. 50 ~ 80	

Machine Setting	Stitch length	3 ~ 4 mm	
	Seam width	3.5 mm	5.0 mm
	Needle plate	Regular needle plate.	Needle plate for wide seam width.
	Needle	HA-1 SP No. 14	

- \* Refer to page 17 for the correct tension.
- \* To adjust the thread tension balance, set the tension dials as shown above first, then refer to page 18.
- \* For the best result, pull the thread chain to the back lightly at the beginning and end of sewing.

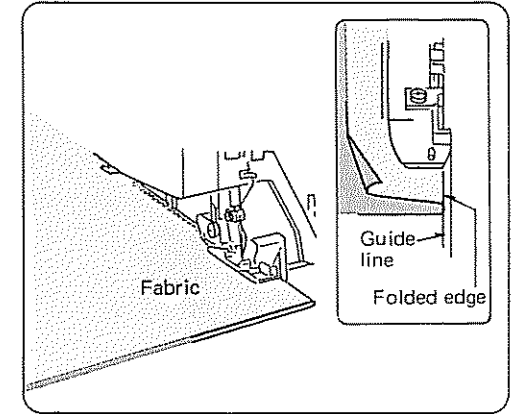
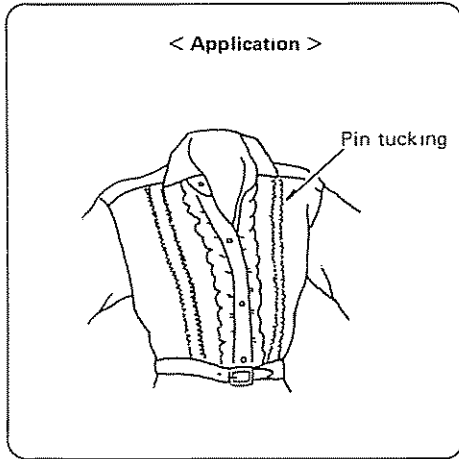
## PIN TUCKING

### Fabric, Thread and Machine Setting

Fabric	Thread	
<b>Light to Medium Fabric</b>	Needle thread	Synthetic : No. 60 ~ 80 Silk : No. 50 ~ 80
	Upper and lower looper threads	Synthetic : No. 60 ~ 100 Silk : No. 50 ~ 100
<b>Machine Setting</b>	Stitch length	2 ~ 3 mm
	Seam width	3.5 mm
	Needle plate	Regular needle plate
	Needle	HA-1 SP No. 11 or 14

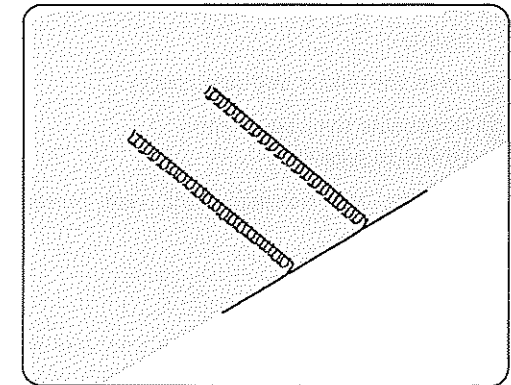
\* Refer to pages 17 and 18 for thread tension balance adjustment.

### Sewing



Deactivate the upper knife. (Refer to page 21.)

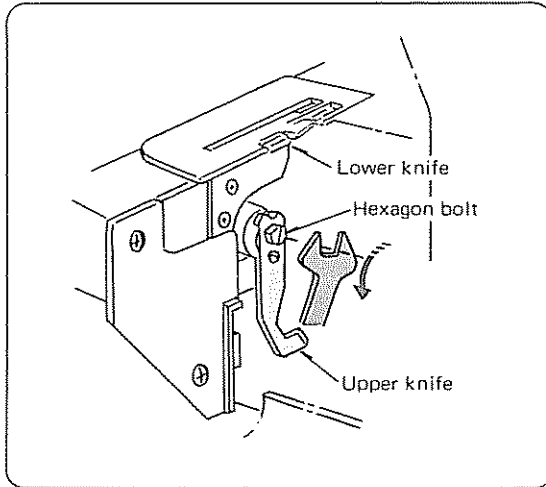
Sew guiding the folded edge along the guide line.



Press the pin tucks to one side.

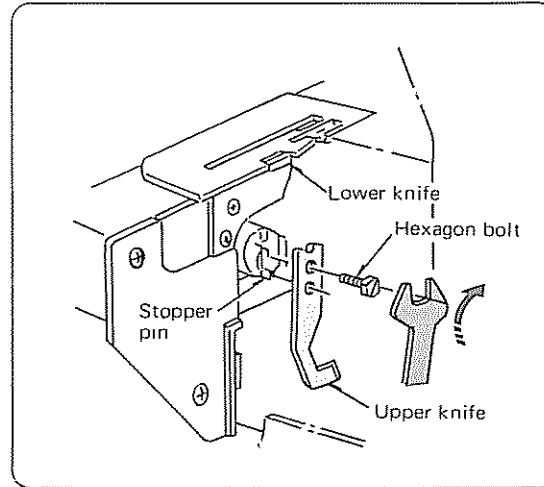
\* Activate the upper knife. (Refer to page 22.)

### Replacing the Upper Knife



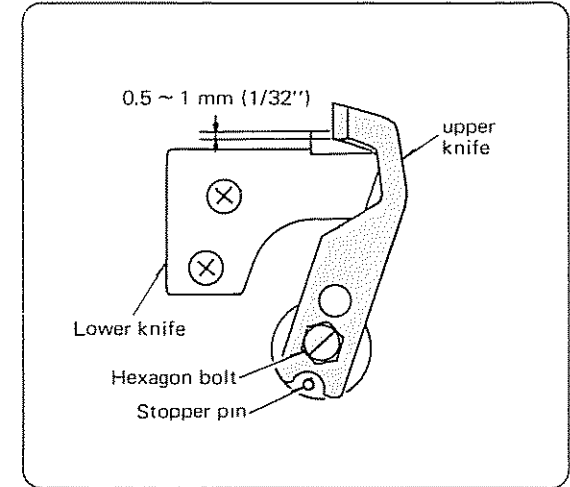
#### To Remove:

- ① Disconnect your machine from the power supply.
- ② Open the looper and side covers.
- ③ Deactivate the upper knife.  
(Refer to page 21.)
- ④ Remove the hexagon bolt, and remove the upper knife.



#### To Attach:

- ① Insert new upper knife into the groove of knife holder and stopper pin, then tighten the hexagon bolt slightly.

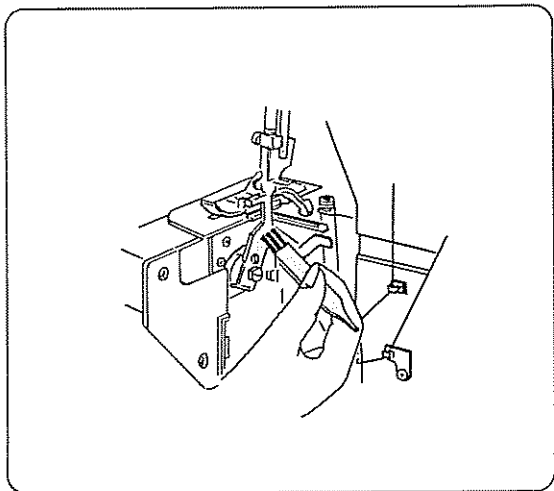


- ② Turn the upper knife holder to cutting position.
- ③ Turn the balance wheel toward you until the upper knife comes to its lowest position. Loosen the hexagon bolt, and adjust the position of upper knife so that the edge of the upper knife overlaps 0.5 to 1 mm (1/32") from the edge of lower knife as shown above. Then tighten the hexagon bolt firmly.
- ④ Close the looper and side covers.

\* The lower knife will last over one year in normal use. However, if you run over a pin or a hard object, it may be required to replace both upper and lower knives at the same time.

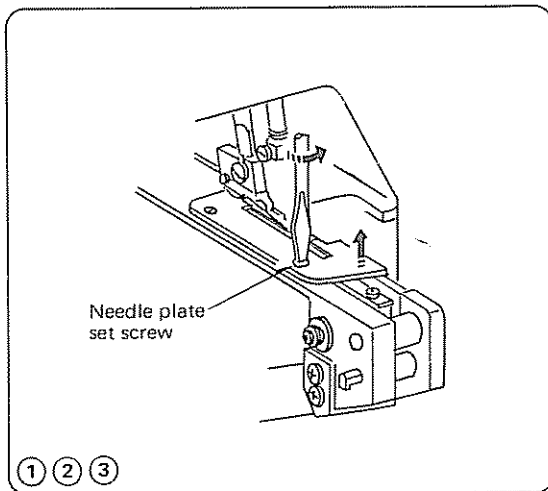


### Cleaning Upper Knife Area



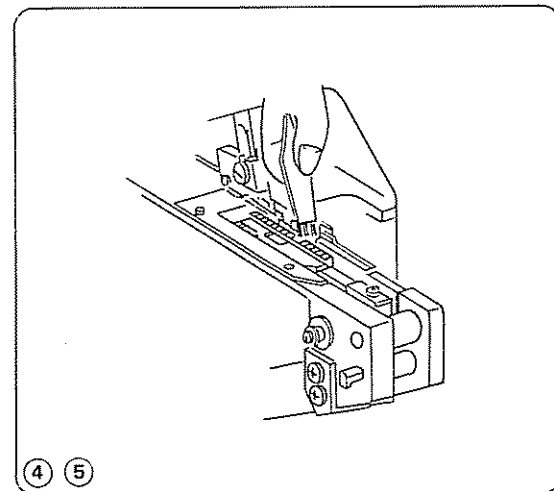
Open the looper cover.  
Remove the waste chips to the front with a lint brush.

### Cleaning the Feed Dog



① ② ③

- ① Open the looper and side covers.
- ② Remove the needle and presser foot.
- ③ Remove the needle plate set screw, and remove the needle plate.

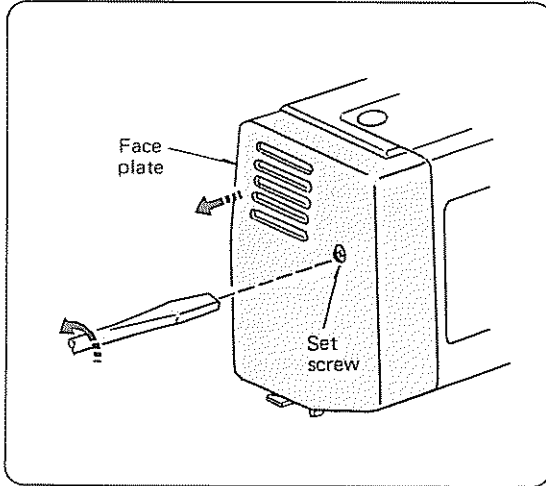


④ ⑤

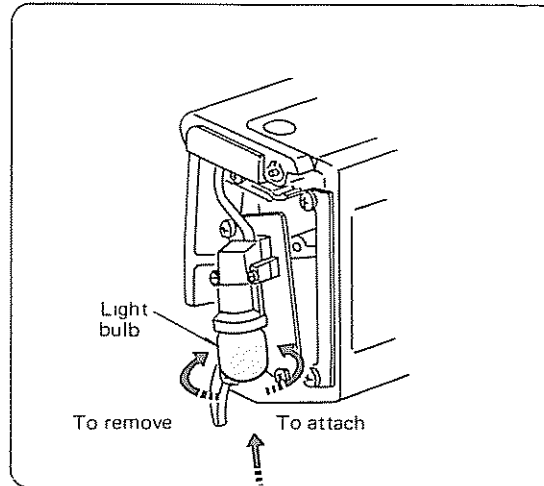
- ④ Push the lint around the feed dog to the front by using a lint brush.
- ⑤ Attach needle plate, presser foot and needle. Close the looper and side covers.

\* You may use vacuum cleaner to clean the upper knife area or feed dog.

## Replacing the Light Bulb

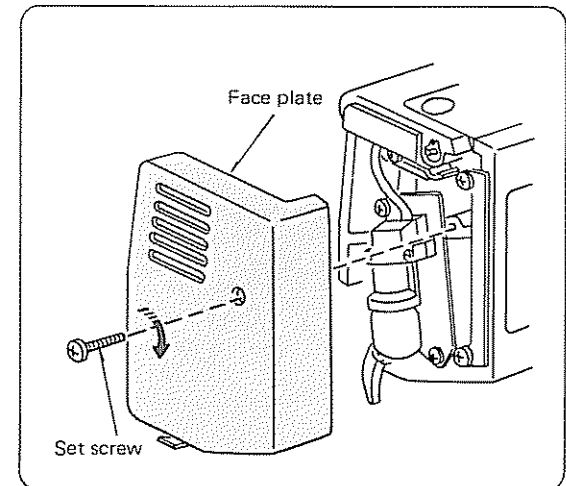


- 1 Disconnect your machine from the power supply.  
Remove the face plate set screw, and remove the face plate.



- 2 **To Remove:**  
Screw-on type . . . . . Turn to the left.  
Bayonet type . . . . . Push and twist to the left.

**To put on:**  
Screw-on type . . . . . Turn to the right.  
Bayonet type . . . . . Push and twist to the right.

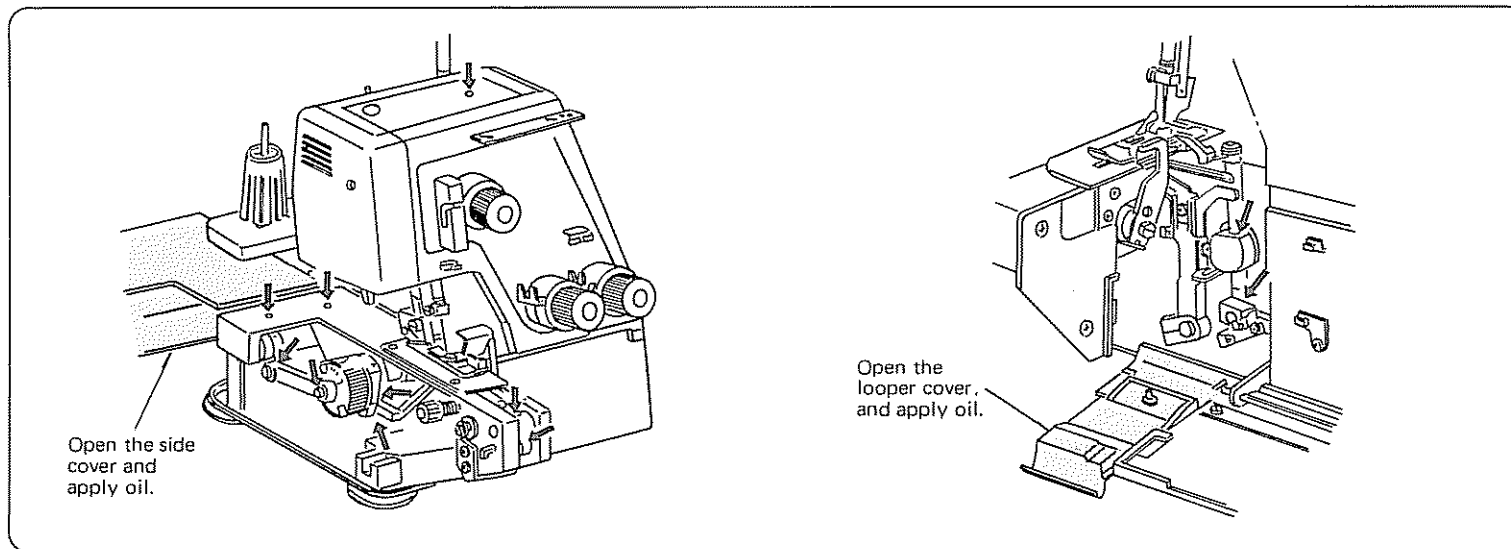


- 3 Attach the face plate, and tighten the face plate set screw.

### For Your Safety:

\* The machine is designed to use a 15 WATT MAXIMUM LIGHT BULB.

## Oiling the Machine

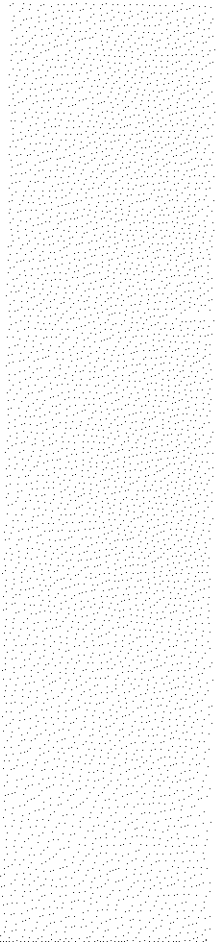
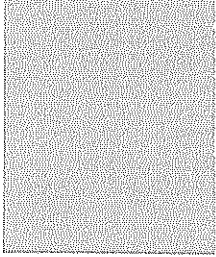


Apply a few drops of fine quality sewing machine oil to the parts indicated with arrows.

It is recommended to apply oil once a week in normal use, once in ten hours in continuous use.

## Trouble Shooting

Condition	Cause	Reference
The fabric is not being fed smoothly.	<ol style="list-style-type: none"> <li>1. The feed dog is packed with lint.</li> <li>2. The presser foot has been raised.</li> </ol>	<p>See page 31. Lower the presser foot.</p>
The needle breaks.	<ol style="list-style-type: none"> <li>1. The needle is incorrectly inserted.</li> <li>2. The needle is bent or blunt.</li> <li>3. The fabric is forcedly pulled.</li> </ol>	<p>See page 21. See page 21. Pull the fabric lightly.</p>
The thread breaks.	<ol style="list-style-type: none"> <li>1. The machine is not correctly threaded.</li> <li>2. The needle or looper thread tension is too tight.</li> <li>3. The needle is incorrectly inserted.</li> <li>4. The needle is bent or blunt.</li> </ol>	<p>See pages 7 ~ 13. See page 17, 18 and 26 ~ 28. See page 21. See page 21.</p>
Skipped stitches	<ol style="list-style-type: none"> <li>1. The needle is not correctly threaded.</li> <li>2. The needle is bent or blunt.</li> <li>3. The machine is not correctly threaded.</li> </ol>	<p>See page 21. See page 21. See pages 7 ~ 13.</p>
The seam is not sewn neatly.	<ol style="list-style-type: none"> <li>1. The needle and/or looper thread tensions are not correctly adjusted.</li> <li>2. The machine is not correctly threaded.</li> <li>3. The needle and/or the thread are not suitable for the fabric being sewn.</li> <li>4. The thread is not between the tension discs.</li> </ol>	<p>See pages 17, 18 and 26 ~ 28. See pages 7 ~ 13. See pages 24, 26, 28 and 29. See page 9, 11 and 13.</p>
Seam puckering.	<ol style="list-style-type: none"> <li>1. The needle or looper thread tension is too tight.</li> <li>2. The machine is not correctly threaded.</li> <li>3. The needle plate is not suitable for the use.</li> </ol>	<p>See pages 17, 18, 26 and 27. See pages 7 ~ 13. See page 23.</p>
The machine does not operate.	<ol style="list-style-type: none"> <li>1. The machine has not been plugged in firmly.</li> <li>2. The power switch is turned off.</li> </ol>	<p>See page 4. See page 4.</p>
The fabric is not cut neatly.	<ol style="list-style-type: none"> <li>1. The position of the upper knife is not adjusted properly.</li> <li>2. The upper knife is dull.</li> </ol>	<p>See page 30. Replace the upper knife. (See page 30.)</p>



|