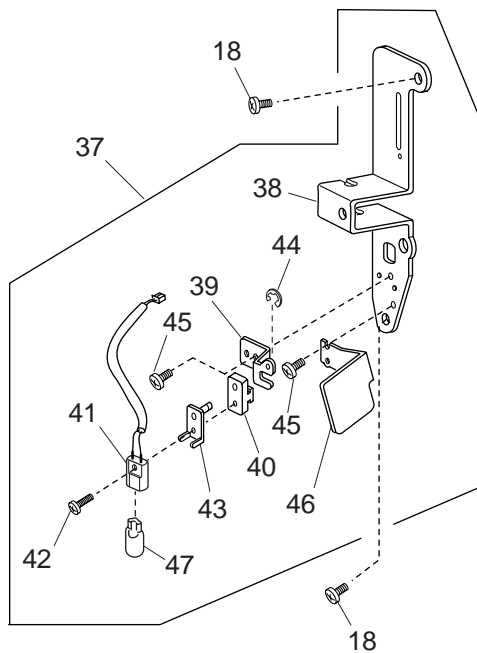
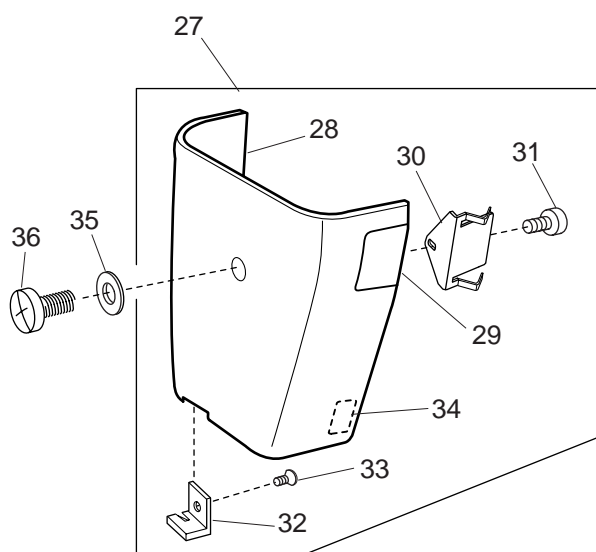
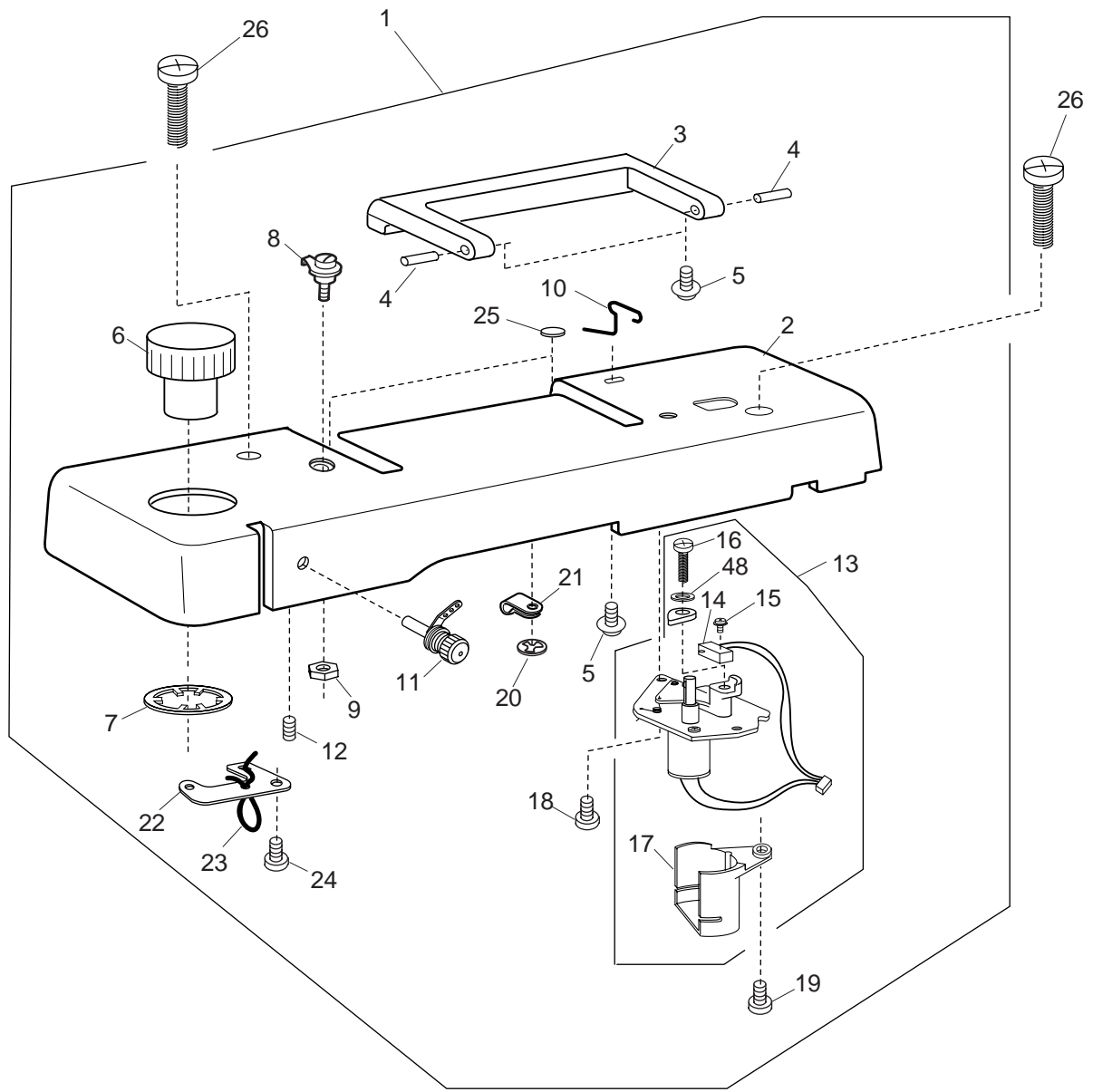
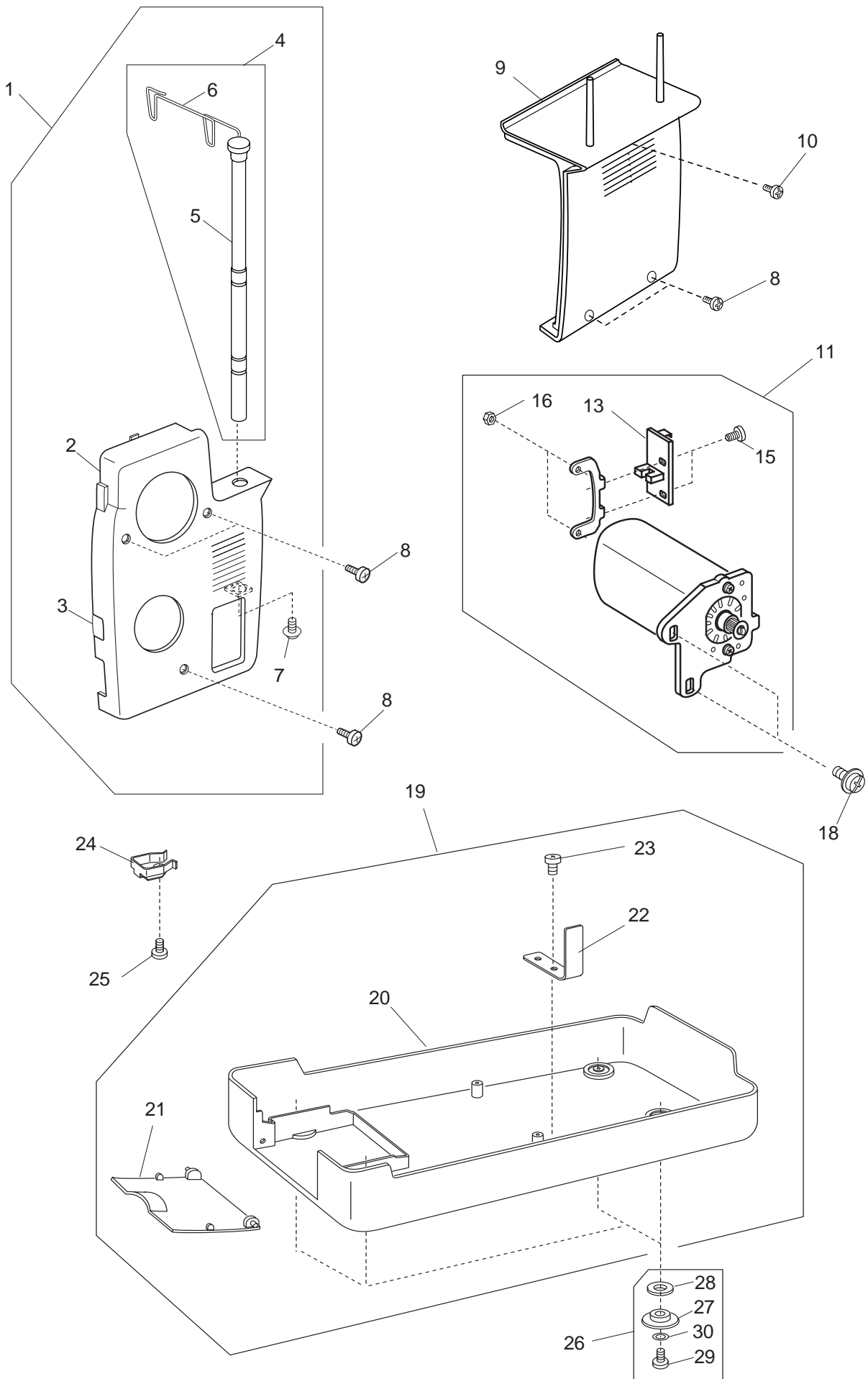


PARTS LIST

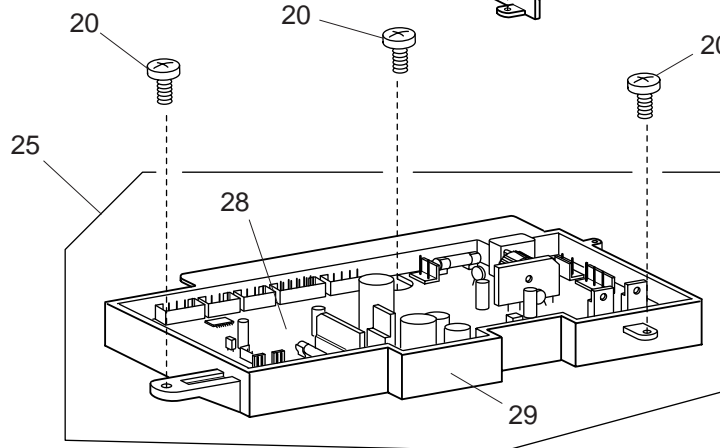
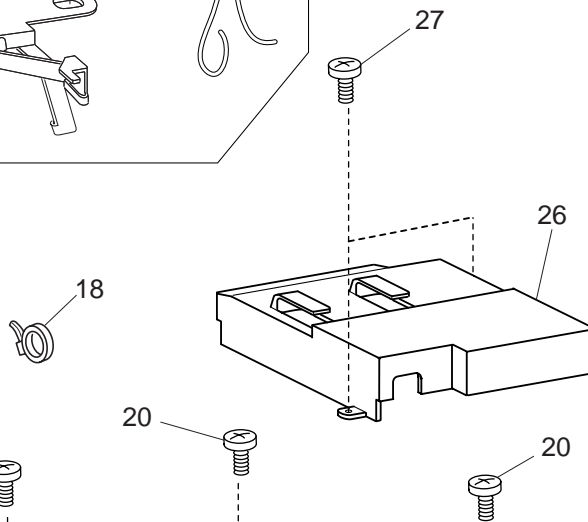
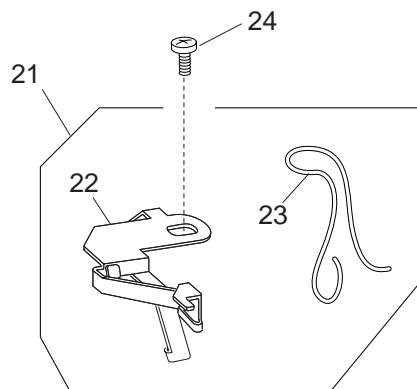
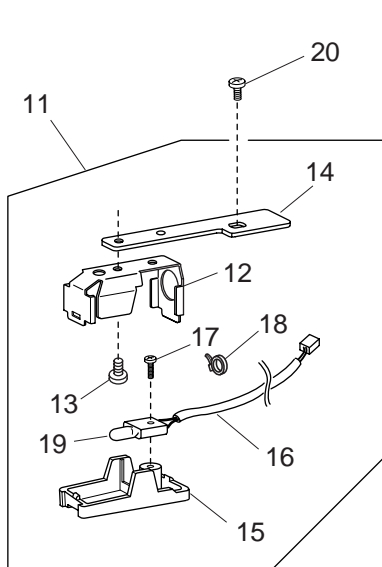
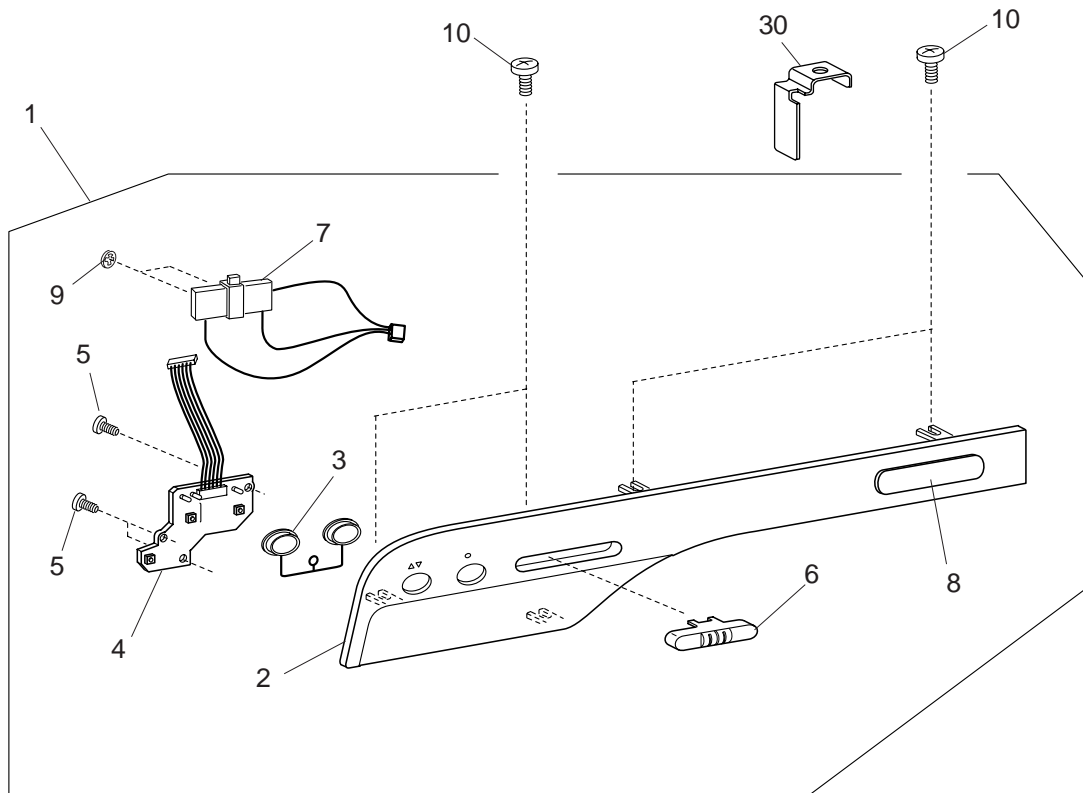
1600P



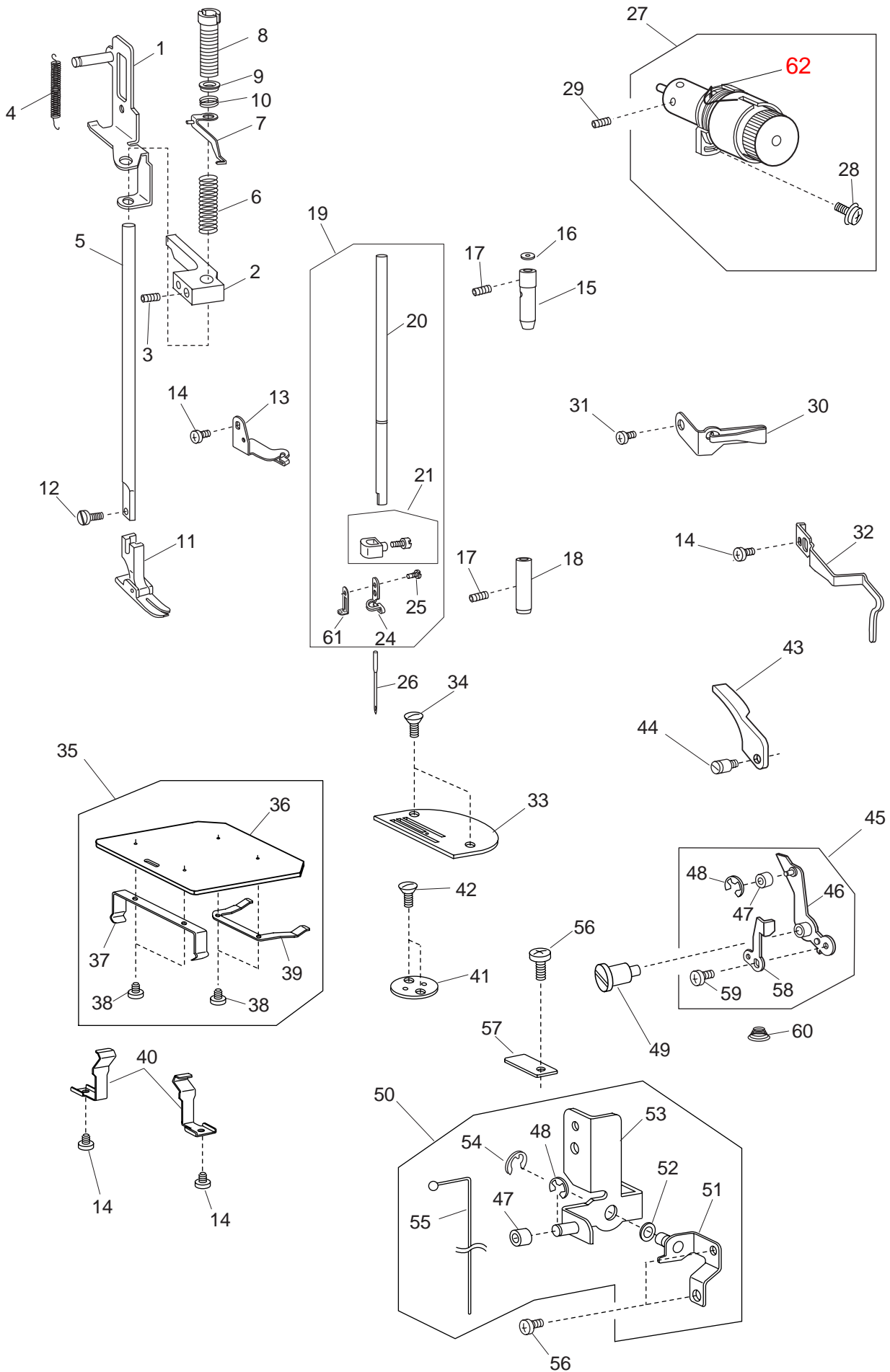
No.	Part number	Description
1	767603306	Top cover (unit)
2	767007201	Top cover
3	846015004	Handle
4	846016005	Pin
5	000115205	Setscrew 4X6
6	767008006	Foot pressure adjusting dial
7	000015101	Snap ring CS-22
8	767639002	Thread guide (unit)
9	000160102	Adjustable lock nut
10	846021003	Top cover thread guide
11	767514114	Pre-tension (unit)
12	000111201	Hexagonal socket screw 4x6
13	767604008	Bobbin winder (unit)
14	846514101	Micro switch
15	000115308	TP screw 2X8
16	000104119	Setscrew 4X20
17	846179007	Motor cover
18	000081005	Setscrew 4X8
19	000101703	Setscrew 4X12
20	000014007	Snap ring CS-4
21	000188405	Cord binder 2
22	767152006	Oil wick fixing plate
23	763033204	Oil wick
24	000101404	Setscrew 4X6
25	767211004	Felt
26	000080901	Setscrew 4X25
27	767602202	Face plate (unit)
28	767005209	Face plate
29	767006107	Foot pressure display window
30	767197003	Presser bar base
31	000103004	Setscrew 3.5X6
32	840602109	Thread cutter (unit)
33	000095105	Setscrew 3X5
34	767208008	Needle sticker
35	000071024	Washer 4
36	000103510	Setscrew 4X10
37	767611008	Front bracket (unit)
38	767016007	Front bracket
39	767038005	Lamp bracket
40	767174004	Lamp cushion
41	501509703	Lamp socket (unit)
42	000094300	Setscrew 2X10
43	767183006	Lamp set plate
44	000001104	Snap ring E-2.3
45	000103808	Setscrew 3X5
46	767146007	Lamp shield plate
47	000026002	Wedge base lamp 12V 5W
48	000071013	Washer



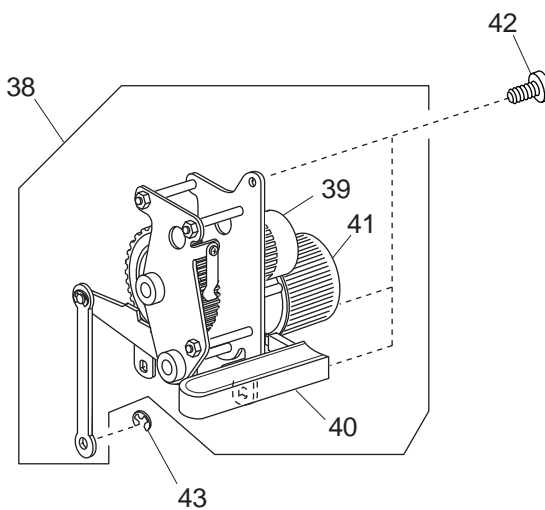
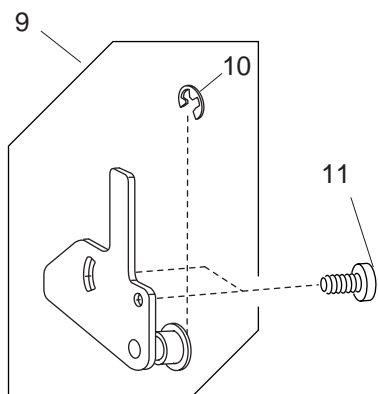
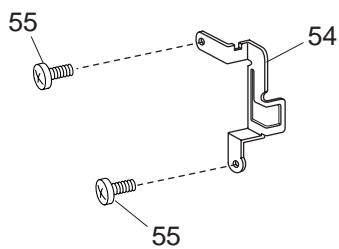
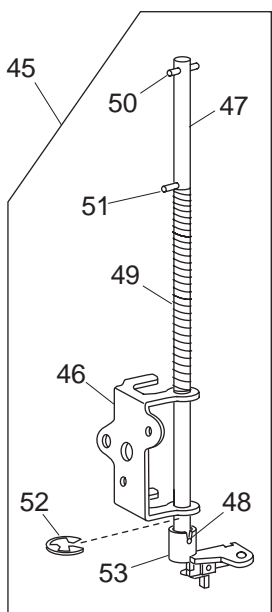
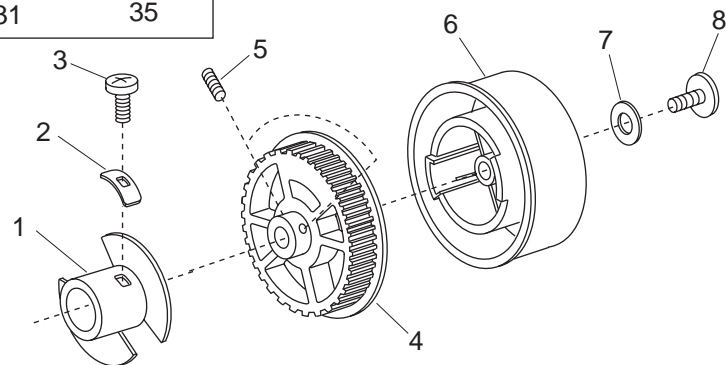
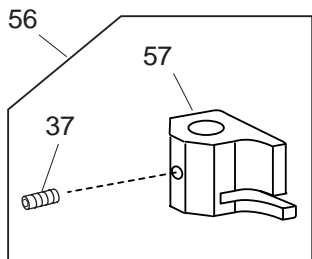
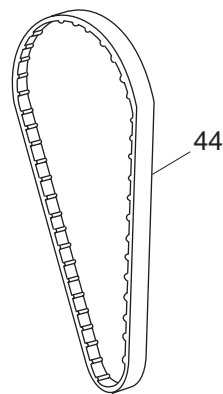
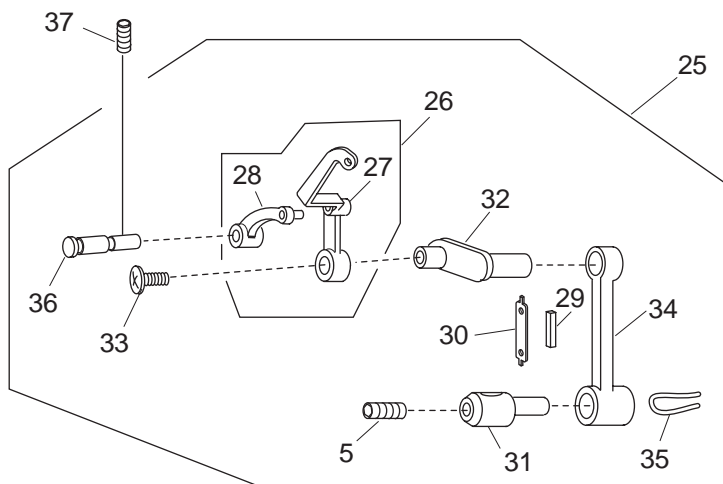
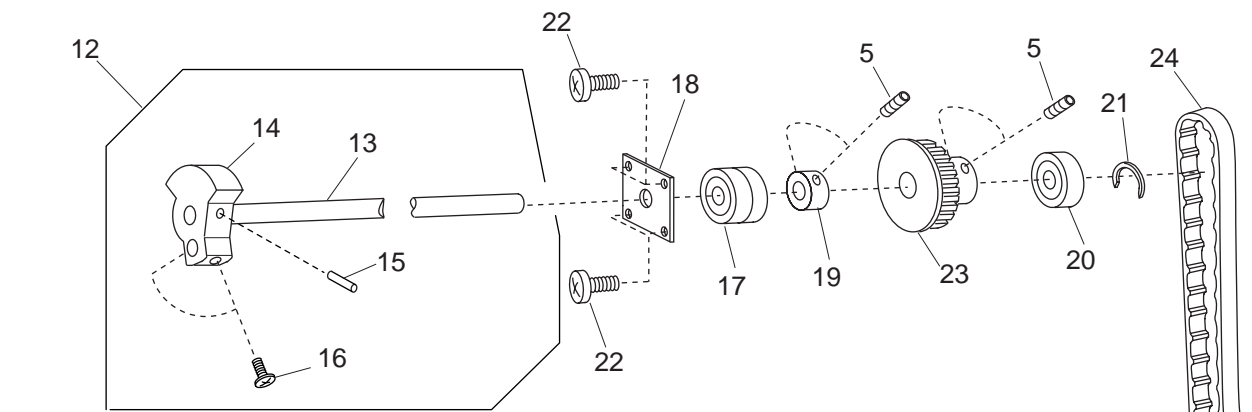
No.	Part number	Description
1	767605009	Belt cover (unit)
2	767011105	Belt cover
3	767014108	Stitch length window
4	767636009	Thread guide (unit)
5	784177000	Thread guide post
6	767015006	Thread guide bar
7	000115700	TP screw 4X10
8	000170507	Setscrew 4 X 12
9	767010001	Motor cover
10	000101806	Setscrew 4 X 16
11	767653002	Motor (unit) (U.S.A. & Canada)
	767665007	Motor (unit) (Australia, U.K. & Continental Europe)
12	_____	_____
13	767507000	Printed circuit board V (unit)
14	_____	_____
15	000103808	Setscrew 3 X 5
16	000062402	Nut 4-2-7
17	_____	_____
18	000115504	TP screw 5 X 10
19	767606000	Base (unit)
20	767012003	Base
21	767013004	Base cover
22	767188001	Table latch spring (2)
23	000171302	Setscrew 4 X 8
24	767187000	Table latch spring (1)
25	000101404	Setscrew 4 X 6
26	767643009	Bed rubber foot (unit)
27	784135006	Bed rubber foot
28	785260004	Bed rubber foot plate
29	784169010	Bed rubber foot screw
30	000070300	Washer



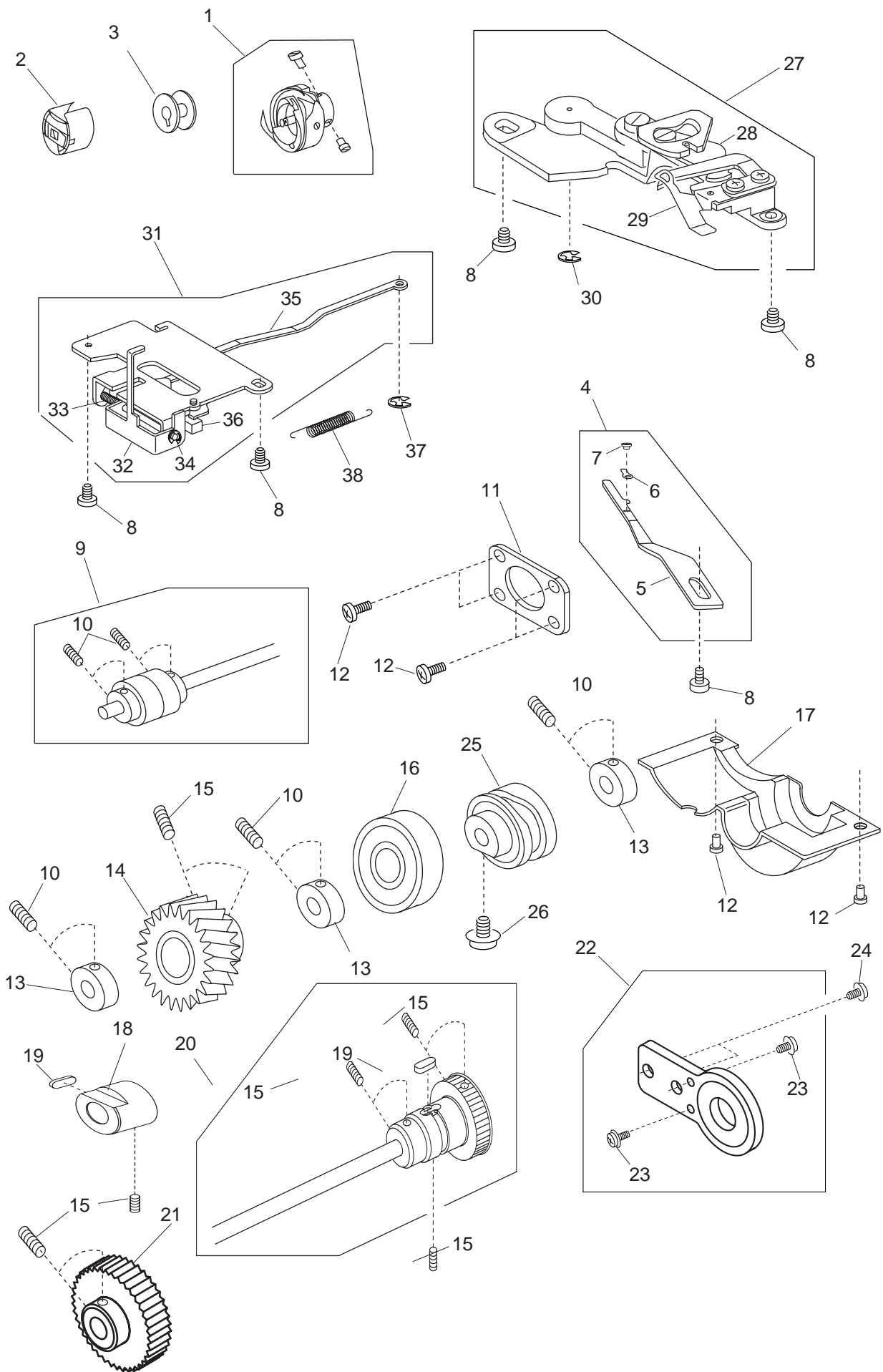
No.	Part number	Description
1	767601027	Ornamental plate (unit)
2	767003207	Ornamental plate
3	767004105	Button 1
4	767501004	Printed circuit board F (unit)
5	000120203	Setscrew 3 X 8
6	767140001	Speed control slider
7	767516002	Slide volume
8	767287001	Emblem
9	000014306	Snap ring CS 3
10	000115205	TP screw 4 X 6
11	767626006	Arm lamp (unit)
12	767126001	Reflector plate
13	000101127	Setscrew 3 X 4
14	767127002	Arm lamp set plate
15	767128003	Lamp holder
16	501509806	Lamp socket (unit)
17	000225209	Setscrew 2.3 X 12 (B)
18	000053008	Cord binder
19	000026002	Wedge base lamp 12V 5W
20	000081005	Setscrew 4 X 8
21	767612009	Oil wick fixing plate (2) (unit)
22	767153007	Oil wick fixing plate
23	763033020	Oil wick
24	000101404	Setscrew 4 X 6
25	767627100	Printed circuit board A (unit) (120V)
	767627203	Printed circuit board A (unit) (230V/240V)
26	767130008	Printed circuit board A case (upper)
27	000161206	Setscrew 3 X 10
28	767532004	Printed circuit board A (unit) (120V)
	767536008	Printed circuit board A (unit) (230V/240V)
29	767129004	Printed circuit board A case (lower) (120V)
30	767285009	Cord guide (2)



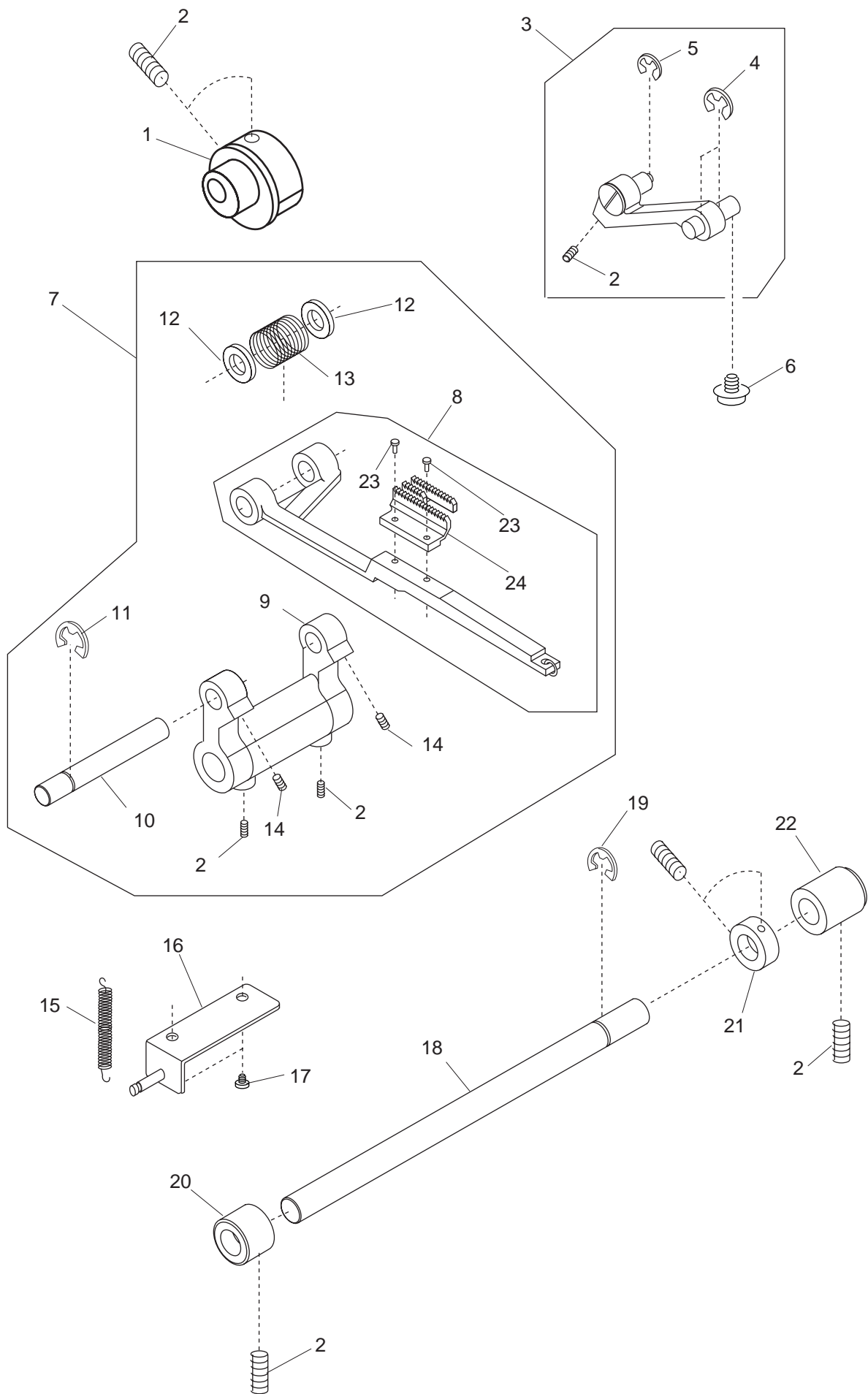
No.	Part number	Description
1	767026000	Presser bar lifter
2	767027001	Presser bar bracket
3	000111304	Hexagonal socket screw 5 X 5
4	846037002	Presser bar spring
5	767028002	Presser bar
6	767029003	Presser spring
7	767030100	Foot pressure indicator
8	767031008	Foot pressure adjusting screw
9	767173003	Spacer
10	767172002	Presser bar sub-spring
11	762505003	Presser foot (unit) (U.S.A. & Canada)
	704511105	Presser foot (unit) (Australia, U.K. & Continental Europe)
12	763048109	Setscrew
13	767039006	Arm thread guide (lower) (1600P model exclusive)
14	000101404	Setscrew 4 X 6
15	767041001	Needle bar bushing (upper)
16	767042002	Felt
17	000111201	Hexagonal socket screw 4 X 4
18	767091006	Needle bar bushing (lower)
19	767641029	Needle bar (unit)
20	767165002	Needle bar (1600P model exclusive)
21	767515001	Needle clamp (unit)
22	-----	-----
23	-----	-----
24	767209009	Needle bar thread guide
25	767210003	Setscrew
26	767401047	Needle HL X 5, #14
27	767502005	Thread tension (unit)
28	000114710	Setscrew TP 3 X 6
29	000111108	Hexagonal socket screw 4 X 6
30	767054007	Arm thread guide
31	000081119	Setscrew
32	767056009	Thread guide
33	767281108	Needle plate
34	102053007	Needle plate set screw
35	767609003	Hook cover plate (unit)
36	767018009	Hook cover plate
37	767019000	Hook cover plate spring
38	820374004	Setscrew 2 X 2.3
39	767020004	Hook cover plate supporter spring
40	767017008	Hook cover plate retainer
41	767021005	Attachment mount
42	681009101	Setscrew
43	767171001	Presser foot lifter
44	846033008	Hinge screw
45	767650009	Thread tension release lever (unit)
46	767230009	Thread tension release lever
47	846210001	Roller
48	000002105	Snap ring E-3
49	767234003	Hinge screw
50	767651000	Thread tension release base plate (unit)
51	767232001	Thread tension release base plate
52	000036500	Thrust washer FT-60
53	767231000	Thread tension release crank
54	000001609	Snap ring E-5
55	767530002	Wire (unit)
56	000081005	Setscrew 4 X 8
57	767233002	Plate
58	767272003	Thread tension release lever plate
59	000103004	Setscrew 3.5 X 6
60	761045007	Thread tension release lever spring
61	767169006	Needle guard
62	767046006	Check spring



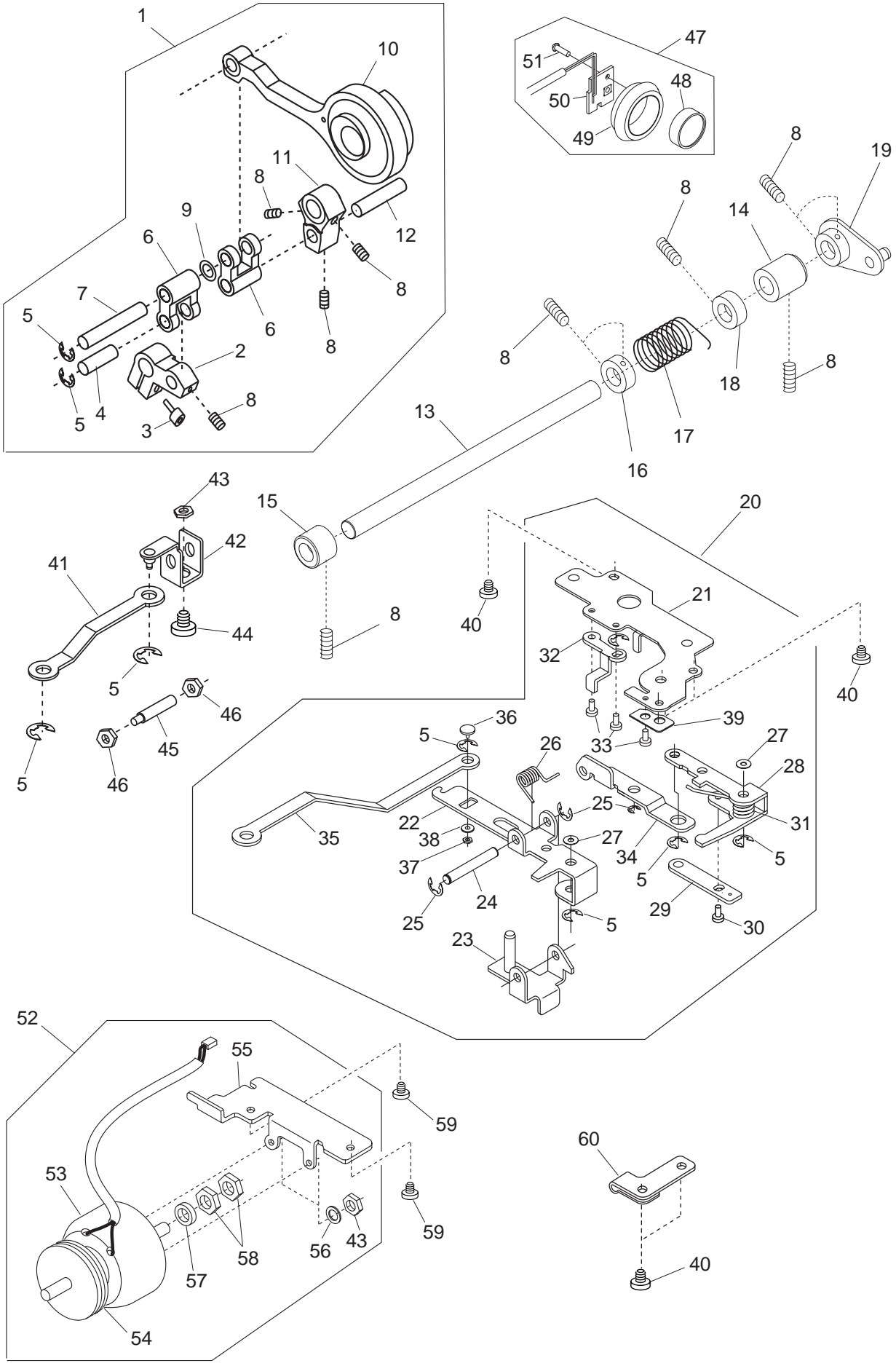
No.	Part number	Description
1	767271002	Upper shaft shield plate
2	820102009	Washer
3	000103509	Setscrew 4 X 10
4	767195001	Belt wheel
5	000111304	Hexagonal socket screw
6	767139007	Hand wheel
7	556047007	Washer
8	618070004	Setscrew
9	767618005	Idler (unit)
10	000002806	Snap ring E6
11	000115504	TP screw 5 X 10
12	767617004	Upper shaft (unit)
13	767064000	Upper shaft
14	767065001	Take up lever crank
15	000028107	Spring pin 4 X 25
16	761102003	Setscrew
17	767186009	Ball bearing (720 IA-DF)
18	767176006	Washer
19	767077006	Ring
20	767178008	Ball bearing (6901ZZ)
21	000032702	Snap ring crescent (5103-46)
22	000101404	Setscrew 4 X 6
23	767070009	Upper shaft timing gear
24	767071000	Timing belt
25	767638001	Take up lever (unit)
26	767503006	Take up lever (unit)
27	761088002	Take up lever
28	761089003	Take up lever supporter
29	650040005	Felt
30	650041006	Felt holder
31	767073002	Needle bar connecting stud
32	761086000	Needle bar crank pin
33	761087001	Setscrew
34	767072001	Needle bar crank rod
35	763033400	Oil wick
36	761091008	Take up lever pin
37	000111201	Hexagonal socket screw
38	767624004	Feed adjusting base (unit)
39	767118103	Indicator drum
40	767124102	Reverse stitch lever
41	767115007	Stitch length dial
42	000081005	Setscrew
43	000001609	Snap ring E-5
44	767136004	Timing belt
45	767632005	Needle threader (unit)
46	767034001	Needle threader plate
47	767032009	Needle threader shaft
48	000004808	Spring pin 2 X 6
49	767033000	Needle threader spring
50	000125208	Pin E 2 X 10
51	000125404	Pin G 2 X 14
52	000002105	Snap ring E-3
53	767633006	Needle threader guard plate (unit)
54	767168005	Needle threader guide plate
55	000103808	Setscrew 3 X 5
56	767634007	Needle threader positioning base (unit)
57	767043003	Needle threader positioning base



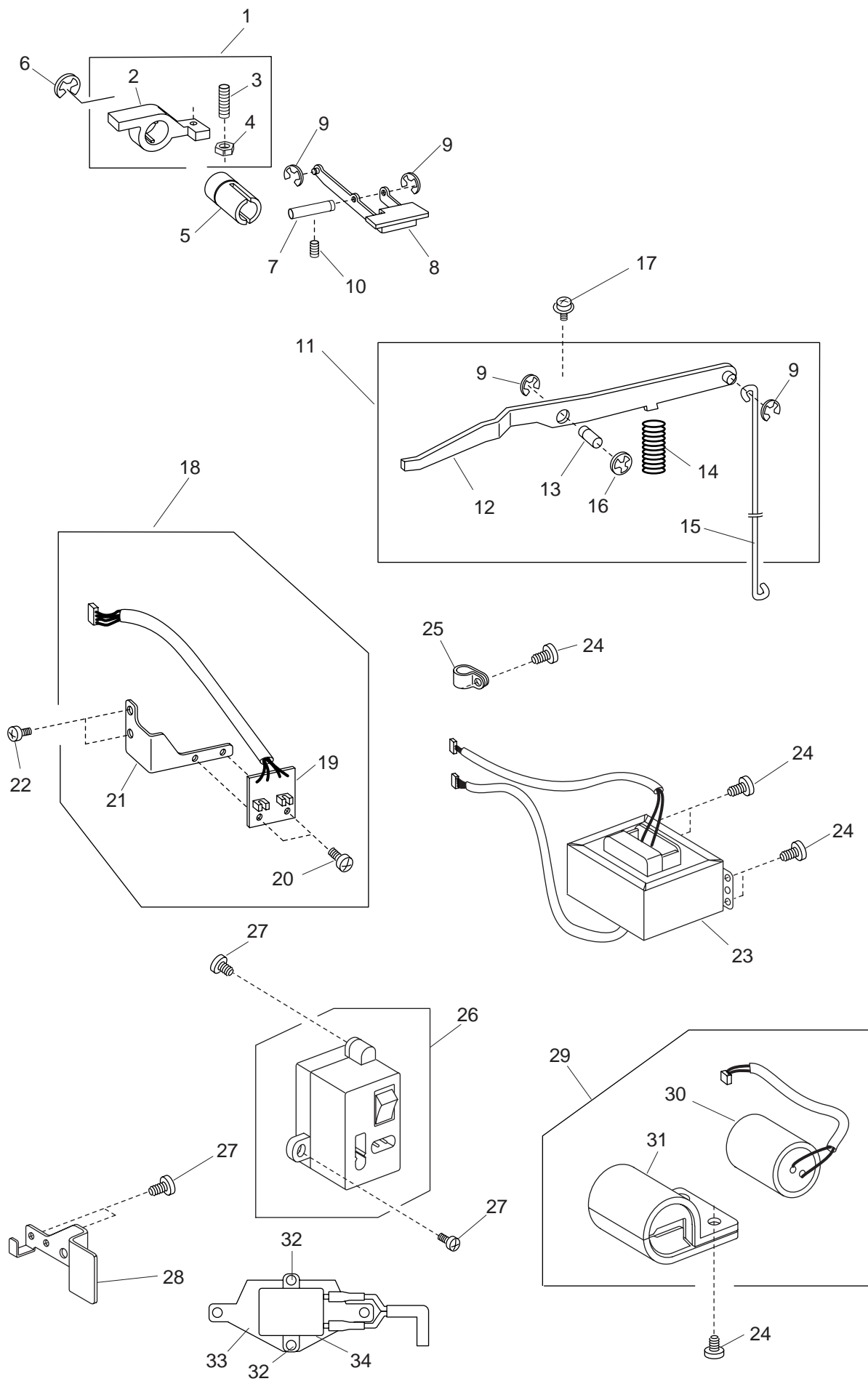
No.	Part number	Description
1	761510008	Hook race (unit)
2	767510006	Bobbin case (unit)
3	761094104	Bobbin
4	767518004	Hook race stopper (unit)
5	767079008	Hook race stopper
6	767201001	Hook race stopper spring
7	000169709	Setscrew 2 X 2.3
8	000081005	Setscrew 4 X 8
9	767652104	Hook race shaft (unit)
10	000111201	Hexagonal socket screw
11	767180003	Holder plate
12	000101404	Setscrew 4 X 6
13	820166001	Lower shaft ring
14	767081003	Hook race gear
15	000111304	Hexagonal socket screw
16	767182005	Ball bearing (698Z)
17	767084006	Gear cover
18	767085007	Lower shaft bushing
19	767067003	Felt
20	767644000	Lower shaft (unit)
21	767087009	Lower shaft gear
22	767613000	Lower shaft supporter (unit)
23	000115205	TP screw 4 X 6
24	000114802	TP screw 4 X 12
25	767241003	Thread cutter cam
26	000114606	TP screw 3 X 14
27	767657006	Auto-thread cutter unit
28	767264002	Thread cutter blade
29	767266004	Thread guide plate
30	000001609	Snap ring E-5
31	767658007	Thread drawing lever (unit)
32	767268006	Thread drawing lever
33	767280004	Spring
34	000002105	Snap ring E-3
35	767251006	Link
36	767259004	Cushion 3
37	000002507	Snap ring E-4
38	767276007	Spring



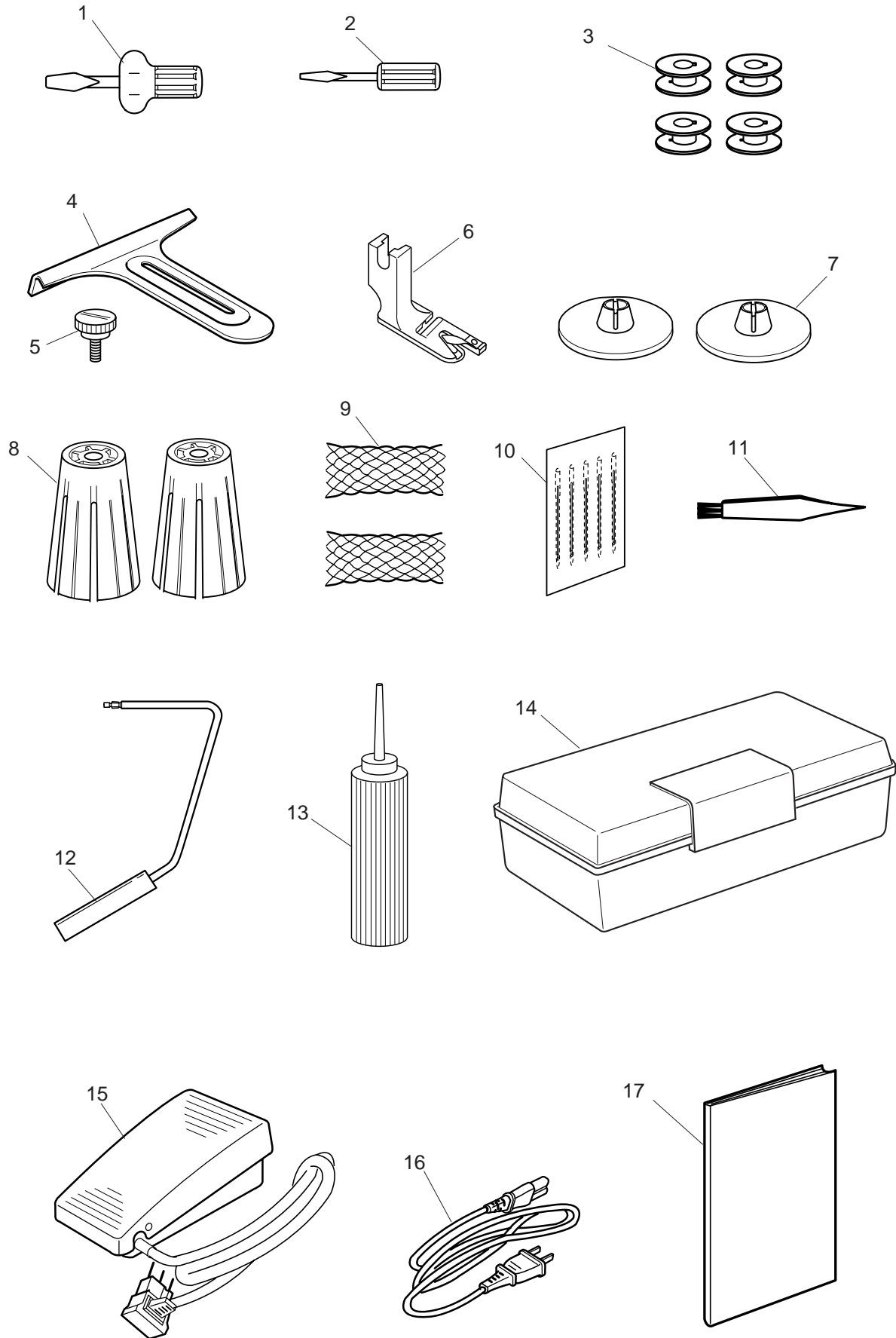
No.	Part number	Description
1	767089001	Feed lifting cam
2	000111304	Hexagonal socket screw
3	767620000	Feed link (unit)
4	000002909	Snap ring E-7
5	000002507	Snap ring E-4
6	000114802	TP screw 4 X 12
7	767619109	Feed base (unit) (1)
8	767621104	Feed base (unit) (2)
9	767094009	Feed rock arm
10	767095000	Feed rock arm pin
11	000001609	Snap ring E-5
12	822063003	Felt (2)
13	767212005	Felt holder spring
14	000111201	Hexagonal socket screw
15	767120005	Feed base spring
16	767121006	Spring attach plate
17	000101404	Setscrew
18	767096001	Feed rock shaft
19	000002806	Snap ring E-8
20	767097002	Bushing
21	639095000	Ring
22	767099004	Bushing
23	102160008	Setscrew
24	764058105	Feed dog



No.	Part number	Description
1	767663005	Feed regulator (unit)
2	767100009	Feed adjusting arm
3	000218106	Bolt 5 X 16
4	767101000	Pin
5	000001609	Snap ring E-5
6	767102001	Feed link
7	767106005	Pin
8	000111304	Hexagonal socket screw 5 X 5
9	767157001	Washer
10	767664006	Feed cam (unit)
11	767107006	Feed adjusting arm
12	767159003	Pin
13	767108007	Feed adjusting shaft
14	767099004	Bushing (front)
15	767097002	Bushing (rear)
16	639095000	Lower shaft ring
17	767111003	Feed regulator spring
18	639095103	Lower shaft ring
19	767112004	Feed adjusting arm
20	767654003	Thread cutter driving base (unit)
21	767242004	Driving arm base plate
22	767244006	Driving arm
23	767243005	Link
24	767253008	Driving arm pin
25	000002507	Snap ring E-4
26	767247005	Cam spring
27	000036108	Thrust washer FT-70
28	767245007	Driving lever
29	767252007	Thread drawing arm
30	000101404	Setscrew 4 X 6
31	767275006	Spring
32	767282006	Guard plate
33	000103004	Setscrew 3.5 X 6
34	767246008	Thread tension release arm
35	767247009	Thread cutter link
36	767248000	Hinge screw (3)
37	000061102	Nut 4-1-7
38	000070506	Washer 4
39	767289003	Limiter plate
40	000081005	Setscrew 4 X 8
41	767249001	Link
42	767250005	Coupling
43	000061319	Nut 5-1-8
44	000102003	Setscrew 5 X 10
45	767238007	Wire joint
46	000061412	Nut 5-3-8
47	767661003	Thread cutter button (unit)
48	767283100	Button (2)
49	767284008	Button holder
50	753511107	Printed circuit board UD (unit)
51	000161701	Setscrew 2.3 X 5 (B)
52	767655004	Solenoid (unit)
53	767534006	Push-pull solenoid (unit)
54	767288002	PP sheet
55	767254009	Set plate
56	000070300	Washer 5
57	767258003	Cushion 2
58	000062907	Nut 8-3-13
59	000115504	TP screw 5 X 10
60	767235004	Plate (2)



No.	Part number	Description
1	767642008	Knee lifter lever (1) (unit)
2	767057000	Knee lifter lever (1)
3	000196107	Hexagonal socket screw 5 X 20 (Ball point)
4	000061412	Nut
5	767058001	Knee lifter shaft
6	000030009	Snap ring E-10
7	767059002	Shaft
8	767060006	Knee lifter lever (2)
9	000001609	Snap ring E5
10	000111201	Hexagonal socket screw 4 X 4
11	767616003	Knee lifter lever (3) (unit)
12	846171009	Knee lifter lever (unit)
13	767062008	Knee lifter lever shaft
14	846173001	Knee lifter lever spring
15	767063009	Presser foot lifter rod
16	000013800	Snap ring CS-6
17	000115700	TP Screw 4 X 10
18	767631004	Upper shaft sensor (unit)
19	843505409	Printed circuit board P (unit)
20	000103808	Setscrew 3 X 5
21	767131009	Sensor fixing plate
22	000066705	Setscrew 3 X 8
23	767505008	Transformer (unit) 120V
	767537009	Transformer (unit) 230V/240V
24	000081005	Setscrew 4 X 8
25	000188601	Cord binder
26	767660002	Machine socket (unit) 120V
	767666008	Machine socket (unit) 230V/240V
27	000103509	Setscrew 4 X 10
28	767237006	Cord binder (1)
29	767659008	Capacitor (unit)
30	767535007	Capacitor
31	767279000	Capacitor case
32	000103808	Setscrew
33	767277008	Noise filter set plate (230V/240 only)
34	767538000	Noise filter (unit) (230V/240 only)



No.	Part number	Description
1	820832005	Large screwdriver
2	647803004	Small screwdriver
3	761094104	Bobbin
4	200100801	Cloth guide
5	825252000	Thumb screw
6	761172004	Hemmer foot
7	822020503	Spool cap
8	784223105	Spool holder
9	624806006	Net
10	767802008	Assorted needle set
11	802424004	Lint brush
12	846811008	Knee lifter (unit)
13	762456204	Oil
14	366401400	Accessory box
15	043670206	Foot control
16	653524007	Power supply cord (U.S.A. & Canada)
	830335004	Power supply cord (Continental Europe)
	830377008	Power supply cord (U.K.)
	830314018	Power supply cord (Australia)
17	767800039	Instruction book (English)
	767800040	Instruction book (Dutch, German & French)
	767800084	Instruction book (English, French & Spanish)
	767800095	Instruction book (Norwegian, Sweden & Danish)
	767800109	Instruction book (Italy, Finnish & Portuguese)