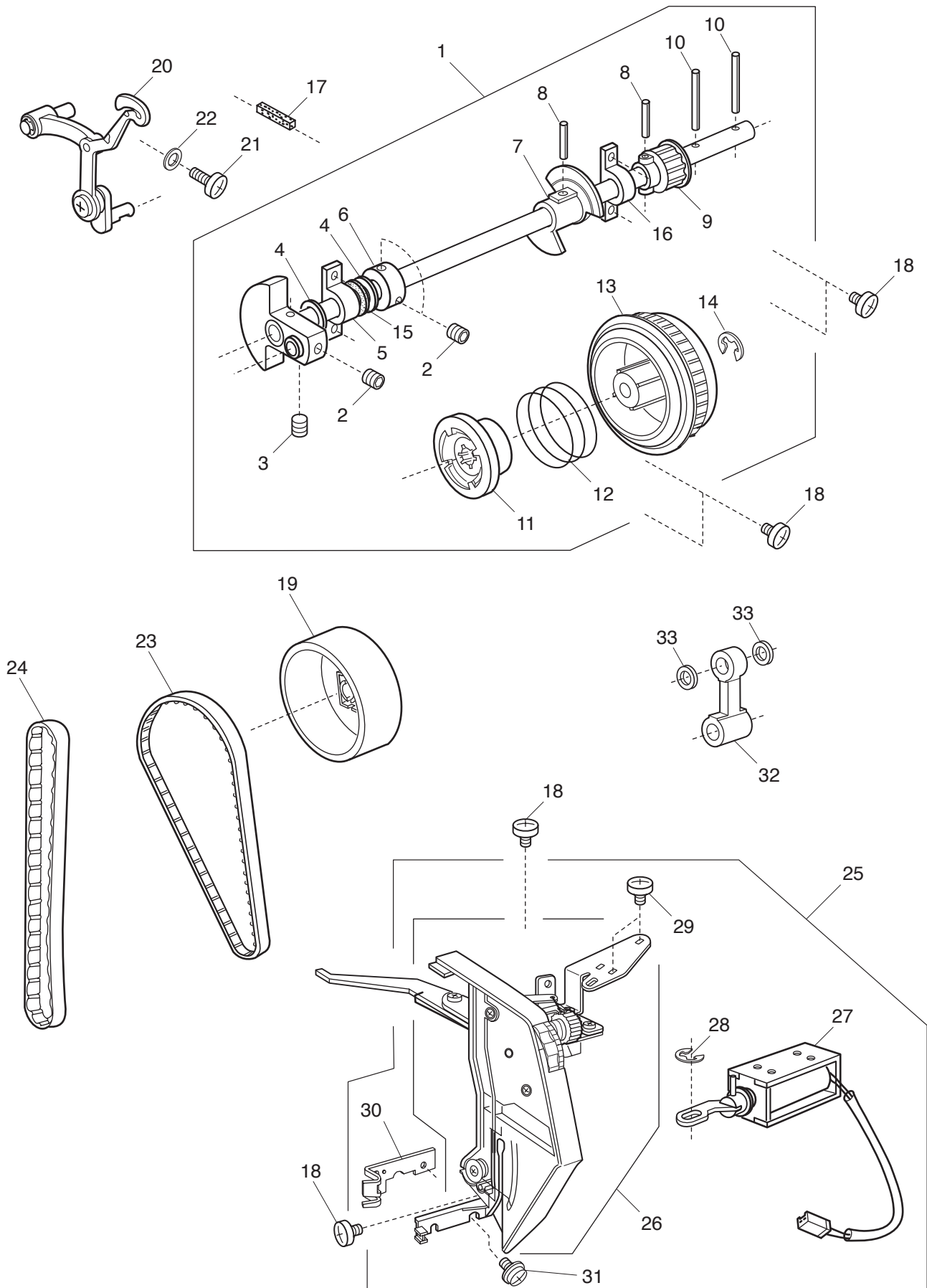


PARTS LIST

MODEL: 4120QDC (T)

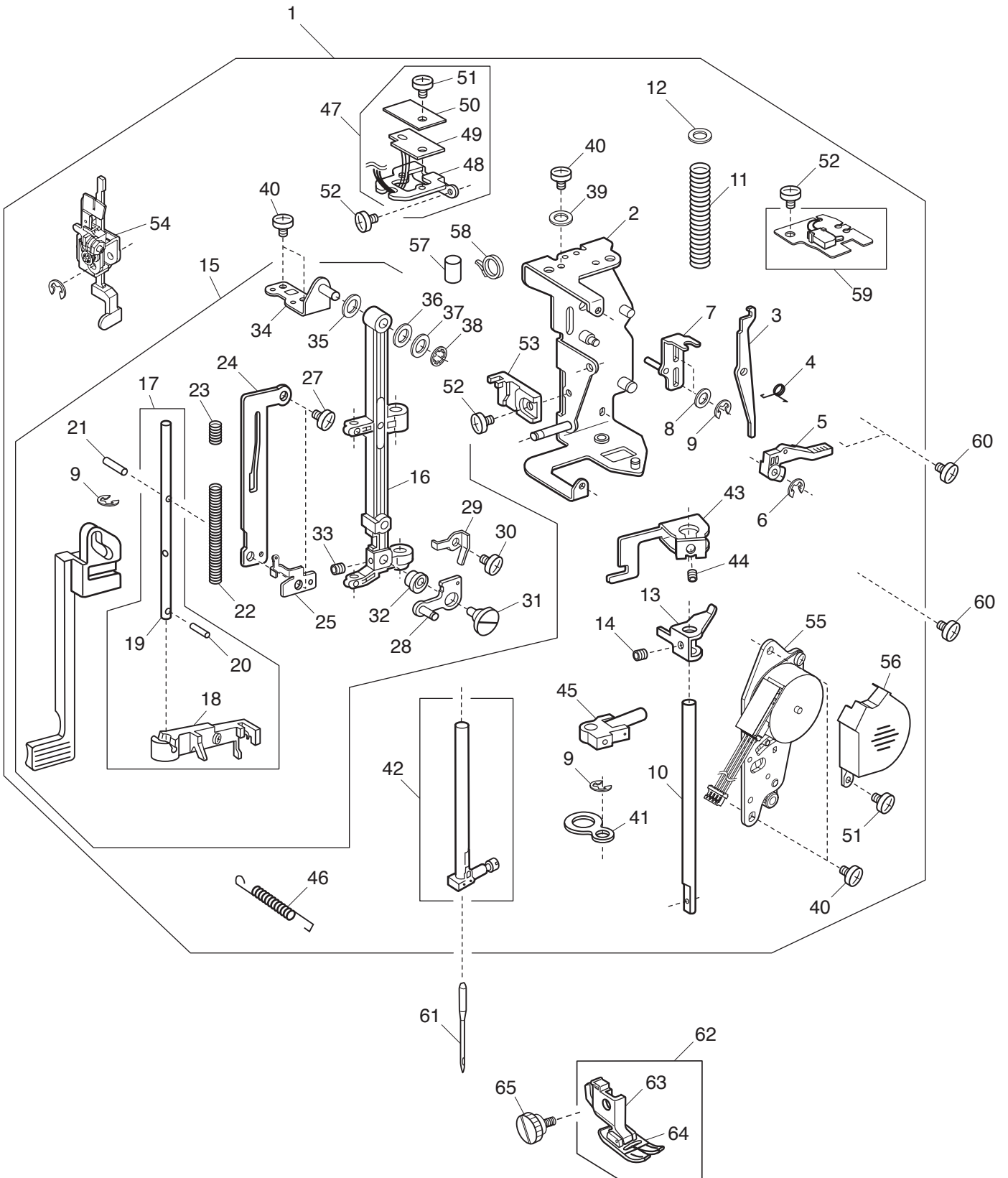
PARTS LIST



PARTS LIST

KEY NO.	PARTS NO.	DESCRIPTION
1	808601005	Upper shaft (unit)
2	000111201	Hexagonal socket screw 4x4
3	000112800	Hexagonal socket screw 4x6
4	000036201	Washer FT80
5	508120006	Shaft supporter plate
6	820166001	Lower shaft ring
7	808003001	Upper shaft shielding plate
8	000004200	Spring pin 3x18
9	508021006	Upper shaft gear
10	000024206	Spring pin 3x30
11	502064003	Clutch ring
12	661024007	Clutch spring
13	508055009	Belt wheel
14	000002806	Snap ring E-6
15	823110009	Felt
16	508054101	Shaft fixing plate
17	650040005	Felt
18	000081005	Setscrew 4x8
19	508056000	Handwheel
20	808648004	Thread take-up lever (unit)
21	000103509	Setscrew 4x10
22	000072302	Washer 4
23	808021005	Timing belt
24	808037004	Belt
25	808616210	Thread tension (unit)
26	808501118	Thread tension
27	808604008	Solenoid (unit)
28	000002105	Snap ring E-3
29	000101105	Setscrew 3x4
30	809023000	Face plate spring supporter
31	000114709	Setscrew TP 3x6
32	808005003	Needle bar crank rod
33	000036005	Washer FT60

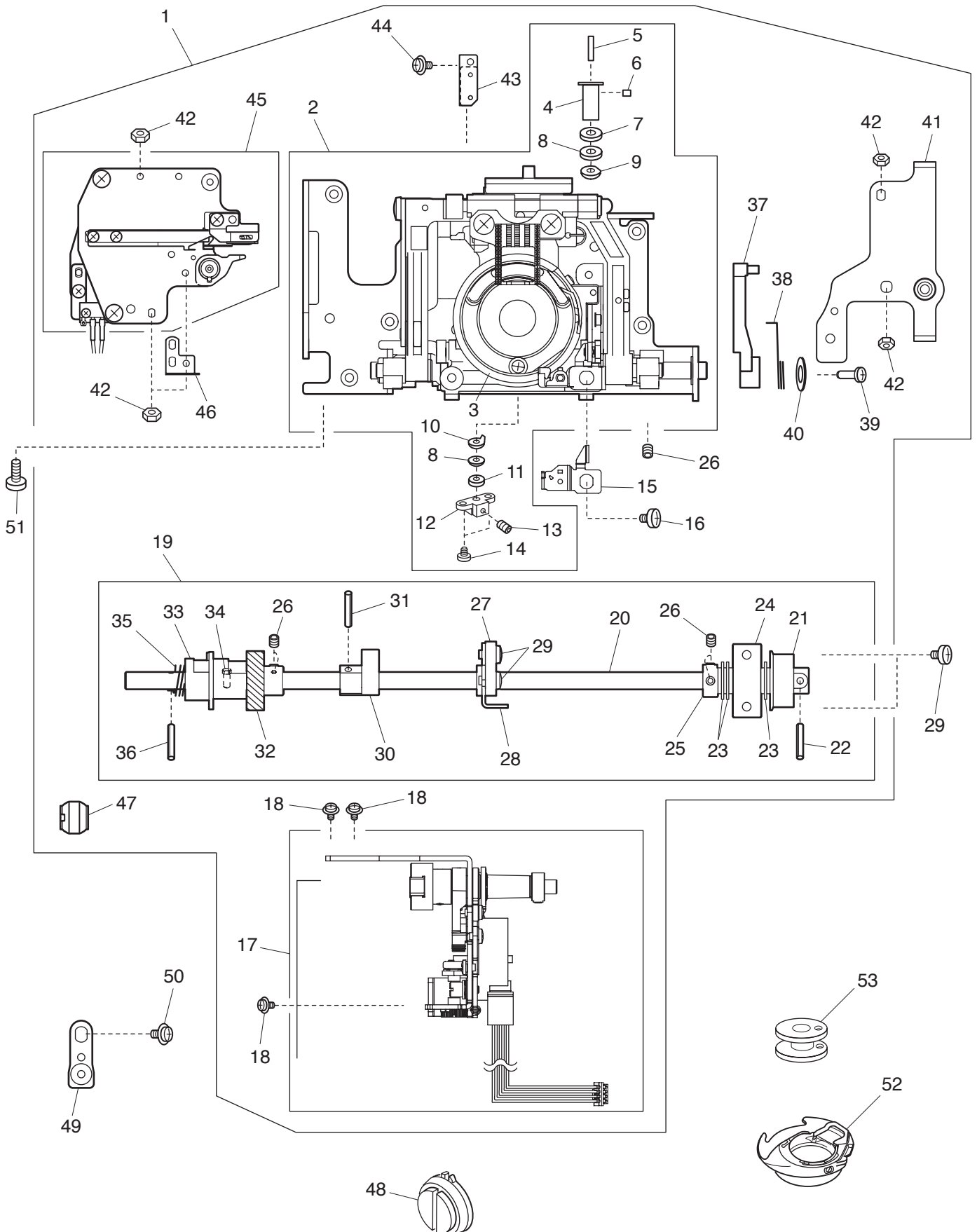
PARTS LIST



PARTS LIST

KEY NO.	PARTS NO.	DESCRIPTION
1	808640615	Presser bar base plate (unit)
2	808006107	Presser bar base plate
3	808007005	Thread tension release lever
4	503041007	Thread tension release spring
5	502024001	Presser foot lifter
6	000001609	Snap ring E-5
7	808076005	Presser bar spring adjusting plate
8	000072508	Washer 4
9	000002105	Snap ring E-3
10	508002104	Presser bar
11	808081003	Presser bar spring
12	625102008	Washer
13	508039007	Presser bar supporter
14	000111500	Hexagonal socket screw 4x8
15	808603007	Needle bar supporter (unit)
16	808008006	Needle bar supporter
17	842637006	Threader shaft (unit)
18	842638007	Threader plate (unit)
19	840036025	Threader shaft
20	000003508	Spring pin 2x8
21	000125105	Guide pin E-2x16-CH
22	842090001	Threader shaft spring
23	842096007	Threader lever spring
24	842091002	Threader guide plate
25	844036027	Threader lever plate
26	842092003	Threader lever
27	000078319	Setscrew 3x6
28	808015006	Zigzag width rod
29	827088009	Zigzag width rod spring
30	820373003	Setscrew 2x3
31	678084007	Eccentric pin
32	808074003	Washer
33	000111902	Hexagonal socket screw 3x4
34	808009007	Supporter adjusting plate
35	000036500	Washer FT60
36	673022002	Spring washer
37	000070609	Washer 6
38	000013903	Snap ring CS-5
39	000072003	Washer 5
40	000101404	Setscrew 4x6
41	808010001	Supporter guide plate
42	508607105	Needle bar (unit)
43	808011002	Threader position set plate
44	000177205	Hexagonal socket screw 3x6
45	508509003	Needle bar connecting stud (unit)
46	844038018	Needle bar supporter spring
47	808606103	Buttonhole sensor (unit)
48	845002005	Sensor set plate
49	843502602	Printed circuit board E1 (unit)
50	845029008	Insulation paper
51	000101105	Setscrew 3x4
52	000103808	Setscrew 3x5
53	830057021	Buttonhole lever guide
54	808673008	Buttonhole lever (unit)
55	808605803	Zigzag width motor (unit)
56	809019014	Motor cover
57	809046009	Tube
58	000053008	Cord binder
59	808611008	Presser foot lift switch (unit)
60	000081005	Setscrew 4x8
61	102408089	Needle
62	660509008	Presser foot (unit)
63	660806019	Presser foot holder (unit)
64	832523007	Zigzag foot (unit)
65	647112009	Thumbscrew

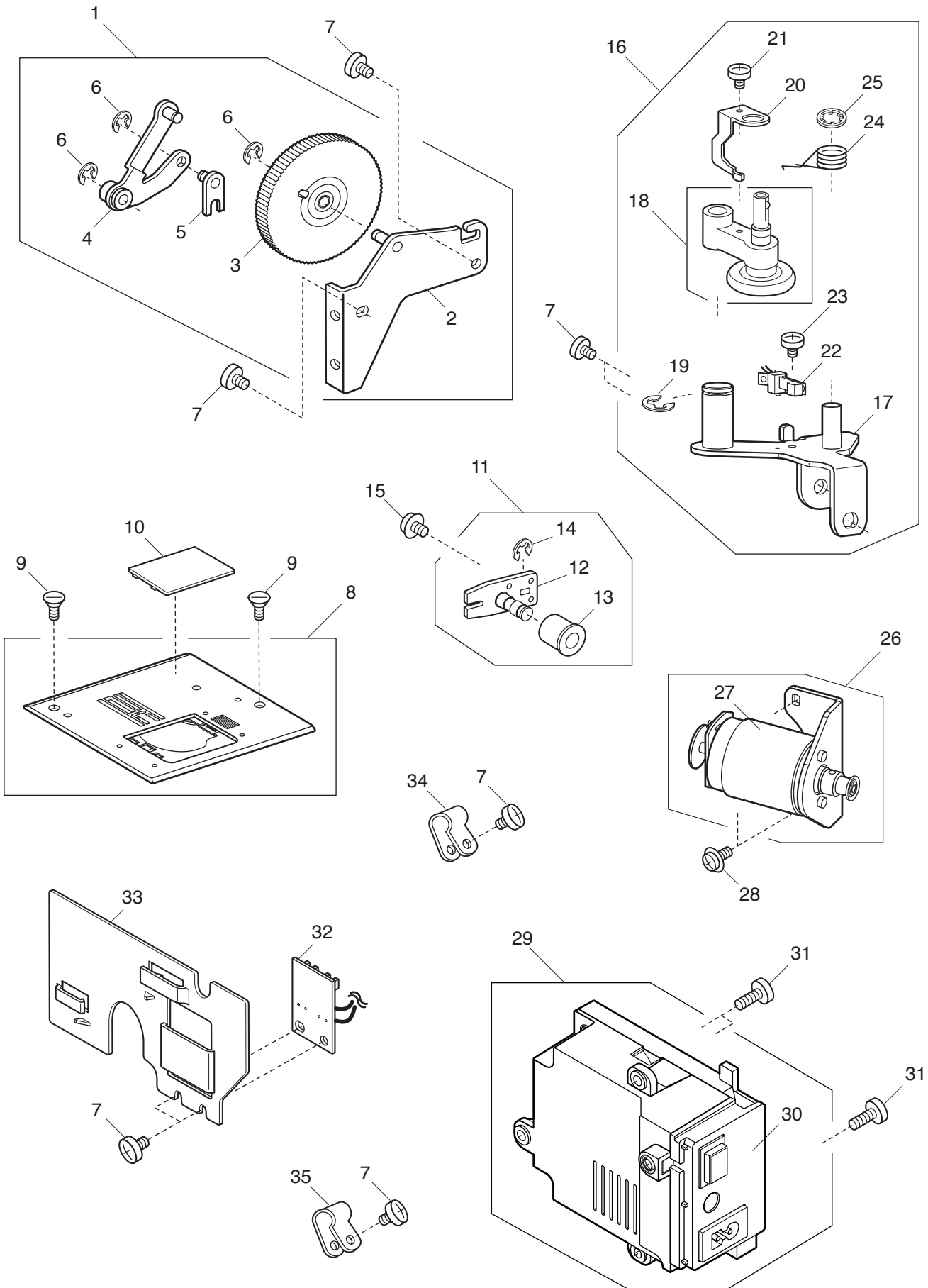
PARTS LIST



PARTS LIST

KEY NO.	PARTS NO.	DESCRIPTION
1	809620184	Hook race (whole unit)
2	809621015	Hook race (unit)
3	660536004	Hook body (unit)
4	820123006	Hook race shaft
5	820124007	Hook shaft oil wick (1)
6	820125008	Hook shaft oil wick (2)
7	508118001	Washer
8	000038409	Washer
9	508139008	Magnet set plate
10	627192001	Washer
11	625102008	Washer
12	508072002	Hook race shaft base
13	000111304	Hexagonal socket screw 5x5
14	000103705	Setscrew 4x5
15	627567104	Bobbin holder stopper (unit)
16	000101404	Setscrew 4x6
17	809607510	Feed regulator (unit)
18	000115205	Setscrew TP 4x6
19	809602009	Lower shaft (unit)
20	808027207	Lower shaft
21	508021006	Upper shaft gear
22	000004200	Spring pin 3x18
23	000038502	Washer
24	508054008	Shaft supporter plate
25	820166001	Lower shaft ring
26	000111201	Hexagonal socket screw 4x4
27	809017001	Lower shaft supporter
28	809016000	Lower shaft supporter plate
29	000081005	Setscrew 4x8
30	809014008	Feed cam
31	000005407	Spring pin 3x12
32	808137005	Lower shaft gear
33	846103000	Feed lifting cam
34	820161006	Feed lifting pin
35	808075004	Feed lifting cam spring
36	000022802	Spring pin 2x12
37	809013007	Feed fork
38	809015009	Feed fork spring
39	820172000	Pin
40	000071105	Washer 5
41	809064003	Needle plate set plate (right)
42	000063104	Nut 3-2-5.5
43	825515004	Feed base plate (unit)
44	825237009	Setscrew
45	809623305	Thread cutter (unit)
46	808105107	Slide position adjusting plate
47	732034003	Lower shaft rear bushing
48	809053009	Feed balancing dial 2
49	809042005	Lower shaft bushing set plate
50	000115607	Setscrew TP 4x8
51	000101703	Setscrew 4x12
52	858570009	Bobbin holder (unit)
53	102261103	Bobbin

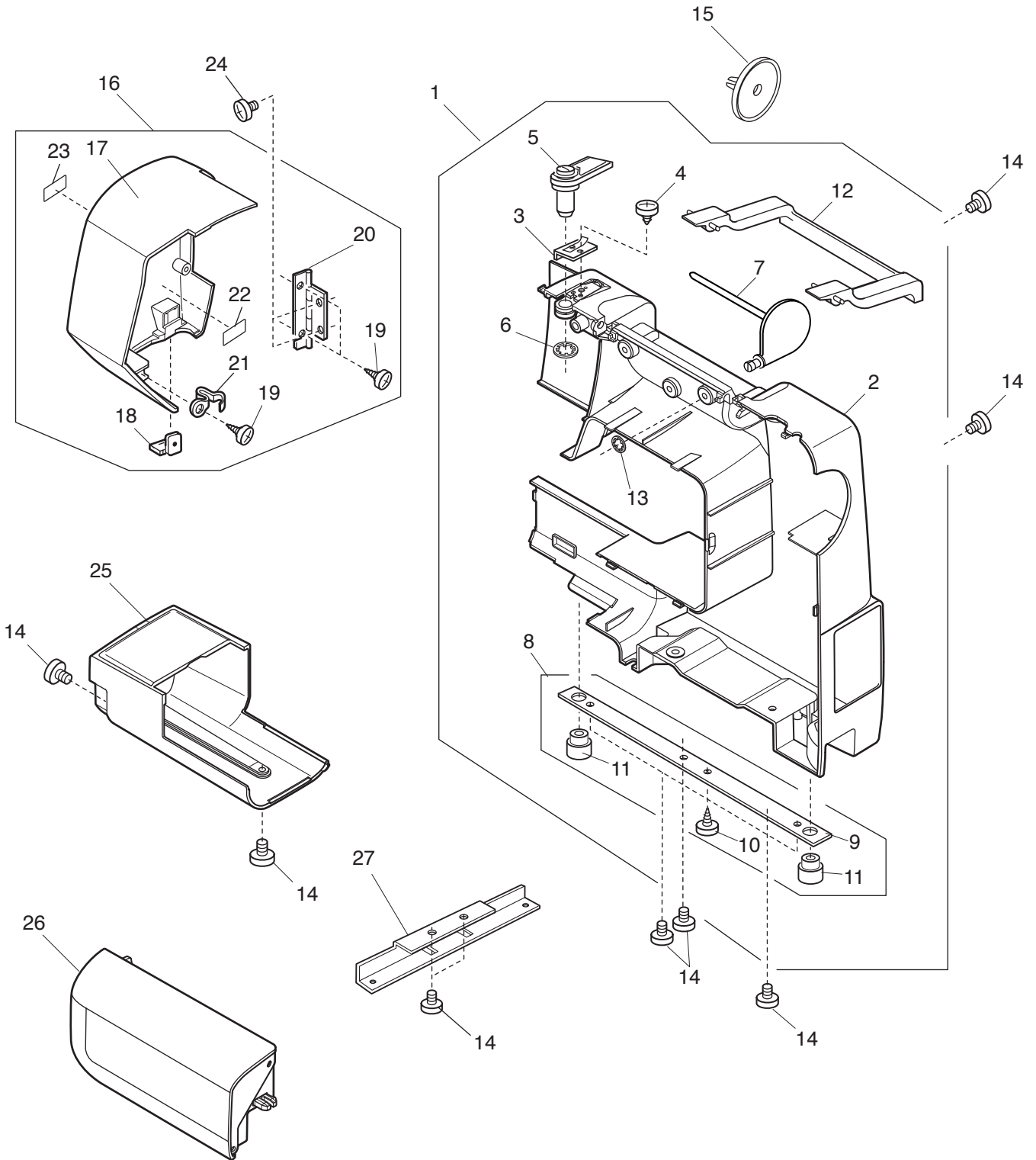
PARTS LIST



PARTS LIST

KEY NO.	PARTS NO.	DESCRIPTION
1	809608005	Presser foot pressure adjustment (unit)
2	809018002	Presser foot pressure adjusting set plate
3	808078203	Presser foot pressure dial
4	808079008	Adjusting arm 1
5	808080002	Adjusting arm 2
6	000002105	Snap ring E-3
7	000081005	Setscrew 4x8
8	809511000	Needle plate (unit)
9	681009101	Setscrew
10	846271103	Hook cover plate
11	808614001	Idler (unit)
12	808038005	Idler set plate
13	625217100	Idler
14	000002806	Snap ring E-6
15	000115607	Setscrew TP 4x8
16	808615002	Bobbin winder (unit)
17	808039006	Bobbin winder set plate
18	508507001	Bobbin winder arm (unit)
19	000001609	Snap ring E-5
20	508111004	Clutch lever
21	000120203	Setscrew 3x8 (B)
22	856512100	Switch (unit)
23	000081706	Setscrew 2.5x5
24	808040000	Spring
25	000013903	Snap ring CS-5
26	808617004	DC motor (unit)
27	808502005	DC motor (unit)
28	000115700	Setscrew TP 4x10
29	808657202	Switching regulator (unit)
30	808525303	Switching regulator
31	000103509	Setscrew 4x10
32	808504007	Printed circuit board P (unit)
33	808181004	Cord guide
34	000188209	Nylon clip ACC-1.5
35	000188405	Nylon clip ACC-2

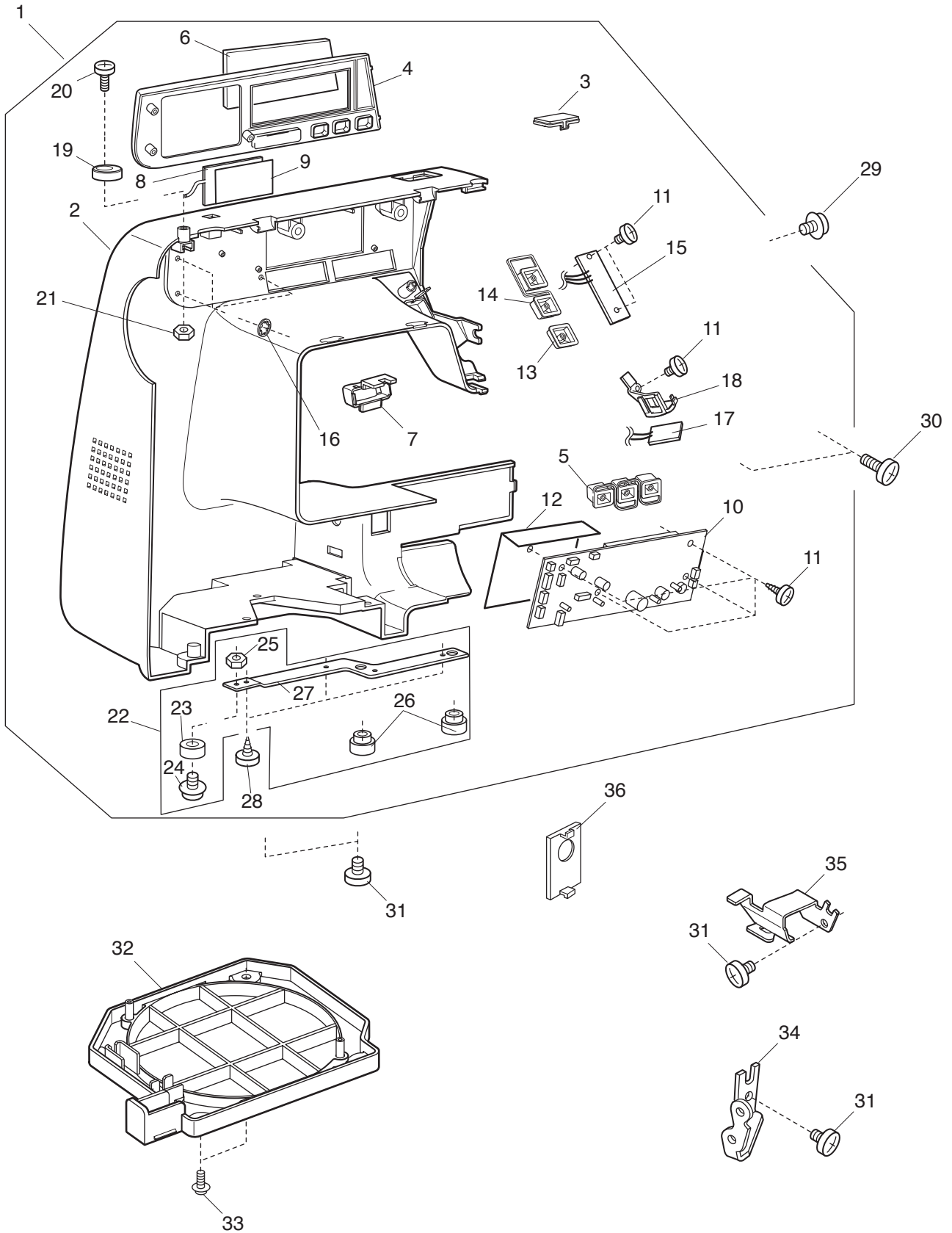
PARTS LIST



PARTS LIST

KEY NO.	PARTS NO.	DESCRIPTION
1	809604322	Rear cover (unit)
2	809025A06	Rear cover
3	827503108	Top cover thread guide (unit)
4	000162001	Setscrew 2.6x5
5	650503322	Thread guide (unit)
6	000014409	Snap ring CS-8
7	809027004	Spool pin
8	809661006	Arm leg rear (unit)
9	809028005	Arm leg rear
10	000198604	Setscrew 4x14 (B)
11	735003002	Bed rubber cushion
12	809026003	Carrying handle
13	000013800	Snap ring CS-6
14	000081005	Setscrew 4x8
15	822020503	Spool holder
16	809606092	Face plate (unit)
17	809040A04	Face plate
18	840602006	Thread cutter (unit)
19	000161206	Setscrew 3x10 (B)
20	851503103	Face plate hinge (unit)
21	731067002	Face plate spring
22	100045000	Caution sticker
23	100517008	Caution sticker (CSA)
24	000081119	Setscrew 4x6
25	808061007	Free arm cover
26	808508001	Extension table (unit)
27	809024001	Arm sole set plate

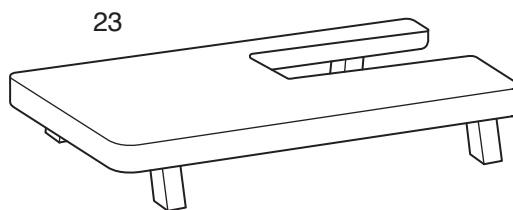
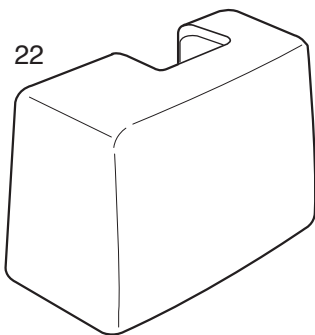
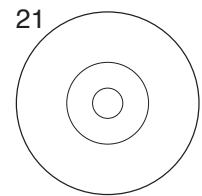
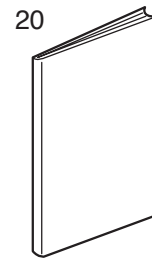
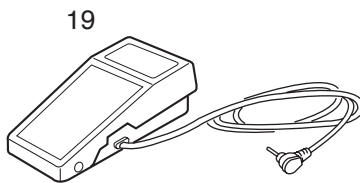
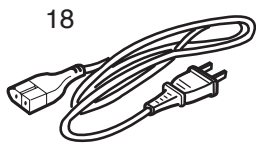
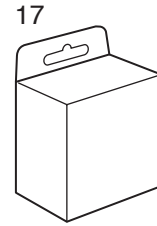
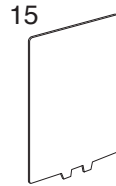
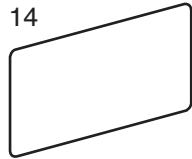
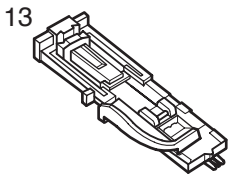
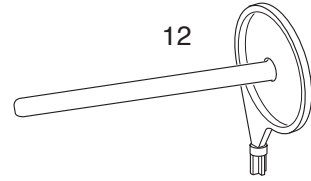
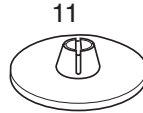
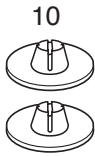
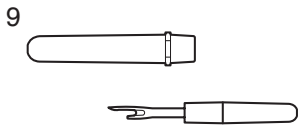
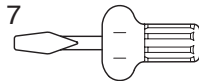
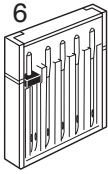
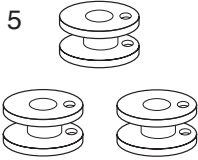
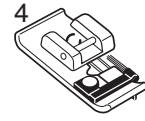
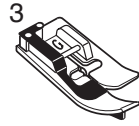
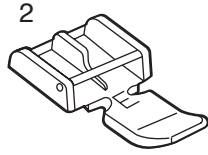
PARTS LIST



PARTS LIST

KEY NO.	PARTS NO.	DESCRIPTION
1	809605068	Front cover (unit) (4120QDC (T))
	809605138	Front cover (unit) (4120QDC (G))
2	809030A06	Front cover (4120QDC (T))
	809030A10	Front cover (4120QDC (G))
3	808103002	Front cover lid
4	809031C01	Panel 1 (4120QDC (T))
	809031D01	Panel 1 (4120QDC (G))
5	809033128	Button 1
6	809032806	Panel 2 (4120QDC (T))
	809032A07	Panel 2 (4120QDC (G))
7	809036202	Slide volume
8	809501007	Touch panel (unit)
9	809043109	Touch panel seat (4120QDC (T))
	809037A09	Touch panel seat (4120QDC (G))
10	809405033	Printed circuit board A (unit)
11	000120203	Setscrew 3x8 (B)
12	809048001	Flame retardant insulating paper
13	809035027	Start/stop button (4120QDC (T))
	809035120	Start/stop button (4120QDC (G))
14	809034129	Button 2
15	809502008	Printed circuit board F (unit)
16	000014007	Snap ring CS-4
17	858511116	Printed circuit board L (unit)
18	808118000	Lamp holder 2
19	735016307	Bobbin winder stopper
20	000101828	Setscrew 4x16
21	000061205	Nut 4-3-7
22	809660005	Arm sole front (unit)
23	639005003	Rubber foot
24	000114802	Setscrew TP 4x12
25	000160102	Adjustable lock nut 4
26	735003002	Bed rubber cushion
27	809038008	Arm sole front
28	000198604	Setscrew 4x14 (B)
29	000115205	Setscrew TP 4x6
30	000160401	Setscrew 4x16 (B)
31	000081005	Setscrew 4x8
32	808059301	Bed cover
33	000149312	Setscrew 3x8
34	639080002	Front cover set plate
35	808016018	Arm thread guide
36	809039009	Cap

PARTS LIST



PARTS LIST

KEY NO.	PARTS NO.	DESCRIPTION
1	822804129	Satin foot (F) (for U.S.A.)
	822804118	Satin foot (F) (for Canada)
2	808852003	Zipper foot (E)
3	825817009	Blind hem foot (G)
4	822801001	Overedge foot (C)
5	102261103	Bobbin
6	820827007	Assorted needle set
7	820832005	Screwdriver
8	802424004	Lint brush
9	647808009	Seam ripper (Buttonhole opener)
10	822019509	Spool holder (small)
11	822020503	Spool holder
12	809041004	Spool pin
13	753801004	Buttonhole foot (R)
14	809806005	Caution card
15	809801206	Stitch chart
16	809809008	Stitch chart base
17	200100007	Quilting attachment (unit)
18	856519004	Power supply cord
19	C-1036	Foot control
20	809850602	Instruction book (English)
	809850613	Instruction book (French)
	809850679	Instruction book (Spanish)
21	809808007	Instructional DVD
22	404701404	Hard cover
23	808401003	Large extension table