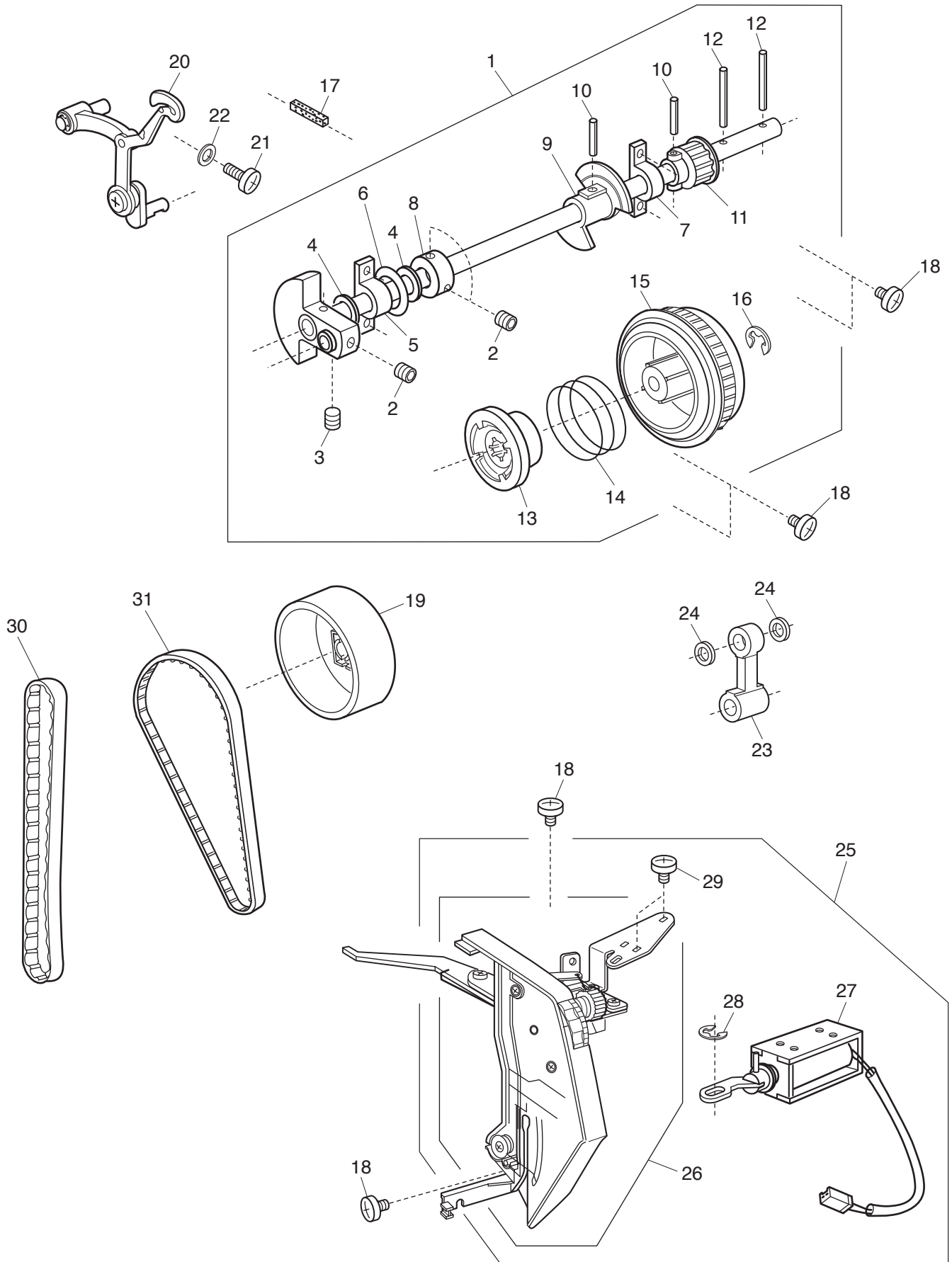


PARTS LIST

MODEL: 3160QDC (G)
(Fourth specification)

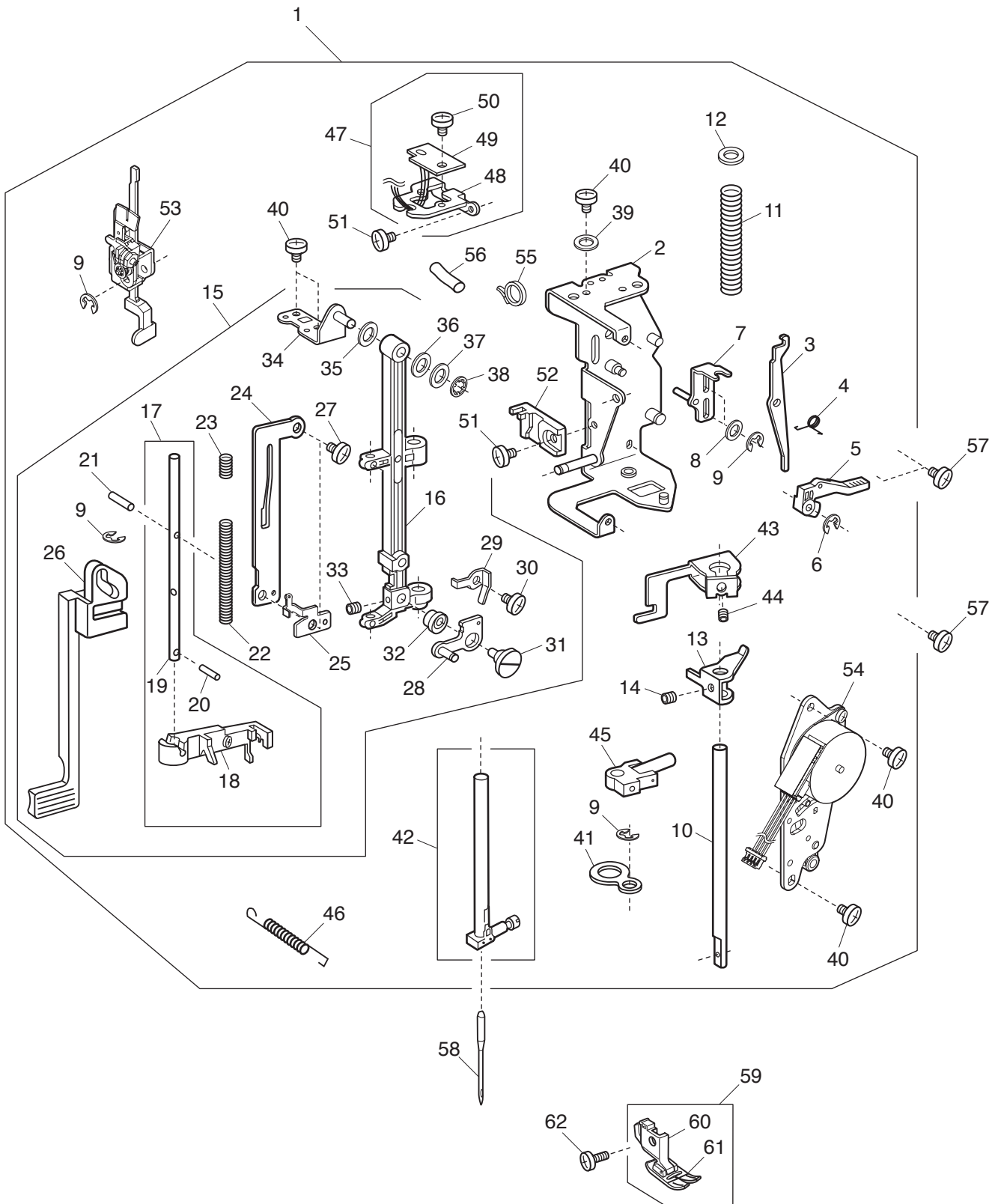
PARTS LIST



PARTS LIST

KEY NO.	PARTS NO.	DESCRIPTION
1	808601005	Upper shaft (unit)
2	000111201	Hexagonal socket screw 4x4
3	000112800	Hexagonal socket screw 4x6
4	000036201	Washer FT80
5	508120006	Shaft supporter plate
6	823110009	Felt
7	508054101	Shaft supporter plate
8	820166001	Lower shaft ring
9	808003001	Upper shaft shielding plate
10	000004200	Spring pin 3x18
11	508021006	Upper shaft gear
12	000024206	Spring pin 3x30
13	502064003	Clutch ring
14	661024007	Clutch spring
15	508055009	Belt wheel
16	000002806	Snap ring E-6
17	650040005	Felt
18	000081005	Setscrew 4x8
19	508056000	Handwheel
20	808648004	Thread take-up lever (unit)
21	000103509	Setscrew 4x10
22	000072302	Washer 4
23	808005003	Needle bar crank rod
24	000036005	Washer FT60
25	808616302	Thread tension (unit)
26	808501118	Thread tension
27	808604008	Solenoid (unit)
28	000002105	Snap ring E-3
29	000101105	Setscrew 3x4
30	808037004	Synchro belt S5M
31	808021005	Timing belt 120

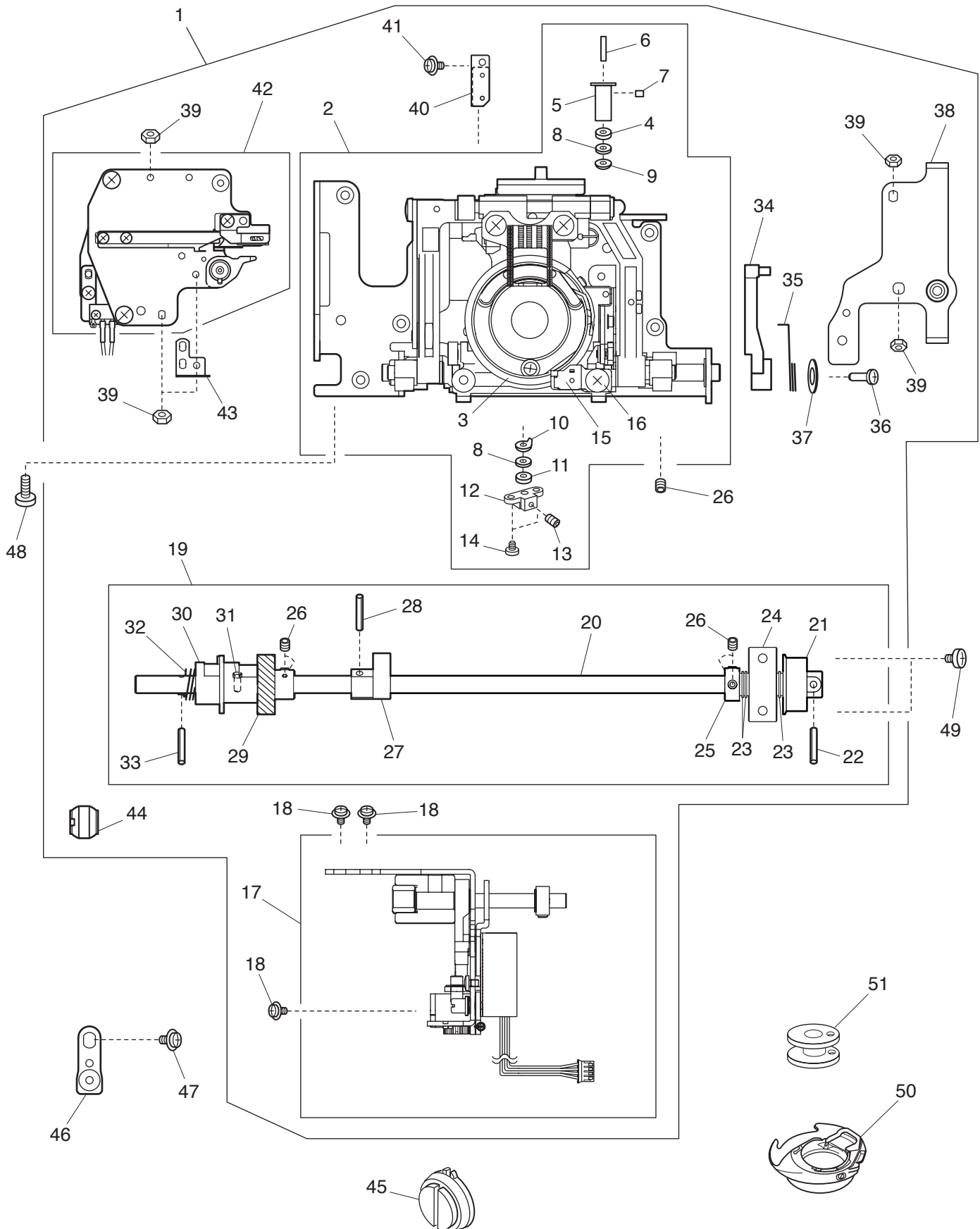
PARTS LIST



PARTS LIST

KEY NO.	PARTS NO.	DESCRIPTION
1	808640419	Presser bar base plate (unit)
2	808006107	Presser bar base plate
3	808007005	Thread tension release lever
4	503041007	Thread tension release spring
5	502024001	Presser foot lifter
6	000001609	Snap ring E-5
7	808076005	Presser bar spring adjusting plate
8	000072508	Washer 4
9	000002105	Snap ring E-3
10	508002104	Presser bar
11	808081003	Presser bar spring
12	625102008	Washer
13	508039007	Presser bar supporter
14	000111500	Hexagonal socket screw 4x8
15	808603007	Needle bar supporter (unit)
16	808008006	Needle bar supporter
17	842637006	Threader shaft (unit)
18	842638007	Threader plate (unit)
19	840036025	Threader shaft
20	000003508	Spring pin 2x8
21	000125105	Guide pin E-2x16-CH
22	842090001	Threader shaft spring
23	842096007	Threader lever spring
24	842091002	Threader guide plate
25	844036027	Threader lever plate
26	842092003	Threader lever
27	000078319	Setscrew 3x6
28	808015006	Zigzag width rod
29	827088009	Zigzag width rod spring
30	820373003	Setscrew 2x3
31	678084007	Eccentric pin
32	808074003	Washer
33	000111902	Hexagonal socket screw 3x4
34	808009007	Needle bar supporter adjust plate
35	000036500	Washer FT60
36	673022002	Spring washer
37	000070609	Washer 6
38	000013903	Snap ring CS-5
39	000072003	Washer 5
40	000101404	Setscrew 4x6
41	808010001	Supporter guide plate
42	508607105	Needle bar (unit)
43	808011002	Threader position set plate
44	000177205	Hexagonal socket screw 3x6
45	508509003	Needle bar connecting stud (unit)
46	844038018	Needle bar supporter spring
47	808606000	Buttonhole sensor (unit)
48	845002005	Sensor set plate
49	843502602	Printed circuit board E1 (unit)
50	000101105	Setscrew 3x4
51	000103808	Setscrew 3x5
52	830057021	Buttonhole lever guide
53	808673008	Buttonhole lever (unit)
54	808605607	Zigzag width motor (unit)
55	000053008	Cord binder
56	-----	Tube
57	000081005	Setscrew 4x8
58	102408089	Needle
59	660509008	Presser foot (unit)
60	660806019	Presser foot holder
61	832523007	Zigzag foot
62	660106001	Setscrew

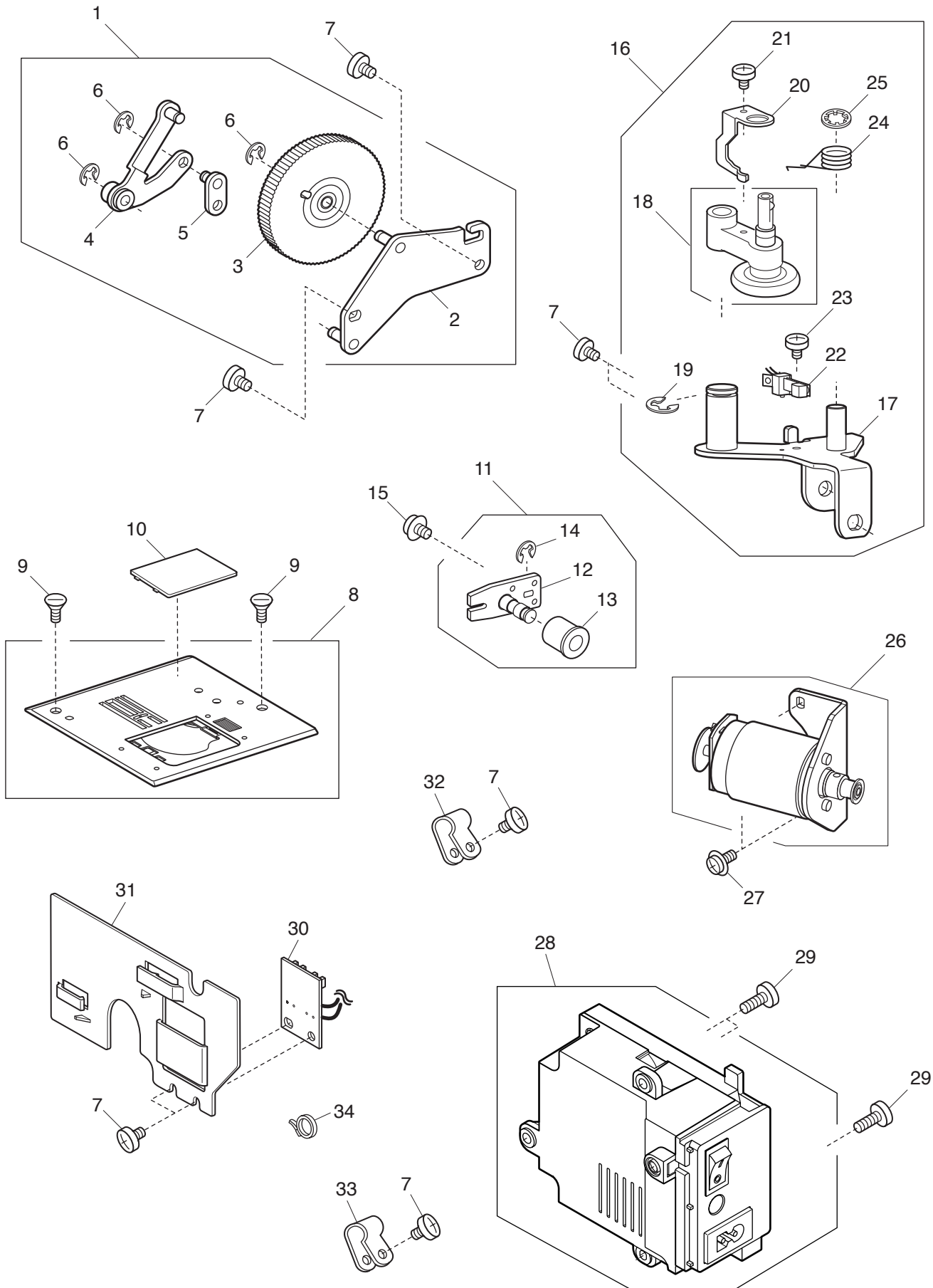
PARTS LIST



PARTS LIST

KEY NO.	PARTS NO.	DESCRIPTION
1	809620254	Hook race (whole unit)
2	809621015	Hook race (unit)
3	660536004	Hook body (unit)
4	508118001	Washer
5	820123006	Hook race shaft
6	820124007	Hook shaft oil wick (1)
7	820125008	Hook shaft oil wick (2)
8	000038409	Washer
9	508139008	Magnet set plate
10	627192001	Washer
11	625102008	Washer
12	508072002	Hook race shaft base
13	000111304	Hexagonal socket screw 5x5
14	000103705	Setscrew 4x5
15	627567104	Bobbin holder stopper (unit)
16	000101404	Setscrew 4x6
17	809607510	Feed regulator (unit)
18	000115205	Setscrew TP 4x6
19	809602205	Lower shaft (unit)
20	808027207	Lower shaft
21	508021006	Upper shaft gear
22	000004200	Spring pin 3x18
23	000038502	Washer
24	508054008	Shaft supporter plate
25	820166001	Lower shaft ring
26	000111201	Hexagonal socket screw 4x4
27	809014008	Feed cam
28	000005407	Spring pin 3x12
29	808137005	Lower shaft gear
30	846103000	Feed lifting cam
31	820161006	Feed lifting pin
32	808075004	Feed lifting cam spring
33	000022802	Spring pin 2x12
34	809013007	Feed fork
35	809015009	Feed fork spring
36	820172000	Pin
37	000071105	Washer
38	809064003	Needle plate set plate (right)
39	000063104	Nut 3-2-5.5
40	825515004	Feed base plate (unit)
41	825237009	Setscrew
42	809623305	Thread cutter (unit)
43	808105107	Slide position adjusting plate
44	732034003	Lower shaft bushing
45	809053009	Feed balancing dial 2
46	809042005	Lower shaft bushing set plate
47	000115607	Setscrew TP 4x8
48	000101703	Setscrew 4x12
49	000081005	Setscrew 4x8
50	858570009	Bobbin holder (unit)
51	102261103	Bobbin

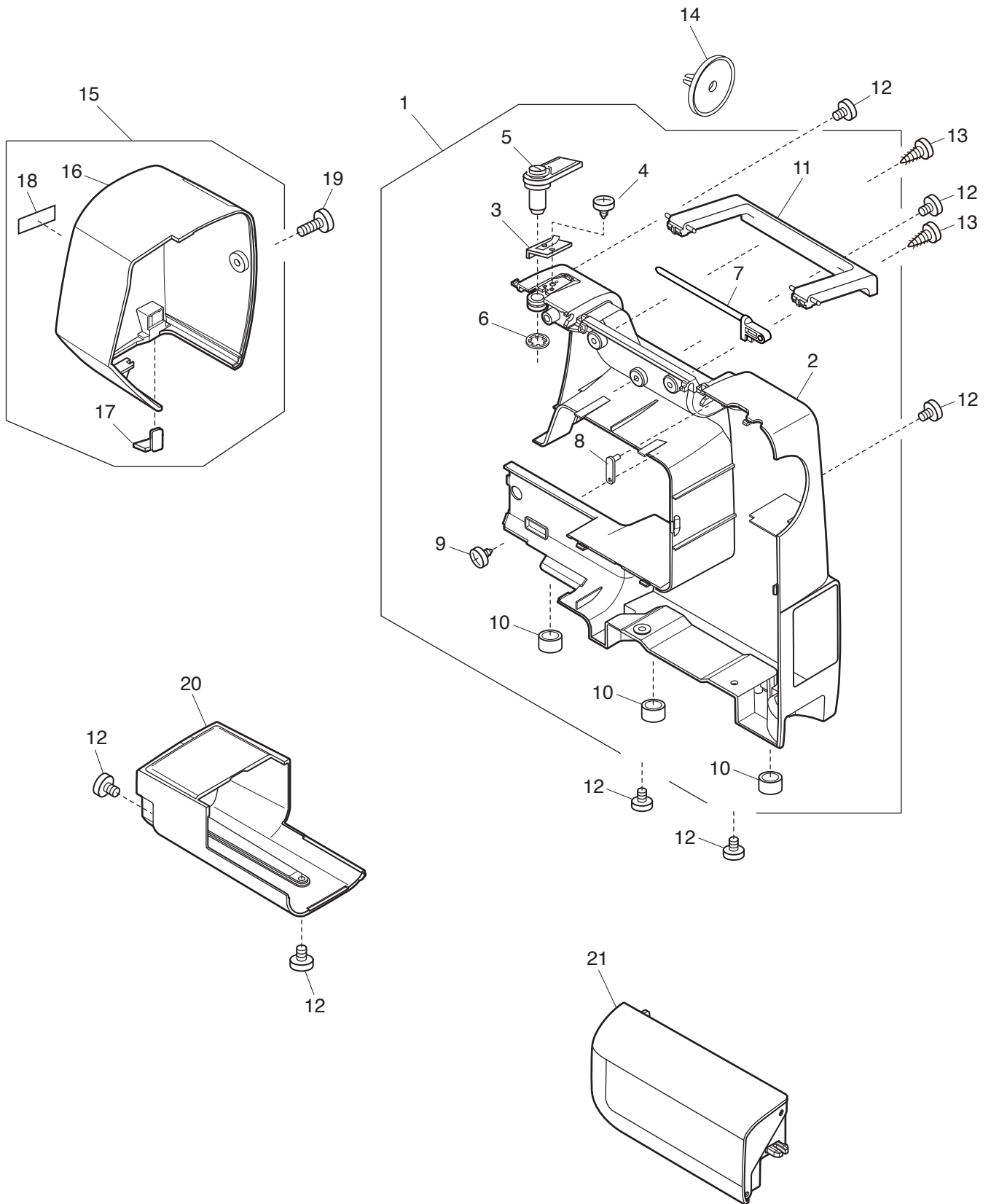
PARTS LIST



PARTS LIST

KEY NO.	PARTS NO.	DESCRIPTION
1	808618005	Presser foot pressure adjustment (unit)
2	808077006	Presser foot pressure adjusting set plate
3	808078100	Presser foot pressure dial
4	808079008	Adjusting arm 1
5	808080002	Adjusting arm 2
6	000002105	Snap ring E-3
7	000081005	Setscrew 4x8
8	809511000	Needle plate (unit)
9	681009101	Setscrew
10	846271103	Hook cover plate
11	808614001	Idler (unit)
12	808038005	Idler set plate
13	625217100	Idler
14	000002806	Snap ring E-6
15	000115607	Setscrew TP 4x8
16	808615002	Bobbin winder (unit)
17	808039006	Bobbin winder set plate
18	508507001	Bobbin winder arm (unit)
19	000001609	Snap ring E-5
20	508111004	Clutch lever
21	000120203	Setscrew 3x8 (B)
22	856512100	Leaf switch (unit)
23	000081706	Setscrew 2.5x5
24	808040000	Spring
25	000013903	Snap ring CS-5
26	808617004	DC motor (unit)
27	000115700	Setscrew TP 4x10
28	808657202	Switching regulator (unit)
29	000103509	Setscrew 4x10
30	808504007	Printed circuit board P (unit)
31	808181004	Cord guide
32	000188209	Nylon clip ACC-1.5
33	000188405	Nylon clip ACC-2
34	000053008	Cord binder

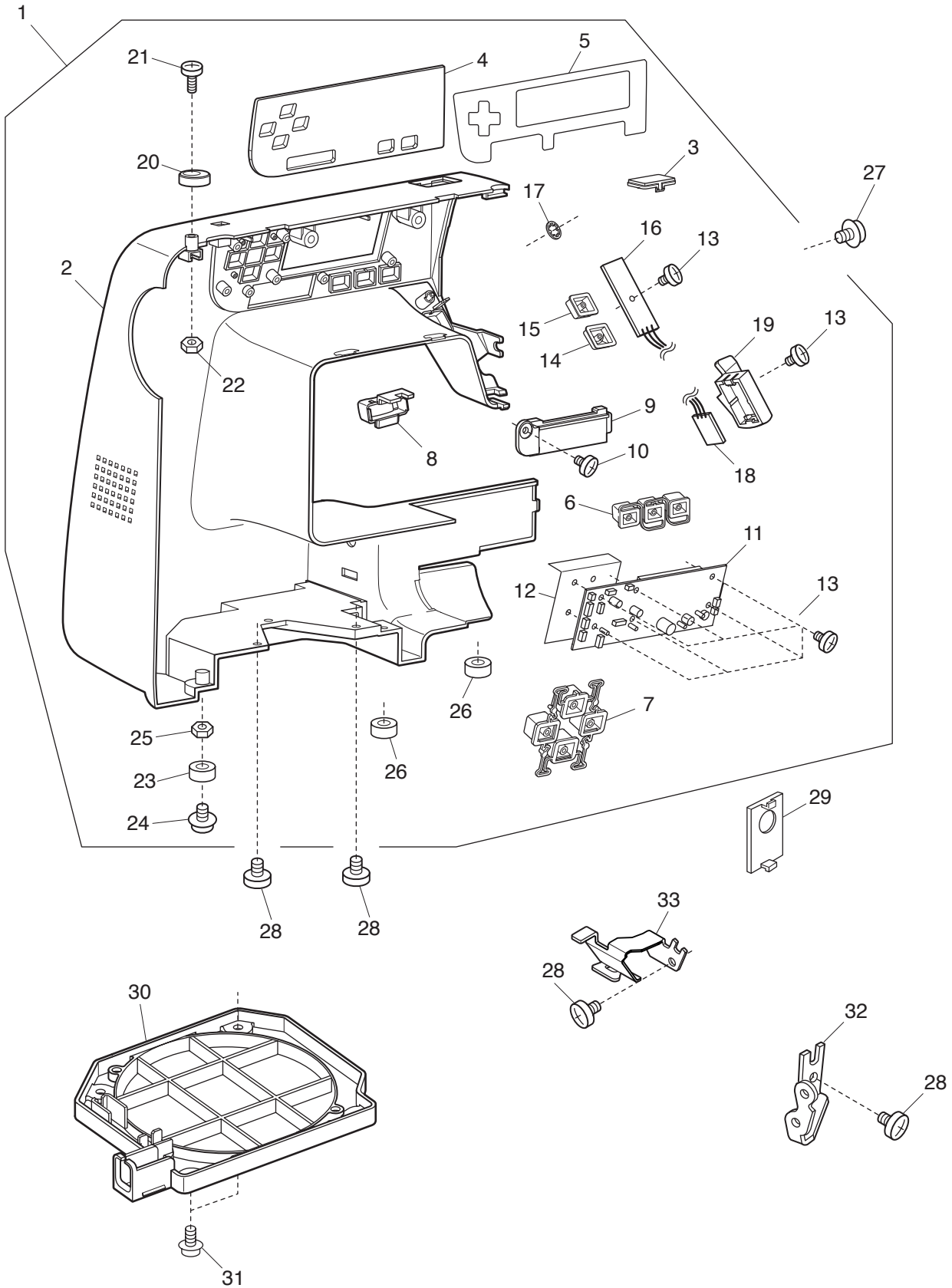
PARTS LIST



PARTS LIST

KEY NO.	PARTS NO.	DESCRIPTION
1	808619051	Rear cover (unit)
2	808050025	Rear cover
3	827503108	Top cover thread guide (unit)
4	000162001	Setscrew 2.6x5 (B)
5	650503322	Thread guide (unit)
6	000014409	Snap ring CS-8
7	502007008	Spool pin
8	502008009	Spool pin support plate
9	000120203	Setscrew 3x8 (B)
10	739064003	Bed rubber cushion
11	502009000	Carrying handle
12	000081005	Setscrew 4x8
13	000160401	Setscrew 4x16 (B)
14	822020503	Spool holder (large)
15	808622220	Face plate (unit)
16	808060B02	Face plate
17	840602006	Thread cutter (unit)
18	100517008	Caution sticker
19	000104108	Setscrew 4x20
20	808061007	Free arm cover
21	808508001	Extension table (unit)

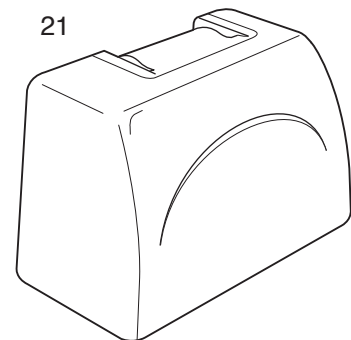
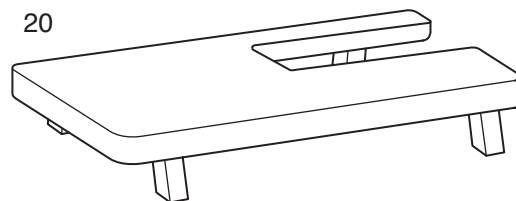
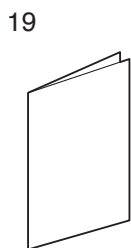
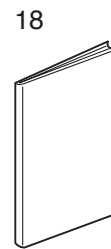
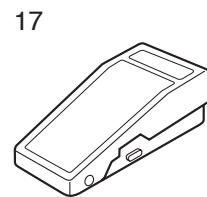
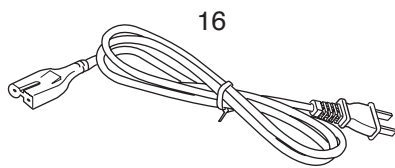
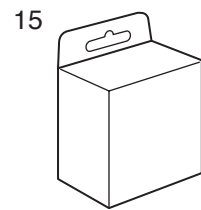
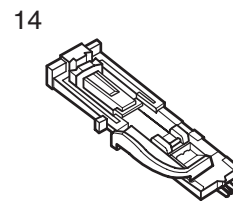
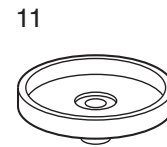
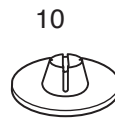
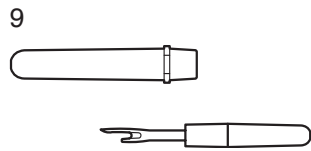
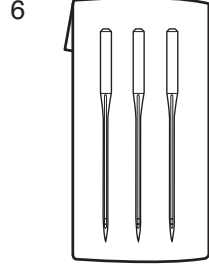
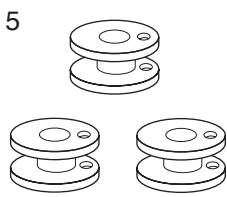
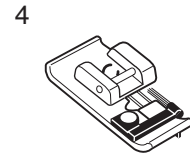
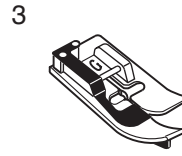
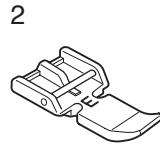
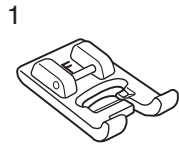
PARTS LIST



PARTS LIST

KEY NO.	PARTS NO.	DESCRIPTION
1	808671338	Front cover (unit)
2	808051B28	Front cover
3	808103002	Front cover lid
4	808052A12	Ornamental panel
5	808114006	Double-stick sheet
6	808053109	Button 1
7	808054100	Button 2
8	808055008	Slide volume
9	808056102	Slide volume set plate
10	000160700	Setscrew 2.6x6 (B)
11	808417080	Printed circuit board A (unit)
12	808121006	Flame retardant insulating paper
13	000120203	Setscrew 3x8 (B)
14	808058B01	Start/stop button
15	808070102	Button 4
16	808507000	Printed circuit board F (unit)
17	000014306	Snap ring CS-3
18	808506009	Printed circuit board L (unit)
19	808057000	Lamp holder
20	735016307	Bobbin winder stopper
21	000101828	Setscrew 4x16
22	000061102	Nut 4-1-7
23	639005003	Rubber foot
24	000201405	Setscrew TP 4x16
25	000160102	Adjustable lock nut 4
26	739064003	Bed rubber cushion
27	000115205	Setscrew TP 4x6
28	000081005	Setscrew 4x8
29	809039009	Cap
30	808059301	Bed cover
31	000149312	Setscrew 3x8
32	639080002	Front cover set plate
33	808016018	Arm thread guide

PARTS LIST



PARTS LIST

KEY NO.	PARTS NO.	DESCRIPTION
1	822804129	Satin foot
2	808852003	Zipper foot
3	825817009	Blind hem foot
4	822801001	Overedge foot
5	102261103	Bobbin
6	639804000	Needle set
7	653802002	Screwdriver
8	802424004	Lint brush
9	647808009	Seam ripper (Buttonhole opener)
10	822019509	Spool holder (small)
11	829803004	Spool stand
12	625031500	Spool pin
13	102403109	Felt
14	753801004	BH foot
15	200100007	Quilting attachment (unit)
16	856519004	Power supply cord
17	C-1036	Foot control
18	808800006	Instruction book (English)
	808800017	Instruction book (French)
19	808836001	instruction slip
20	808401003	Extra wide table
21	484701000	Cover