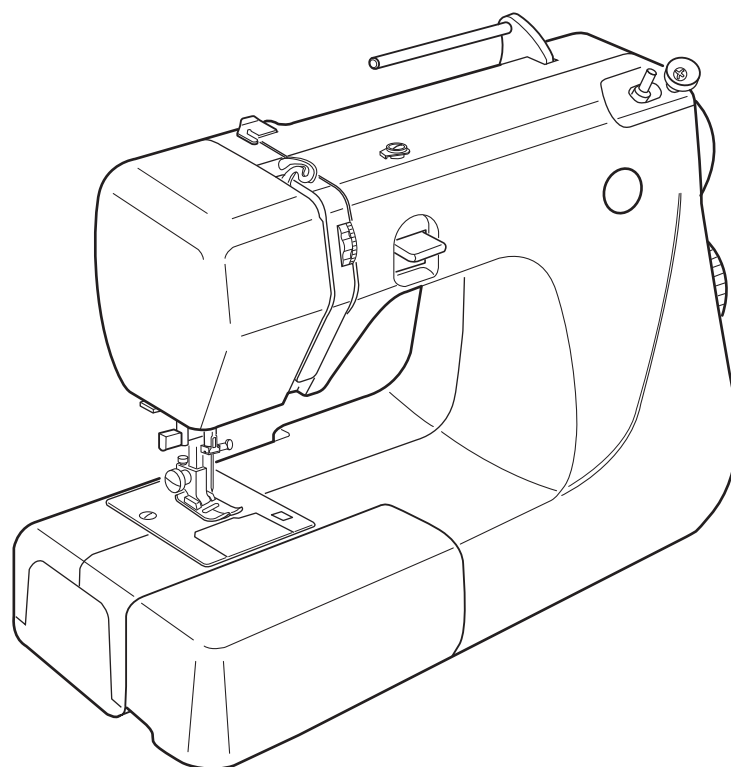


INSTRUCTION BOOK



IMPORTANT SAFETY INSTRUCTIONS

Your sewing machine is designed and constructed only for HOUSEHOLD use.
Read all instructions before using this sewing machine.

DANGER - To reduce the risk of electric shock:

1. This sewing machine should never be left unattended when plugged in. Always unplug this sewing machine from the electrical outlet immediately after using and before cleaning.
2. Always unplug before replacing sewing machine light bulb. Replace bulb with same type rated 15 Watts.
3. Do not reach for this sewing machine if it has fallen into water. Unplug immediately.
4. Do not place or store this sewing machine where it can fall or be pulled into a tub or a sink. Do not place in or drop into water or any other liquid.

WARNING - To reduce the risk of burns, fire, electric shock or injury to persons:

1. Do not allow this sewing machine to be used as a toy. Close attention is necessary when this sewing machine is used by or near children.
2. Use this sewing machine only for its intended use as described in this manual. Use only attachments recommended by the manufacturer as contained in this manual.
3. Never operate this sewing machine if it has a damaged cord or plug, if it is not working properly, if it has been dropped and damaged or dropped into water. Return the sewing machine to the nearest authorized dealer or service center for examination, repair and electrical or mechanical adjustment.
4. Never operate this sewing machine with any air opening blocked. Keep ventilation openings of the sewing machine and foot controller free from accumulation of lint, dust and loose cloth.
5. Never drop or insert any object into any opening of the sewing machine.
6. Do not use outdoors.
7. Do not operate where aerosol (spray) products are being used or where oxygen is being administered.
8. To disconnect, turn all controls to the off "0" position, then remove the plug from the outlet.
9. Do not unplug by pulling on the cord. To unplug, grasp the plug, not the cord.
10. Keep fingers away from all moving parts. Special care is required around the sewing machine needle.
11. Always use the proper needle plate. The wrong plate can cause the needle to break.
12. Do not use bent needles.
13. Do not pull or push fabric while stitching. It may deflect the needle causing it to break.
14. Turn off the sewing machine's power switch when making any adjustment in the needle area such as: threading the needle, changing the needle, threading the bobbin, changing presser foot and the like.
15. Always unplug the sewing machine from the electrical outlet when removing covers or when making any other adjustments mentioned in this instruction manual.

OPERATING INSTRUCTIONS

The symbol "0" on the power switch indicates the "off" position of the switch.

For sewing machines with a polarized plug (one blade wider than the other), to reduce the risk of electric shock, this plug is intended to fit in a polarized outlet only one way. If the plug does not fit fully in the outlet, reverse the plug. If it still does not fit, contact a qualified electrician to install the proper outlet.

Foot Controller YC - 482 J is for use with Sewing Machine 660 Jem Gold (for U.S.A. market only).

When using your sewing machine for the first few times, place a waste fabric under the presser foot and run the machine without thread for a minute. Wipe away any oil which may appear.

SAVE THESE INSTRUCTIONS

TABLE OF CONTENTS

SECTION I NAMES OF PARTS

Name of Parts	3
• How to attach the spool pin	3
Standard Accessories and Storage Place	4
• Free arm	4

SECTION II GETTING READY TO SEW

Connecting Machine to Power Supply	5
Controlling Sewing Speed	5
• Foot control	5
Removing and Attaching the Light Bulb	5
Changing Needles	6
• Changing needles	6
• To check for a good needle	6
Selecting Needle and Thread	6
Pattern Selection	7
Presser Foot Lifter	7
To Attach and Remove the Presser Foot	7
Reverse Stitch Lever	7
Preparation of the Bobbin Thread	8
• Removing the bobbin	8
• Set the spool	8
• Winding the bobbin	9
• Inserting the bobbin	10
Threading the Machine	11
• To set the needle thread	11
• Using the needle threader	12
• Drawing up the bobbin thread	13

SECTION III BASIC SEWING

Straight Stitch Sewing	14
• Starting to sew	14
• Changing sewing direction	14
• Finishing sewing	14
• Using the seam guides on the needle plate	15
• Turning square corners	15
Triple Straight Stitch	15
Balancing Needle Thread Tension	16
• Choose the correct tension	16
• Tension is too tight	16
• Tension is too loose	16

SECTION IV UTILITY STITCHES

Zigzag Stitching	17
Overcasting	17
Tricot Stitch	17

SECTION V DECORATIVE STITCHING

Shell Tuck	18
Blind Stitch Hemming	18
Buttonhole	19
• Corded buttonhole	19

SECTION VI CARE OF YOUR MACHINE

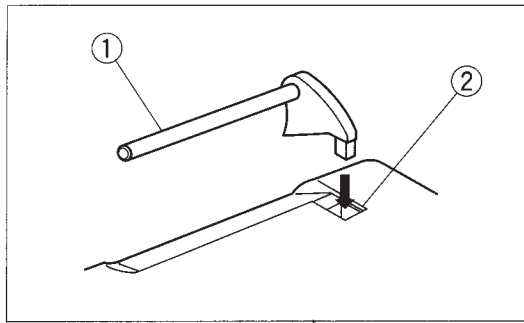
Caution	20
• Cleaning the hook race and feed dogs	20
• Replacing the bobbin holder	21

TROUBLESHOOTING	22
------------------------------	-----------

SECTION I NAME OF PARTS

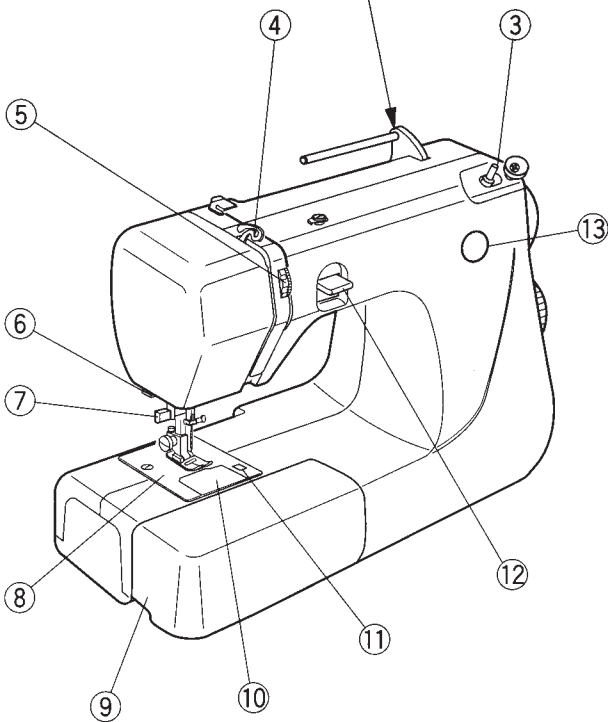
Name of Parts

• How to attach the spool pin

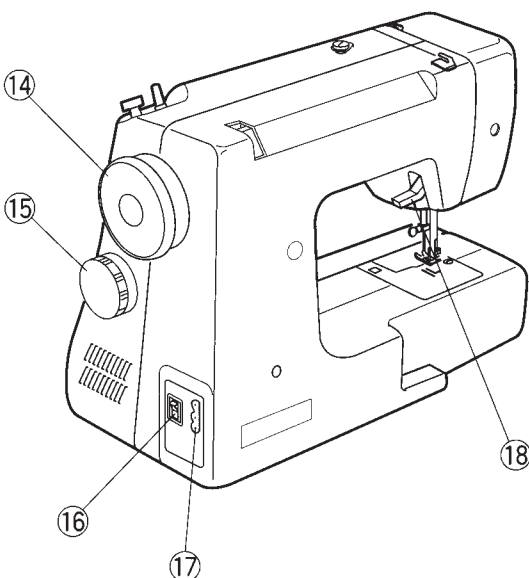


- ① Spool pin
- ② Setting hole

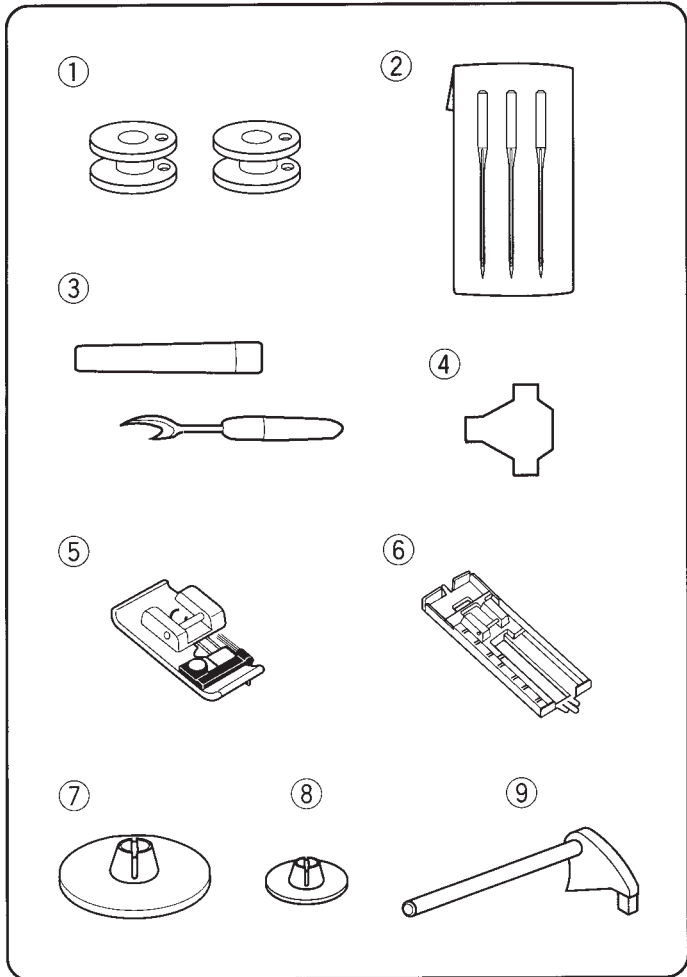
* Insert the spool pin into the hole as shown.
(The spool pin is in the accessory bag.)



- ③ Bobbin winder spindle
- ④ Thread take-up lever
- ⑤ Thread tension dial
- ⑥ Thread cutter
- ⑦ Needle threader
- ⑧ Needle plate
- ⑨ Extension table (Accessory storage box)
- ⑩ Hook cover plate
- ⑪ Hook cover plate release button
- ⑫ Reverse stitch lever
- ⑬ Pattern indication window



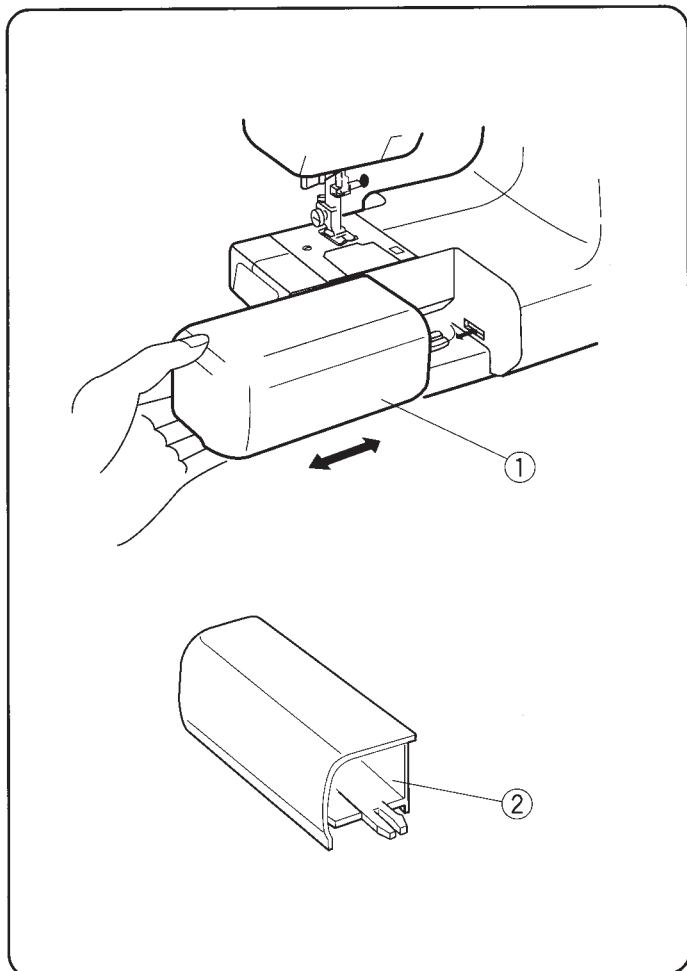
- ⑭ Handwheel
- ⑮ Pattern selector dial
- ⑯ Power switch
- ⑰ Machine socket
- ⑱ Presser foot lifter



Standard Accessories and Storage Place

The following accessories are stored in the extension table.

- ① Bobbins
- ② Needles
- ③ Seam ripper
- ④ Screwdriver
- ⑤ Overedge foot
- ⑥ Buttonhole foot
- ⑦ Spool holder (large)
- ⑧ Spool holder (small)
- ⑨ Spool pin



• Free arm

The extension table provides added surface and can be easily removed for free arm sewing.

Detaching the table:

Pull the table away from the machine, as illustrated.

Attaching the table:

Push the extension table until it snaps into the machine.

- ① Extension table
- ② Accessory storage box (for small parts)

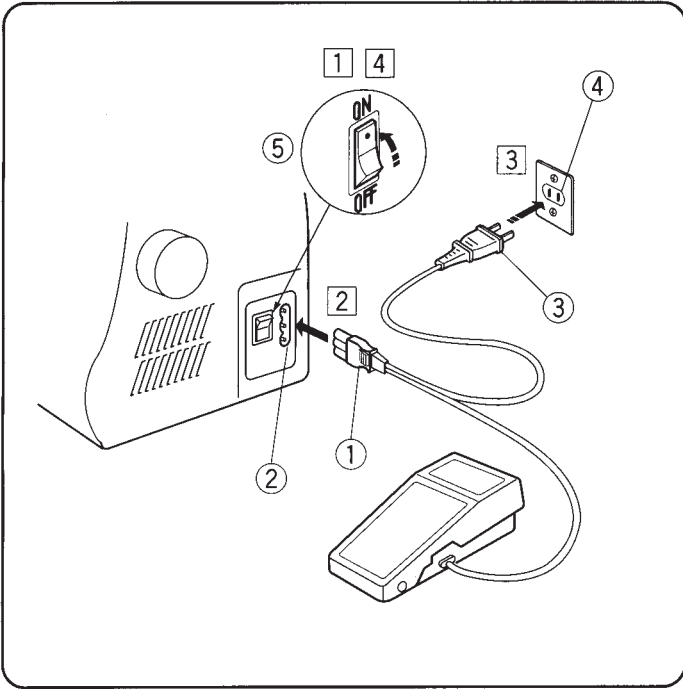
SECTION II GETTING READY TO SEW

Connecting Machine to Power Supply

Before connecting the power cord, make sure the voltage and frequency shown on the machine conform to your electrical power.

- ① Machine plug
- ② Machine socket
- ③ Power supply plug
- ④ Electrical outlet

- 1 Turn off the power switch.
- 2 Insert the machine plug ① into the machine socket ②.
- 3 Insert the power supply plug ③ into the electrical outlet ④.
- 4 Push the power switch to turn on the power and sewing light.

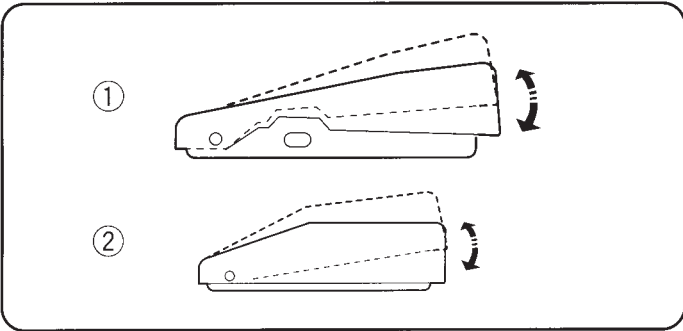


Controlling Sewing Speed

• Foot control

Sewing speed can be varied by the foot control. The harder you press on the control, the faster the machine runs.

- ① 120V pedal
- ② 240V pedal



Removing and Attaching the Light Bulb

The sewing light is located behind the face plate. To change the bulb, open the face plate.

Note: When replacing the bulb, unplug the machine.

Caution: Wait for the light bulb to cool down before touching it.

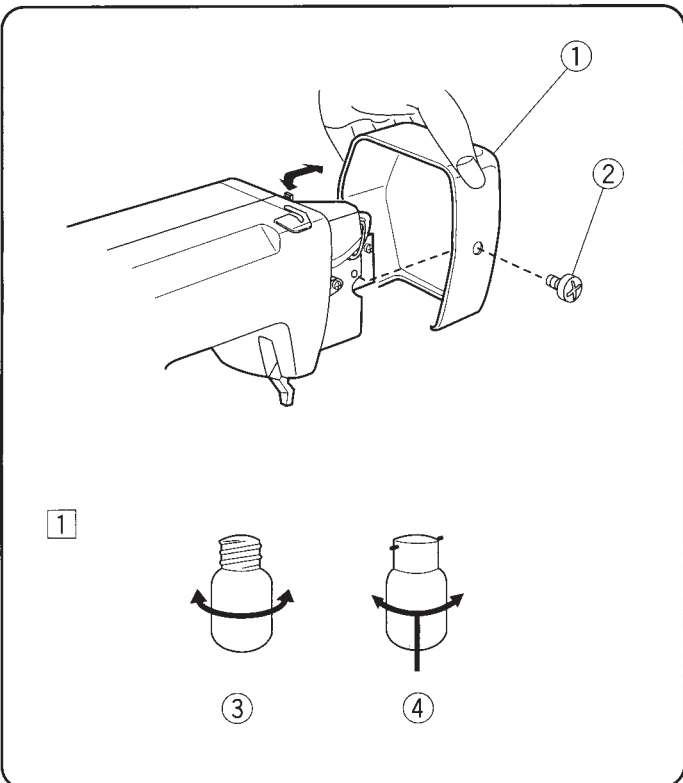
- 1 Loosen the screw and remove the face plate.

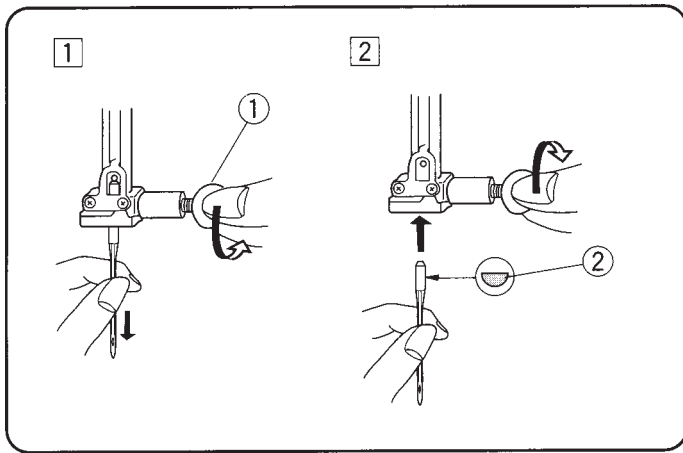
- ① Face plate
- ② Set screw
- ③

- * To remove: Turn the bulb counterclockwise.
- * To replace: Turn the bulb clockwise.

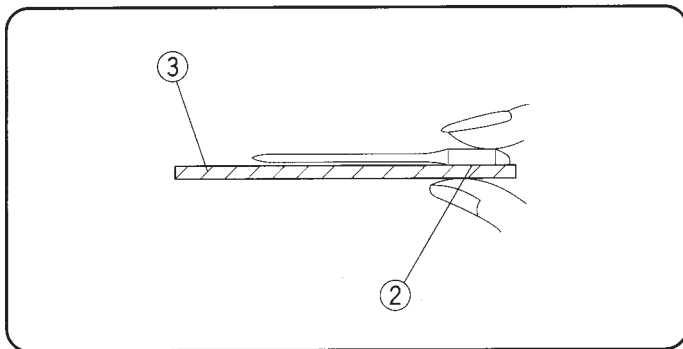
- ④

- * To remove: Push and turn counterclockwise.
- * To replace: Push and turn clockwise.





- ① Needle clamp screw
- ② Flat side of needle



- ③ Flat surface

Changing Needles

• Changing needles

- ① Turn off the power switch.
Raise the needle by turning the handwheel towards you and lower the presser foot.
Loosen the needle clamp screw by turning it counterclockwise. Remove the needle from the clamp.
- ② Insert the new needle into the needle clamp with the flat side to the rear. When inserting the needle into the clamp, push it up as far as it goes.
Tighten the clamp screw firmly by turning it clockwise.

• To check for a good needle

Put the flat side of the needle onto something flat (the needle plate, glass etc.).

The gap between the needle and the flat surface should be consistent.

Never use a bent or blunt needle.

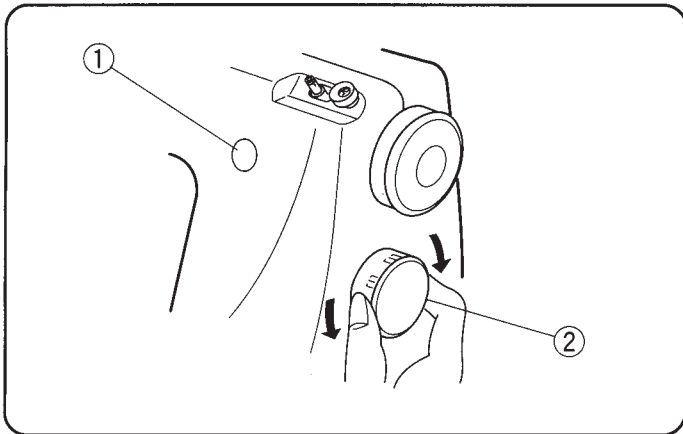
Note: Check your needles frequently for barbed or blunted points. Snags and runs in knits, fine silks and silk-like fabrics are permanent and are almost always caused by a damaged needle.

Selecting Needle and Thread

FABRICS		THREADS	NEEDLE SIZE
LIGHT WEIGHT	Crepe de Chine, Voile, Lawn, Organdy, Georgette, Tricot	80 to 100 Fine Silk 80 to 100 Fine Cotton 80 to 100 Fine Polyester	9 or 11
MEDIUM WEIGHT	Linsens, Cotton, Pique, Serge, Double Knits, Percale	50 Silk 60 to 80 Cotton 50 to 80 Synthetic Cotton-covered Polyester	11 or 14
		50 Cotton	14
HEAVY WEIGHT	Denim, Tweed, Gabardine, Coating, Drapery and Upholstery Fabric, Canvas	50 Silk 40 to 50 Cotton 40 to 50 Synthetic Cotton-covered Polyester	14 or 16
		30 Silk 30 Cotton	16

NOTE:

- * In general, fine threads and needles are used for sewing thin fabrics, and thicker threads and needles are used for sewing heavy fabrics.
Always test thread and needle size on a small piece of fabric which will be used for actual sewing.
- * Use the same thread for needle and bobbin.
- * When sewing stretch, very fine fabrics and synthetics, use a blue tipped needle.
The blue tipped needle effectively prevents skipped stitches.

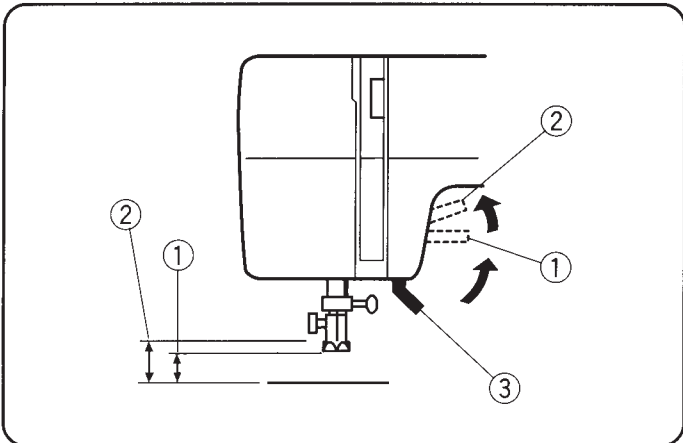


Pattern Selection

Raise the needle, turn the pattern selector dial to select the desired pattern.

Note: Do not turn the pattern selector dial while the needle is in the fabric because it causes bent or blunt needles.

- ① Pattern indication window
- ② Pattern selector dial

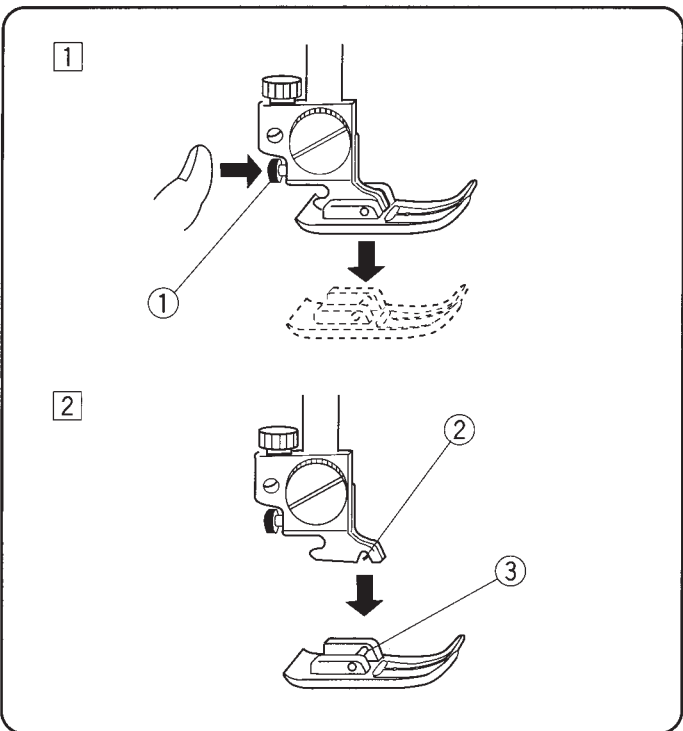


Presser Foot Lifter

The presser foot lifter raises and lowers your presser foot.

You can raise it about 0.6 cm (1/4") higher than the normal up position for easy removal of the presser foot or to help you place heavy fabric under the foot.

- ① Normal up position
- ② High position
- ③ Presser foot lifter



To Attach and Remove the Presser Foot

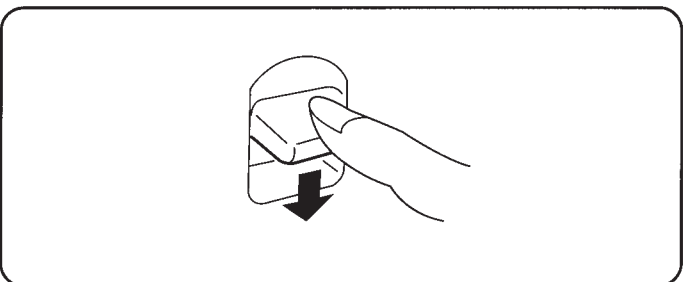
① Press the red button on the back of the foot holder.

The presser foot will drop off.

- ① Red button

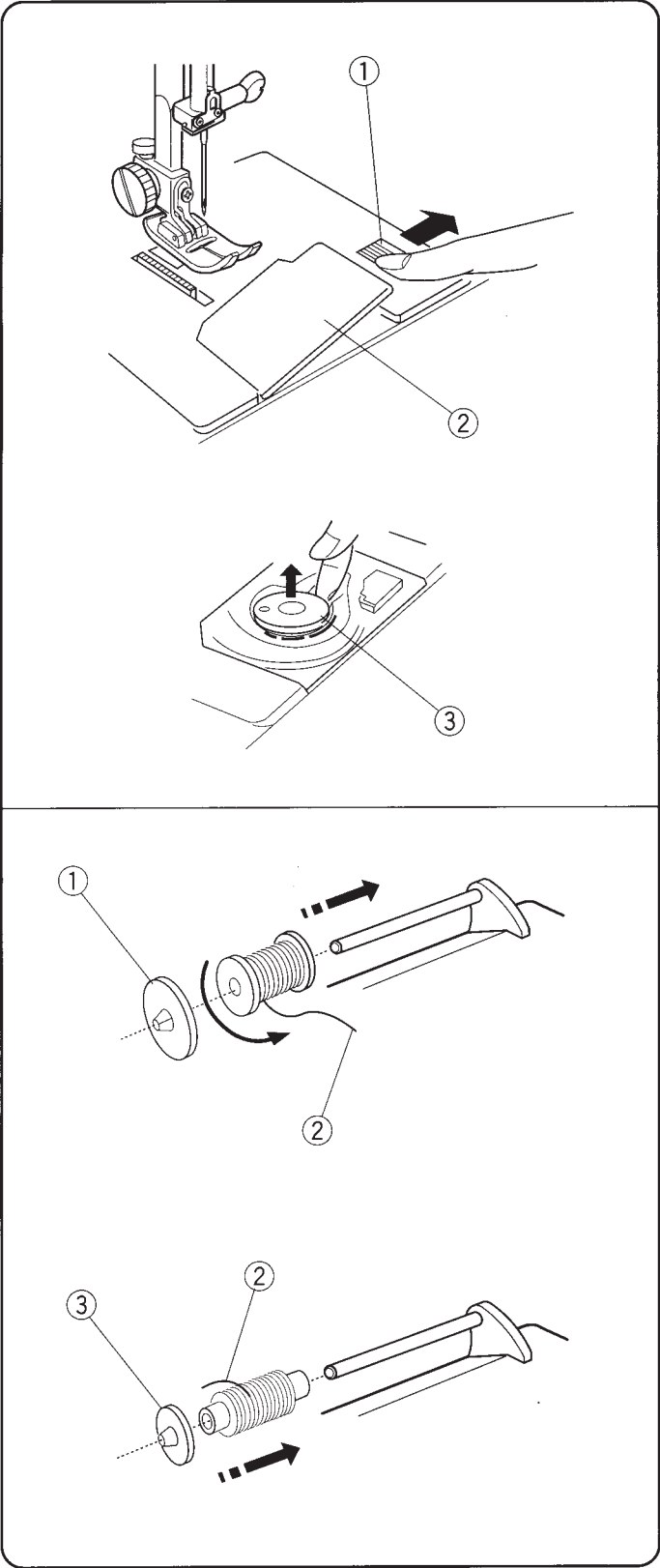
② Place the selected presser foot so the pin on the foot lies just under the groove of the foot holder. Lower the presser bar to lock the foot in place.

- ② Groove
- ③ Pin



Reverse Stitch Lever

The machine will sew in reverse while the reverse stitch lever is depressed.



Preparation of the Bobbin Thread

• Removing the bobbin

Gently slide the hook cover plate release button to the right and remove the cover plate. Lift out the bobbin.

- ① Hook cover plate release button
- ② Hook cover plate
- ③ Bobbin

• Set the spool

Place the spool of thread on it with the thread coming off the spool as illustrated. Press the large spool holder firmly against the spool of thread.

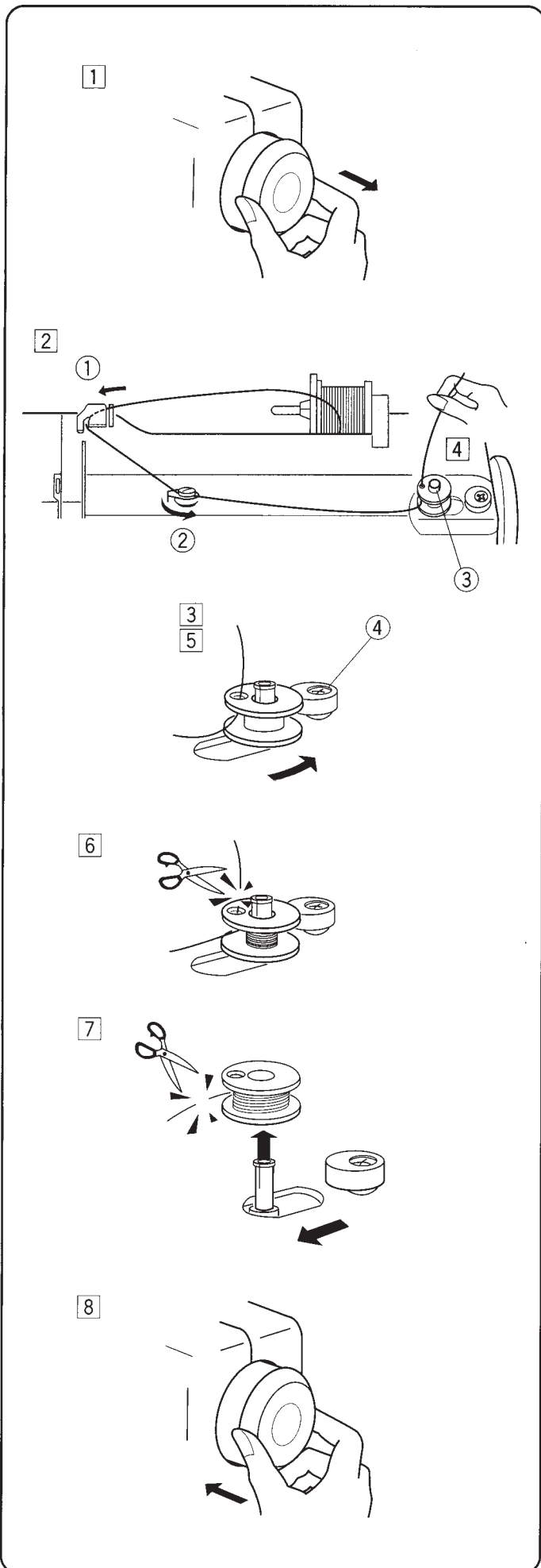
- ① Large spool holder
- ② End of thread

For small spool

- ③ Small spool holder

* The small spool holder is used with narrow or small thread spools.

• Winding the bobbin



1 Pull the handwheel away from the machine to disengage the clutch.

2 Guide the thread around the thread guide.

3 Thread through the hole in the bobbin from the inside to the outside.

4 Then put the bobbin on the bobbin winder spindle.

5 Push it to the right.

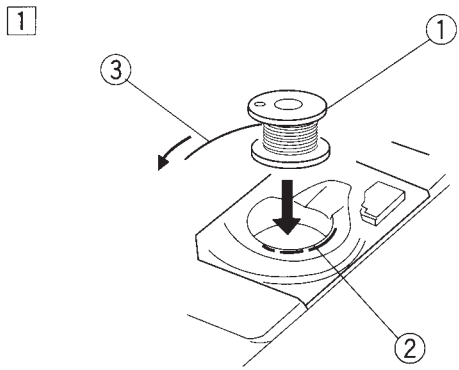
6 With free end of the thread held in your hand, depress the foot control. Stop the machine when it has made a few turns, and cut the thread close to the bobbin.

7 Depress the foot control again. When the bobbin is fully wound, it will stop automatically. Return the bobbin winder to its original position by moving the spindle to the left, and cut the thread as illustrated.

8 Push the handwheel to engage the clutch.

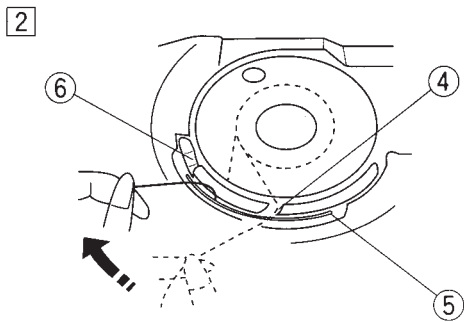
- ① Thread guide
- ② Bobbin winder thread guide
- ③ Bobbin winder spindle
- ④ Bobbin winder stopper

• Inserting the bobbin



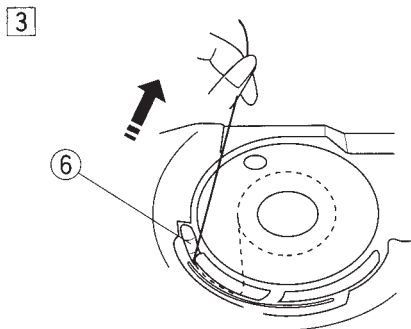
1 Place the bobbin in the holder with the thread running off counterclockwise.

- ① Bobbin
- ② Bobbin holder
- ③ End of thread



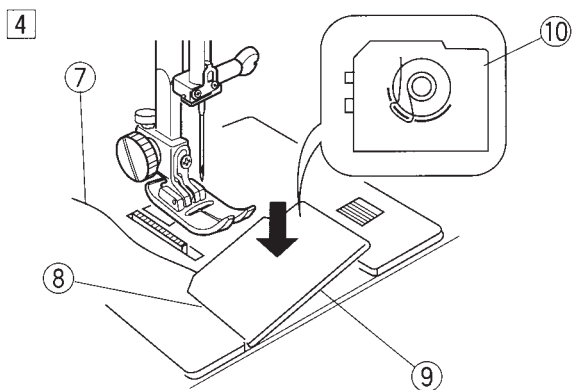
2 Guide the thread into the notch (A) on the front side of the bobbin holder. Draw the thread to the left, sliding it between the tension spring blades.

- ④ Notch (A)
- ⑤ Spring



3 Continue to draw the thread lightly until the thread slips into notch (B). Pull out about 15 cm (6") of thread.

- ⑥ Notch (B)



4 Attach the hook cover plate. Check the threading by referring to the chart shown on the hook cover plate.

- ⑦ Bobbin thread
- ⑧ Edge of the hook cover plate
- ⑨ Hook cover plate
- ⑩ Threading chart

Threading the Machine

• To set the needle thread

1 Raise the presser foot with the presser foot lifter. Lead the thread from the spool and pass it through the thread guide. Then draw it down along the right slot.

2 Then, down around the check spring holder.

3 Raise the take-up lever to its highest position by turning the handwheel towards you. Firmly draw the thread from right to left over the take-up lever and down into the take-up lever eye.

4 Draw the thread down and slide the thread behind the needle bar thread guide from the left.

5 Use the needle threader to thread the needle (see page 12).

① Presser bar lifter

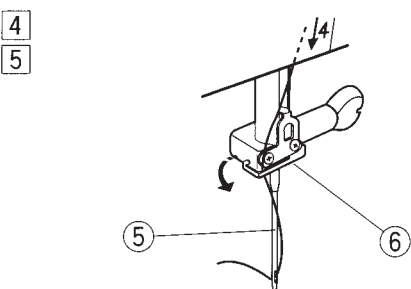
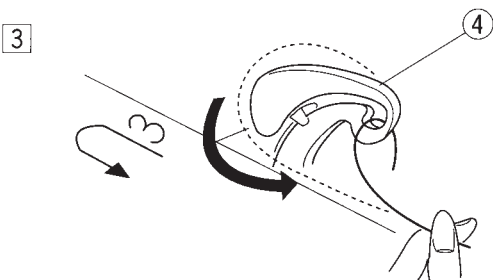
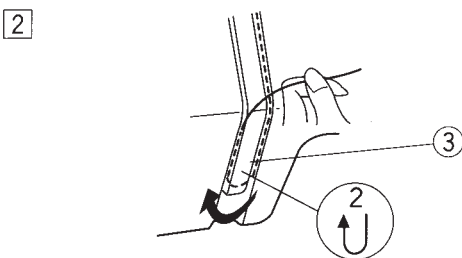
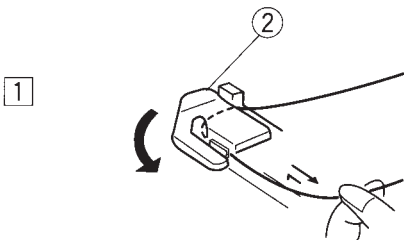
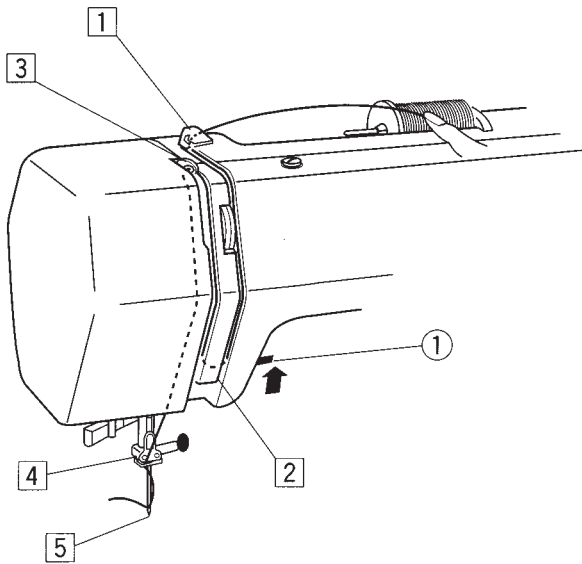
② Thread guide

③ Thread guide plate

④ Thread take-up lever

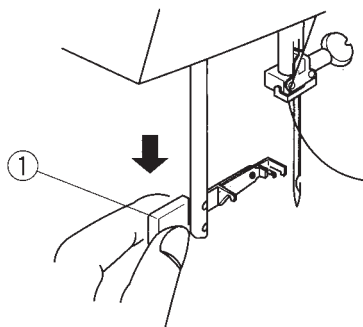
⑤ Needle

⑥ Needle bar thread guide



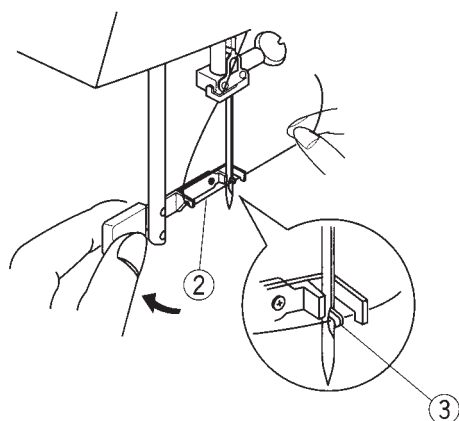
• Using the needle threader

1



1 Turn the handwheel toward you to raise the needle to its highest position.

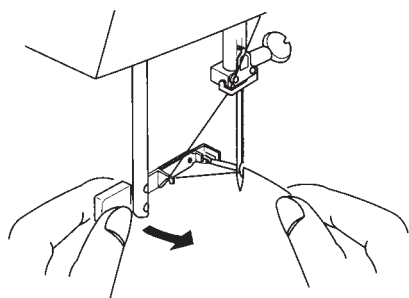
2



2 Hold the needle threader knob and pull it down to its lowest position and push it to the back so that the hook is coming out from the backside of the needle eye.

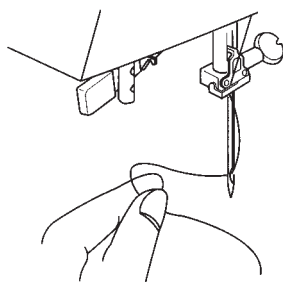
Then place the needle thread into the needle threader hook.

3



3 Push the needle threader knob towards you to pull out the needle thread and push the knob up to pull the needle thread as illustrated.

4



4 Pull the needle thread from the needle eye.

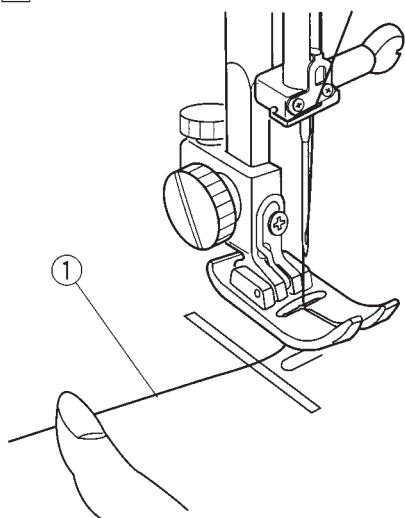
① Needle threader knob

② Guide

③ Hook

• **Drawing up the bobbin thread**

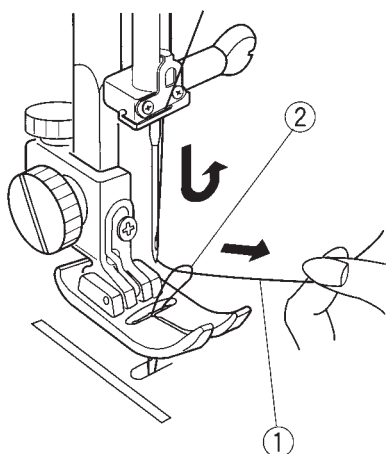
1



1 Raise the presser foot and hold the needle thread lightly with your left hand.

① Needle thread

2

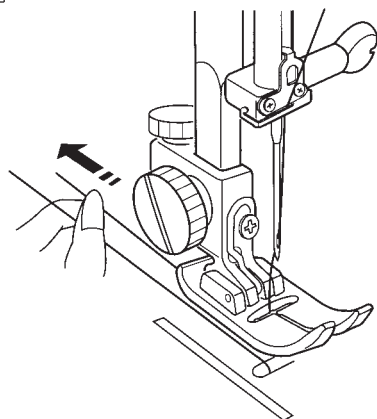


2 Turn the handwheel slowly towards you with your right hand until the needle goes down and until the take-up lever is at its highest position.

Bring the bobbin thread up by pulling the top thread.

② Bobbin thread


3



3 Pull 10 to 15 cm (4" to 6") of both threads back and under the presser foot.

Straight Stitch Sewing

Machine setting

- ① Stitch selector: 
- ② Presser foot: Zigzag foot A
- ③ Thread tension dial: 2-6

Note: There are 3 types of stitch length selection.

• Starting to sew

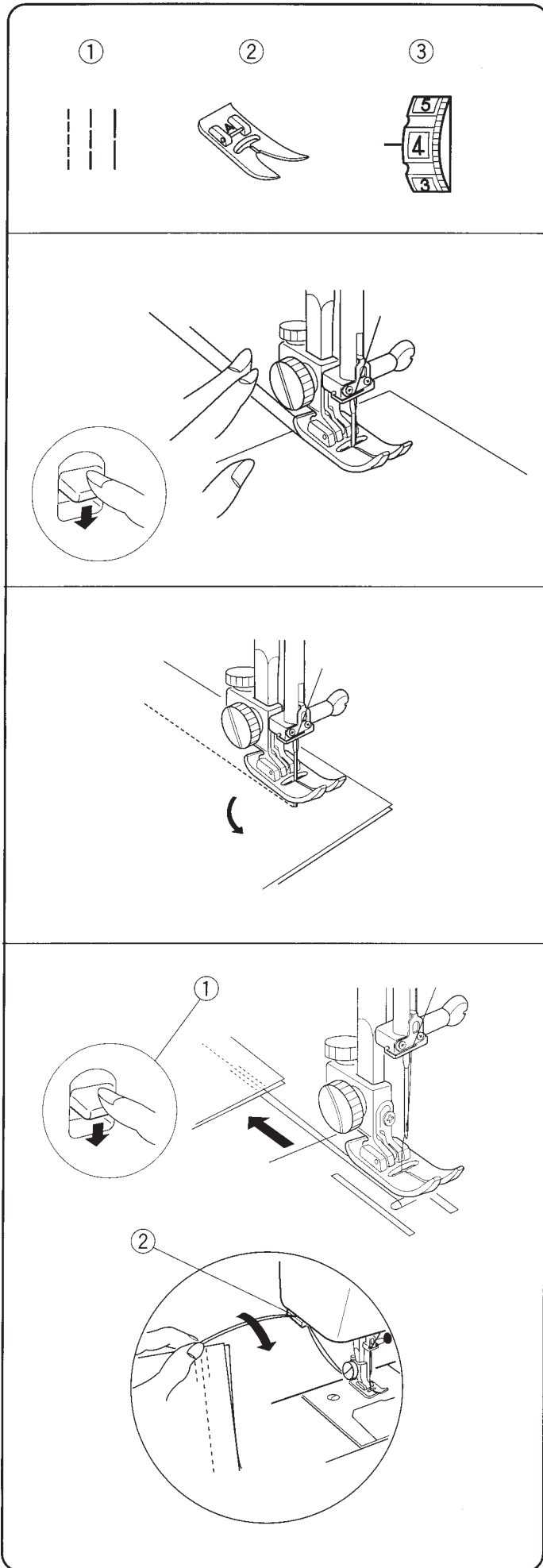
Raise the presser foot and position the fabric next to a stitching guide line on the needle plate.
Lower the needle into the fabric.
Lower the presser foot and smooth the threads toward the back. Depress the foot control.
To fasten the beginning of the seam, press the reverse stitch lever and sew several reverse stitches.
Gently guide the fabric along the guide line letting the fabric feed naturally.

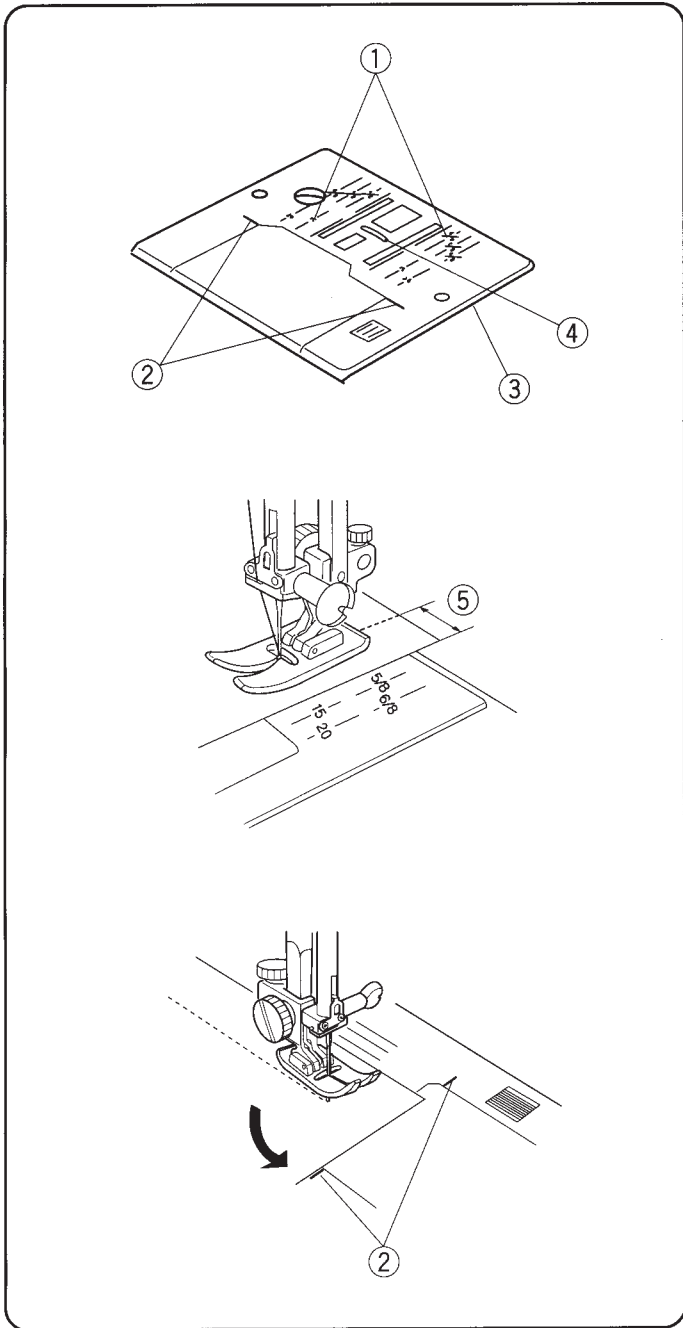
• Changing sewing direction

Stop the machine and turn the handwheel toward you to bring the needle down into the fabric.
Raise the presser foot.
Pivot the fabric around the needle to change the sewing direction as desired. Lower the presser foot and continue sewing.

• Finishing sewing

1. To fasten the end of the seam, press the reverse stitch lever and sew several reverse stitches.
 - ① Reverse stitch lever
 2. Raise the presser foot. Remove the fabric, draw the threads to the back.
 3. Cut the threads using the thread cutter.
 - ② Thread cutter
- * The threads are cut the proper length for starting the next seam.





• Using the seam guides on the needle plate

The seam guides on the needle plate and hook cover plate help you measure seam width.

* The numbers indicate the distance between the center needle position and the guide line.

Numbers on the needle plate	15	20	4/8"	5/8"	6/8"
Distance in centimeters	1.5	2.0	1.3	1.6	1.9

- ① Guide lines
- ② Cornering guide
- ③ Needle plate
- ④ Needle plate hole
- ⑤ Seam width from the center needle position

• Turning square corners

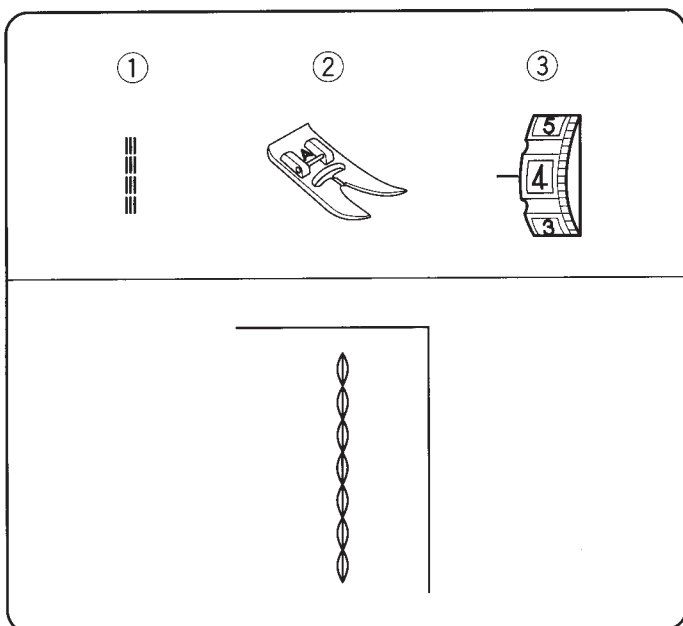
To turn a square corner 1.6 cm (5/8") from the fabric edge.

When the fabric edge facing you lines up with the cornering guide as illustrated, stop stitching and lower the needle by turning the handwheel towards you.

Raise the presser foot and turn the fabric to line the edge with the 1.6 cm (5/8") seam guide.

Lower the presser foot and begin stitching in the new direction.

- ② Cornering guides



Triple Straight Stitch

Machine setting:

- ① Stitch selector: Zigzag foot (A)
- ② Presser foot:
- ③ Thread tension dial: 2-6

* It is not necessary to adjust the stitch length.

These strong, durable stitches are recommended where both elasticity and strength are needed to insure comfort and durability. Use it to reinforce areas such as crotch and armhole seams. Also, use when constructing items such as backpacks for extra strength.

The stitch is sewn with two stitches forward and one stitch backward, forming a seam that does not rip easily. Garments should be basted for fitting before seaming.

Balancing Needle Thread Tension

• Choose the correct tension

For straight stitch:

The ideal straight stitch will have threads locked between the two layers of the fabric, as illustrated on the left (magnified to show detail).

If you look at the top and bottom of the seam, you will notice that there are no gaps, that each stitch is smooth and even.

When adjusting the top thread tension, the higher the number, the tighter the top thread.

Results depend on:

- * stiffness and thickness of the fabric
- * number of fabric layers
- * type of stitch

- ① Needle thread (Top thread)
- ② Bobbin thread (Bottom thread)
- ③ Wrong side of fabric
- ④ Right side of fabric

• Tension is too tight

- ① The bobbin thread shows through on the right side of the fabric and it will feel bumpy.

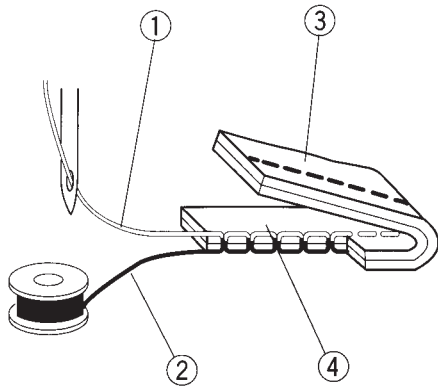
Turn the thread tension dial upwards (to a smaller number) to loosen the top thread tension.

- ⑤ Thread tension dial

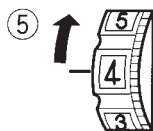
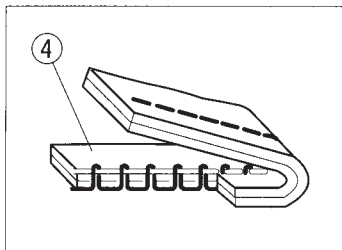
• Tension is too loose

- ② The top thread shows through on the wrong side of the fabric and it will feel bumpy.

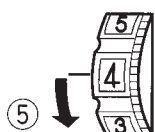
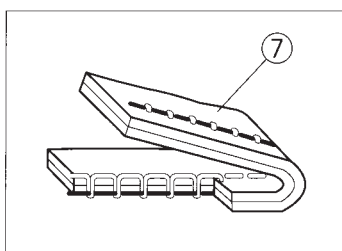
Turn the thread tension dial downwards (to a larger number) to tighten the top thread tension.



①




②



SECTION IV UTILITY STITCHES

Zigzag Stitching

Machine setting:



- ① Stitch selector: 
- ② Presser foot: Zigzag foot A
- ③ Thread tension dial: 2-5

The zigzag stitch is one of most versatile stitches on your machine. It can be a utility stitch for sewing on buttons, buttonholing, hemming, overcasting, mending and darning.

It can also be used to decorate with trims, appliques and cutout work or as a decorative stitch.

Overcasting

Machine setting:


- ① Stitch selector:  or 
- ② Presser foot: Overedge foot C
- ③ Thread tension dial: 3-6

This type of stitch is used on the seam allowance to prevent fabrics from fraying at raw edges. It can be used to finish a hem edge. Place the edge of the fabric next to the black ridge of foot C.

- ④ Guide

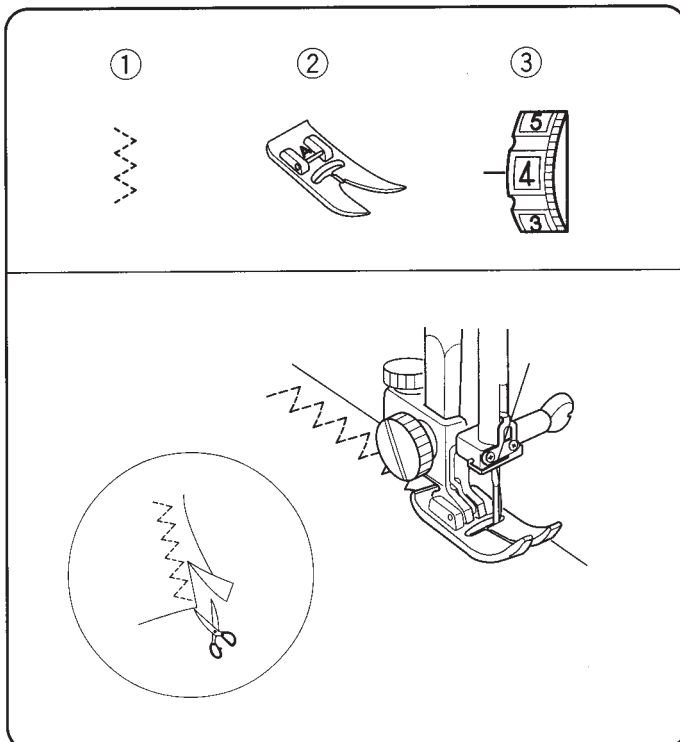
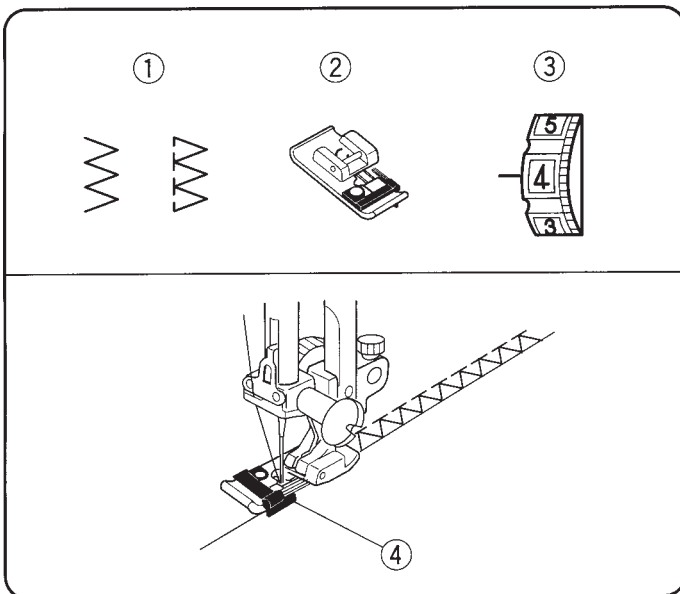
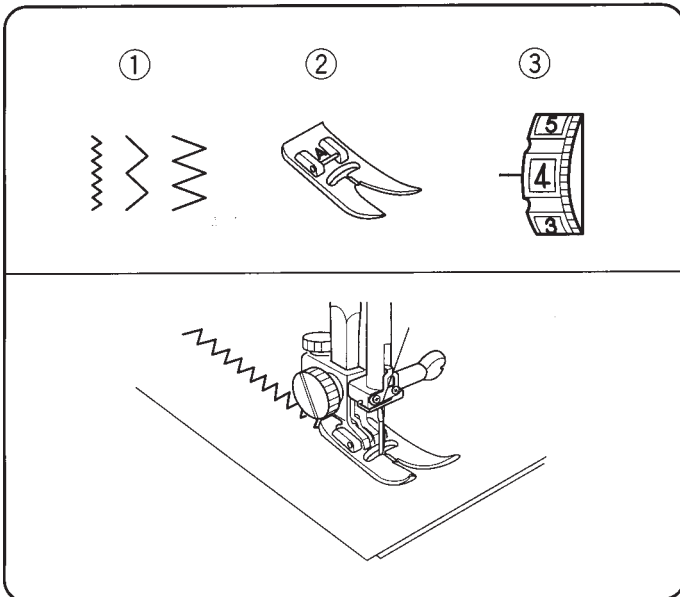
Tricot Stitch

Machine setting:

- ① Stitch selector: 
- ② Presser foot: Zigzag foot A
- ③ Thread tension dial: 3-6

This stitch is used to finish the seam allowance on synthetics and other fabrics that tend to pucker. The stitch is excellent for darning and mending tears. Place your fabric to allow a 1.6 cm (5/8") seam. Trim the extra seam allowance edge after sewing as illustrated.


Note: Be careful not to cut the stitches.



SECTION V DECORATIVE STITCHING

Shell Tuck

Machine setting:

- | | | |
|---|----------------------|---|
| ① | Stitch selector: |  |
| ② | Presser foot: | Zigzag foot A |
| ③ | Thread tension dial: | 6-8 |

* The shell stitch is formed by sewing a blind hem over folded fabric. Several rows of shell stitching are called shell tucks. Shell stitching can be used to finish hems, sleeve and neck openings.

Shell tucking can be used to create scalloped tucks on blouses and lingerie.

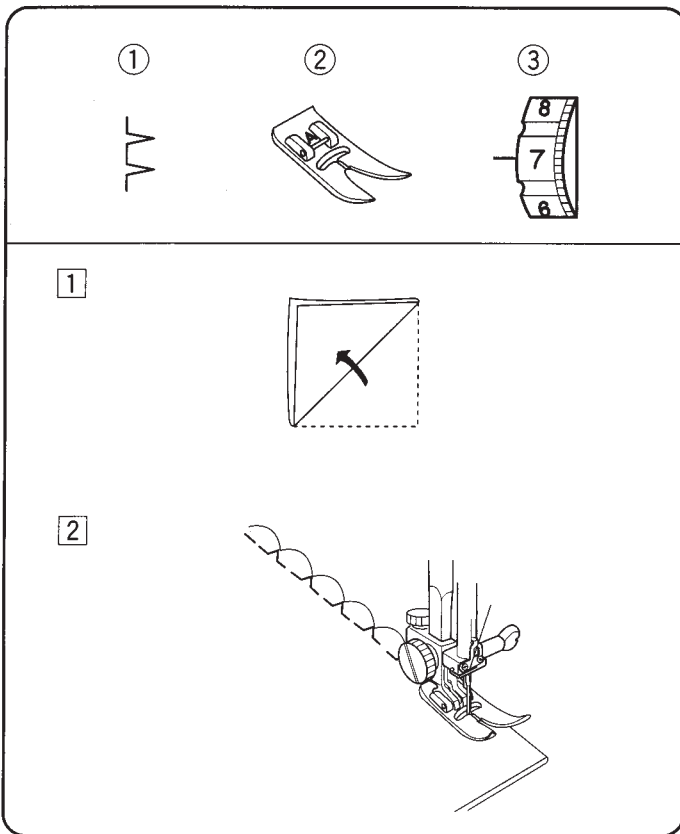
① Fold and stitch on the bias.

② When the needle swings to the right, allow the needle to just clear the folded edge of the fabric when it zigzags. After stitching, open the fabric and iron to press the tucks flat to one side.

* If thread tension is too loose, tuck will not be formed. Therefore, increase the tension and set it between 6 to 9.


* If you sew rows of shell stitches, space the rows 1.6 cm (5/8") apart.

* You can sew shell stitches on knits or soft silky woven in fabrics any direction.



Blind Stitch Hemming

Machine setting:

- | | | |
|---|----------------------|---|
| ① | Stitch selector: |  |
| ② | Presser foot: | Zigzag foot A |
| ③ | Thread tension dial: | 1-4 |

How to fold the fabric

On heavy weight fabrics that ravel, the raw edge should be overcast first. Then fold the hem as illustrated.

- ① Wrong side of fabric
- ② 0.4-0.7 cm
- ③ Overcasting stitch

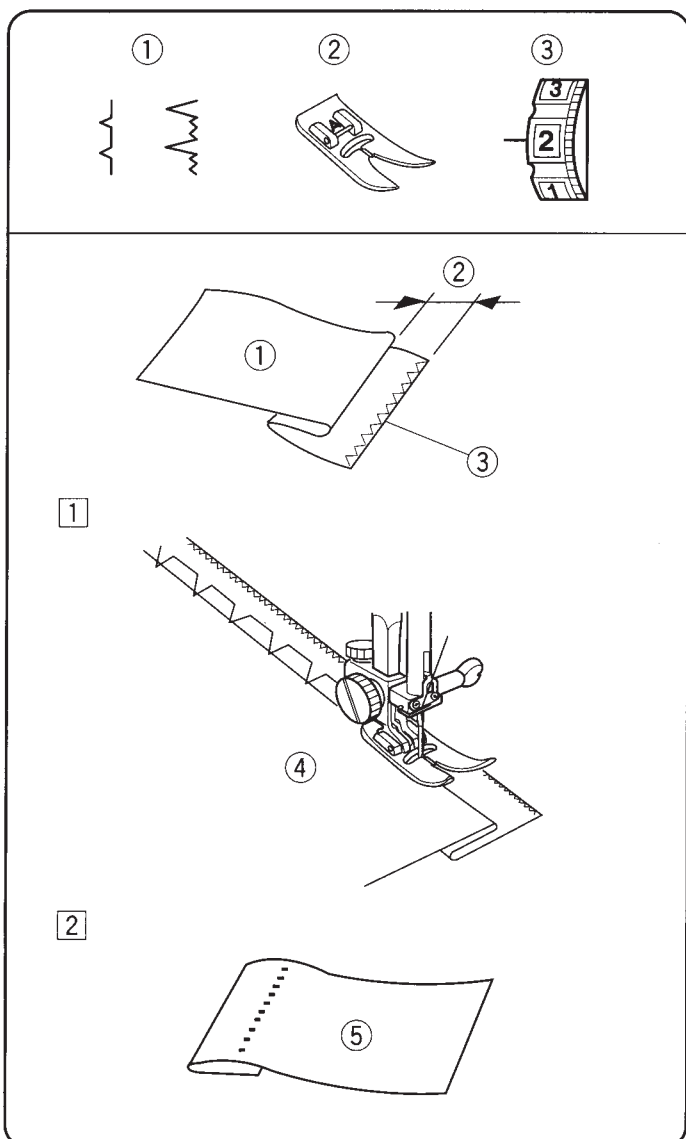
How to sew

① Position the fabric on the machine so that the needle just pierces the folded part of the fabric when the needle comes over to the extreme left side. Lower the presser foot.

Sew, guiding the folded edge along the foot.


② If the needle drops on the left side too far, the stitches appear on the right side of the fabric.

- ④ Wrong side of fabric
- ⑤ Right side of fabric







Buttonhole

Machine setting:

- ① Stitch selector: 
 ② Presser foot: Buttonhole foot
 ③ Thread tension dial: 1-5

* Before you sew the actual buttonholes on the actual garment, make several practice button holes on a fabric sample.

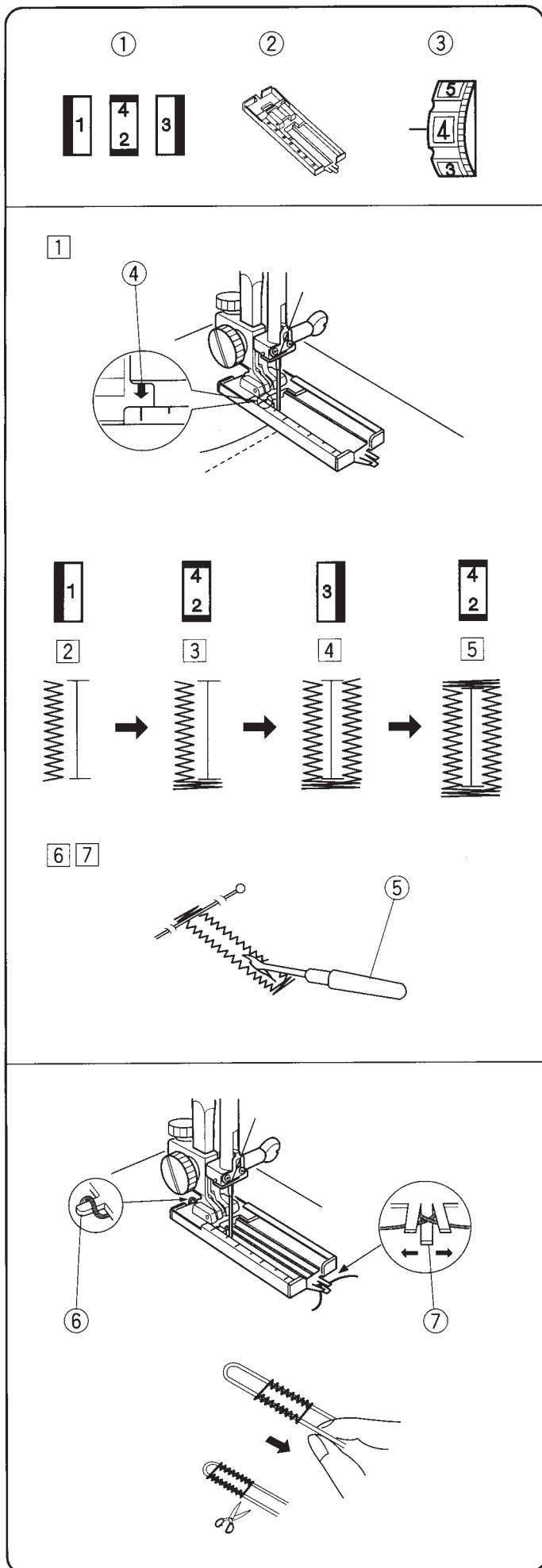
* Use interfacing on stretch fabrics.

- ① Select BH 1 (). Draw both threads to the left under the foot. Insert the garment under the foot.
 - ④ Start mark
- ② Lower the needle at the starting point. Then lower the buttonhole foot. Sew the required length of the left side of buttonhole and stop the machine.
- ③ Raise the needle to its highest position by turning the handwheel, then select the BH 2,4 (). Sew five bartack stitches and stop the machine.
- ④ Raise the needle to its highest position and select BH 3 (), sew the right side of buttonhole the same length as the left side and stop the machine.
- ⑤ Raise the needle and select the BH 2,4 (), and sew five of the bartack stitches.
- ⑥ Raise the presser foot and draw out the fabric, cut both needle and bobbin threads leaving approximately 10 cm (4") of thread ends loose. Draw the needle thread to the wrong side of the fabric by pulling the bobbin thread. Then, knot the threads.
- ⑦ Place a pin on the rear side of the bartack position so that you don't need to worry about cutting the opening with your seam ripper.
 - ⑤ Seam ripper

• Corded buttonholes

1. With the buttonhole foot raised, hook the filler cord on the spur at the back of the buttonhole foot. Bring the ends toward you under the buttonhole foot, clearing the front end. Hook the filler cord into the forks on the front of the buttonhole foot to hold them tight. Lower the needle into the garment where the buttonhole will start and lower the foot.
2. Sew the buttonhole according to the buttonhole sewing instructions. Depress the foot control gently and sew the buttonhole the same as in normal buttonhole sewing.
3. Pull the left end of the filler cord to tighten it. Thread the end of the cord through a darning needle, draw it to the wrong side of the fabric and cut.

- ⑥ Spur
 ⑦ Spring holder



SECTION VI CARE OF YOUR MACHINE

Caution

Before performing any of the following, make sure that the sewing machine is unplugged from the power source.

- * Turn the handwheel towards you to raise the needle before cleaning.
- * Do not dismantle the machine other than explained on this page.
- * Do not store the machine in a high-humidity area, near a heat radiator or in direct sunlight.
- * Clean the outside of the machine with a soft cloth and neutral soap.

• Cleaning the hook race and feed dogs.

- 1 Remove the presser foot and needle. Remove screw on the left side of the needle plate with the screwdriver supplied with the machine. Remove the needle plate and take out the bobbin.
- 2 Lift up the bobbin holder and remove it.

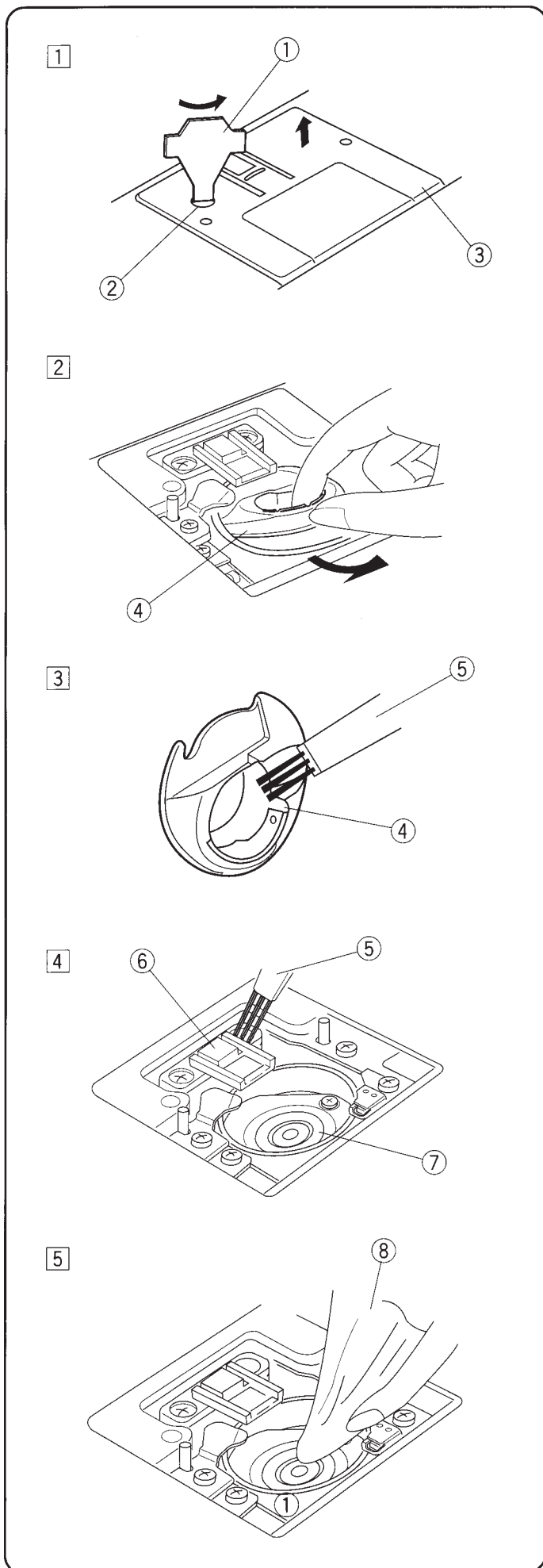
- 3 Brush out dust and lint.

- 4 Clean the feed dogs and hook race with a small brush.

- 5 Wipe out gently with a soft, dry cloth.

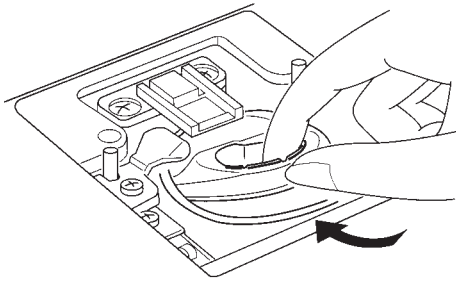
* You may also use a vacuum cleaner.

- ① Screwdriver
- ② Screw
- ③ Needle plate
- ④ Bobbin holder
- ⑤ Brush
- ⑥ Feed dogs
- ⑦ Hook race
- ⑧ Dry cloth



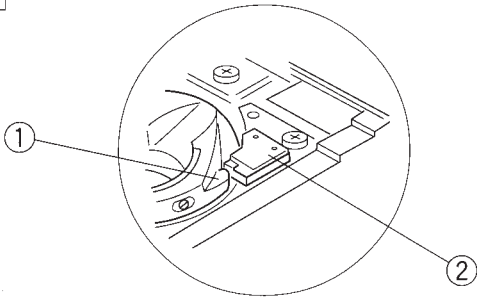
• **Replacing the bobbin holder**

1



1 Insert the bobbin holder so that the knob fits next to the stopper in the race.

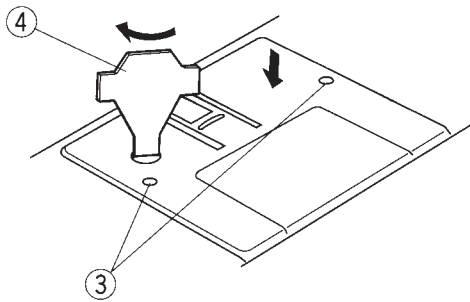
2



2 Insert the bobbin.

- ① Knob
- ② Stopper

3



3 Replace the needle plate, inserting the two needle plate guide pins into the holes in the needle plate. Replace the screw.

- ③ Guide holes
- ④ Screwdriver

TROUBLESHOOTING

Condition	Cause	Reference
The needle thread breaks.	<ol style="list-style-type: none"> 1. The needle thread is not threaded properly. 2. The needle thread tension is too tight. 3. The needle is bent or blunt. 4. The needle is incorrectly inserted. 5. The needle thread and the bobbin thread are not set properly under(drawn to the rear of) the presser foot when sewing is started. 6. The thread is too heavy or too fine for the needle. 	<p>Refer to page 11 Refer to page 16 Refer to page 6 Refer to page 6</p> <p>Refer to page 13,14 Refer to page 6</p>
The bobbin thread breaks.	<ol style="list-style-type: none"> 1. The bobbin thread is not threaded properly in the bobbin holder. 2. Lint has collected in the bobbin holder. 3. The bobbin is damaged and doesn't turn smoothly. 	<p>Refer to page 10 Refer to page 20 Change the bobbin.</p>
The needle breaks.	<ol style="list-style-type: none"> 1. The needle is incorrectly inserted. 2. The needle clamp screw is too loose. 3. The pattern selector dial has been turned while the needle was in the material. 4. The needle is too fine for the fabric being sewn. 	<p>Refer to page 6 Refer to page 6</p> <p>Refer to page 7 Refer to page 6</p>
Skipped stitches	<ol style="list-style-type: none"> 1. The needle is incorrectly inserted. 2. The needle is bent or blunt. 3. The needle and /or threads are not suitable for the work being sewn. 4. A blue tip needle is not being used for sewing stretch, very fine fabrics or synthetics. 5. The needle thread is not threaded properly. 	<p>Refer to page 6. Refer to page 6</p> <p>Refer to page 6</p> <p>Refer to page 6 Refer to page 11</p>
Seam puckering	<ol style="list-style-type: none"> 1. The needle thread tension is too tight. 2. The needle thread is not threaded properly. 3. The needle thread is too heavy for the fabric being sewn. 	<p>Refer to page 16 Refer to page 11 Refer to page 6</p>
Machine doesn't run	<ol style="list-style-type: none"> 1. The machine plug is not connected properly. 2. Lint has built up in the bobbin holder or hook race. 3. The bobbin winder spindle is not placed at original position or the handwheel is set at the bobbin winding position (clutch is disengaged). 	<p>Refer to page 5 Refer to page 20</p> <p>Refer to page 9</p>

