



Preparation Updating your MC 15000

MC15000 must be updated to version 2.1 or later. The version number is displayed on the initial screen ① when the machine is turned on.

Visit the JANOME website (http://www.janome.co.jp/e/e_downloads/machine.html) to update your machine. Please refer to the update instructions.

NOTE:

When updating to version 2.1 or later from version 2.0 or earlier, it is necessary to delete stored data for all favorite design settings. If stored data is not deleted, problems with sewing may occur after the update is carried out. Please refer to the update instructions.

Creating EMB/Embf folder

1. In order to download the embroidery couching designs, prepare a USB flash drive.
2. Insert the USB flash drive into your MC15000 and turn on the machine.
3. When the initial screen is displayed, turn off the machine and remove the USB flash drive from the machine. An embroidery folder "EMB/Embf" will be created automatically.

NOTE:

Do not turn off the machine when the warning mark is displayed (Warning mark: ⚠).

4. Insert the USB flash drive into the PC.

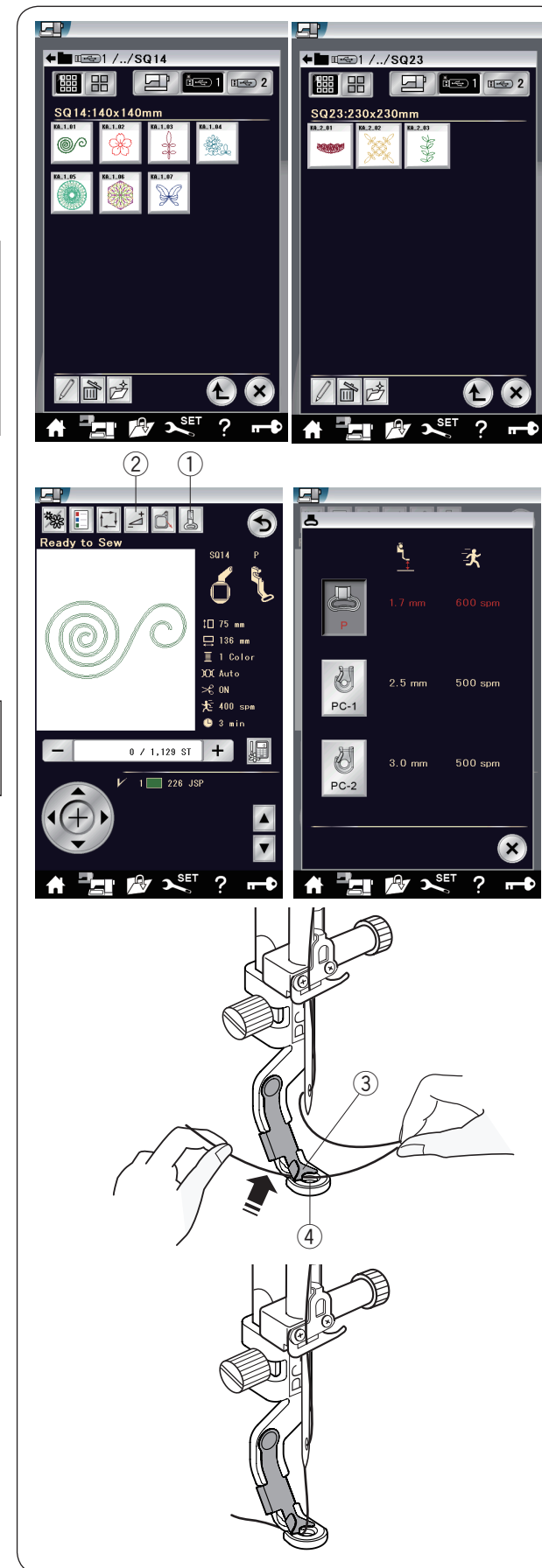
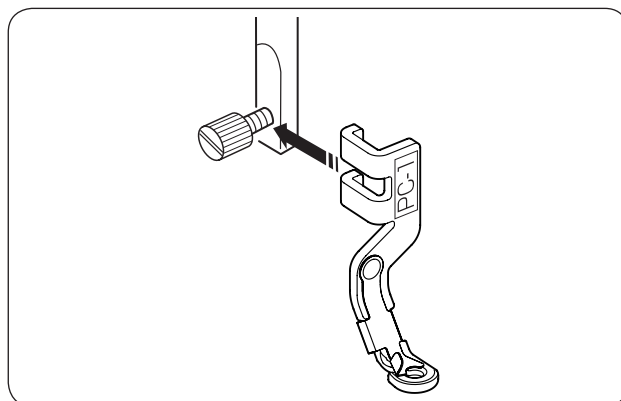
Download the embroidery couching designs

1. Visit the JANOME website (http://www.janome.co.jp/e/e_downloads/emb_couching.html).
2. Press the download button to download the embroidery couching designs.
3. Unpack the Zip file and save the folder named "Embroidery Couching" in the "EMB" folder on the USB flash drive (Click the button "Click here to see how to unpack the zip file" to see the instructions.).
4. Insert the USB flash drive into your MC15000 and open the embroidery design files.

Attaching the couching foot PC-1 or PC-2

Attach the couching foot PC-1 or PC-2 to the presser bar from front.

Tighten the thumbscrew firmly with the screwdriver.



Couching Designs

Enjoy embellishing your work with yarns. Use the couching foot PC-1 or PC-2 for the couching designs.

For weight 3 yarn (light), use the couching foot PC-1. For weight 4 yarn (medium) use the couching foot PC-2.

NOTE:

- Use the weight 3 yarn (light) or weight 4 yarn (medium) for the couching design project.
- If the yarn is too thick or fluffy, or the design is too bulky, press the adjust key ② and increase the presser foot height, otherwise the couching foot may be trapped and to break.
- Do not sew on a hard string.
- Test sew to check the sewing results.
- Do not use the single color sewing key for the couching designs.
- Use the same color thread for the bobbin and the needle thread as the yarns for the best result.

Select one of the couching design.

In the ready to sew window, press the embroidery foot key ①.

Select the couching foot PC-1 for the weight 3 yarn (light).

Select the couching foot PC-2 for the weight 4 yarn (medium).

The presser foot height and sewing speed will be automatically adjusted to suite the selected couching design sewing.

If the yarn layers become too thick, press the adjust key ② and adjust the presser foot manually.

CAUTION:

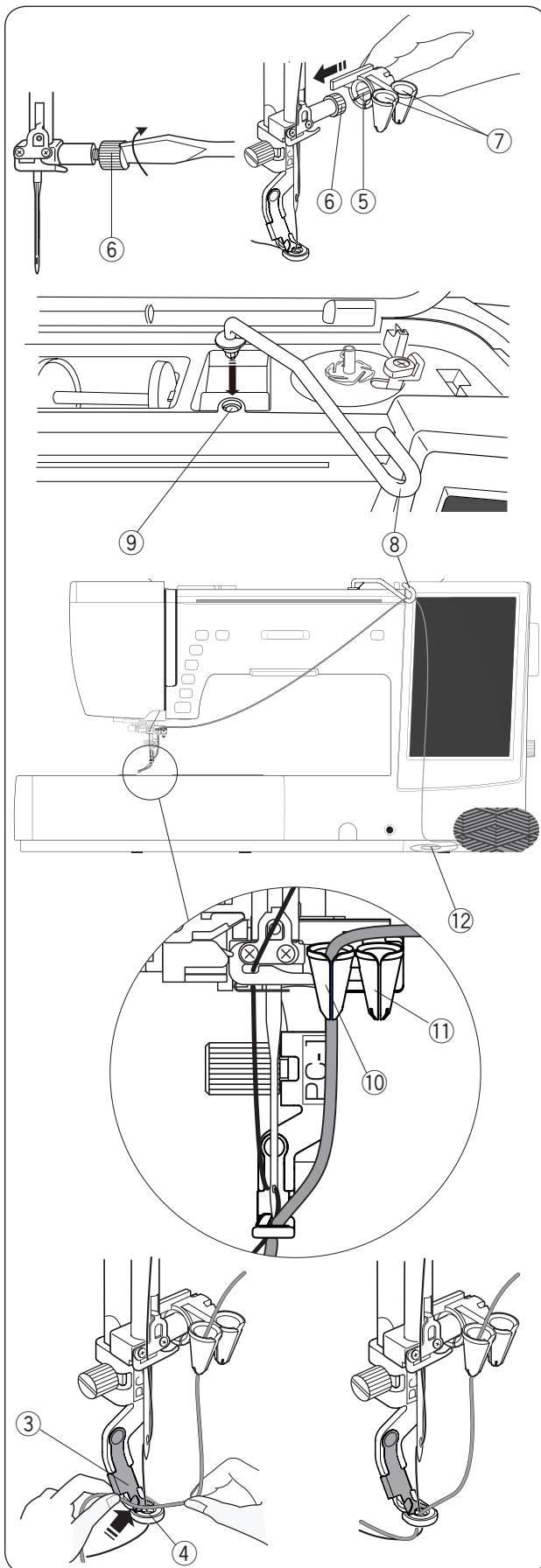
Press the lockout key to lock the machine when attaching/removing the presser foot, yarn guide, and threading the threads and yarns to the machine.

Turn the handwheel toward you.

Be sure that the needle through the center of the couching foot.

Hold the thread with both of your hands. Slide the thread under the plate, and slip it into the presser foot hole.

- ③ Plate
- ④ Presser foot hole



Retighten the needle clamp screw firmly with the screwdriver.
Slide the yarn guide ⑤ onto the needle clamp screw ⑥ firmly with the mouths ⑦ of the yarn guides up as shown.

- ⑤ Yarn guide
- ⑥ Needle clamp screw
- ⑦ Mouths

NOTE:

Be careful not to turn the needle clamp screw when sliding the yarn guide onto the needle clamp screw.

Insert the yarn guide bar ⑧ into the hole for the additional spool pin ⑨.
Turn the yarn guide to the right until it stops.

- ⑧ Yarn guide bar
- ⑨ Hole for the additional spool pin

Pass the yarn through the yarn guide bar.

Thread the yarn by passing it through the slit on the mouth.

Thread the yarn through the left mouth for the couching foot PC-1 ⑩.

Thread the yarn through the right mouth for the couching foot PC-2 ⑪.

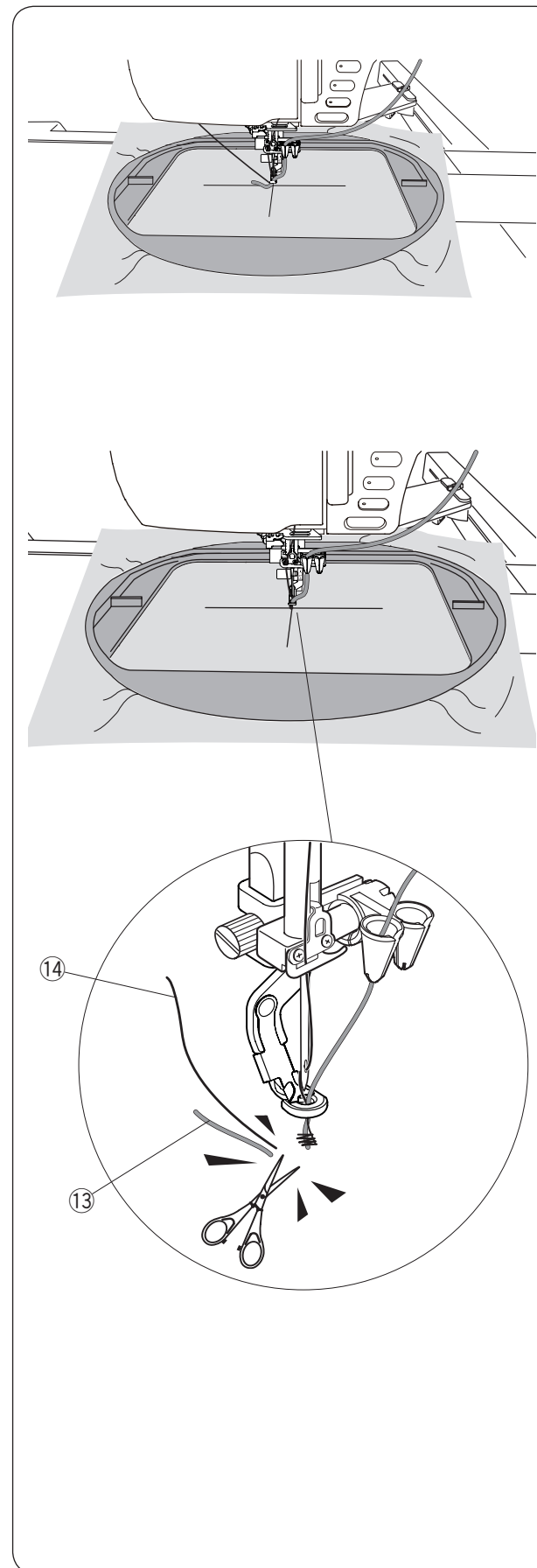
- ⑩ Mouth for couching foot PC-1
- ⑪ Mouth for couching foot PC-2

Unwind the ball of yarn ⑫ and splay out the yarn on a sewing table to ensure smooth feeding without tangling.

Hold the yarn with both of your hands.
Slide the yarn under the plate, and slip it into the presser foot hole.

Draw the yarn and needle thread to the rear.

- ③ Plate
- ④ Foot hole



To sew:

NOTE:

The knots may appear at some points of a ball of yarn.
Be careful not to feed the knot of yarn into the mouth of the yarn guide while sewing.

Set the fabric to the hoop.
Attach the hoop to the carriage.

Press the start/stop button and sew 5 to 6 stitches.
Press the start/stop button again to stop the machine.

Cut the loose yarn ⑬ and thread ⑭ to the beginning of the starting point.

Press the start/stop button to start sewing again.

- ⑬ Loose yarn
- ⑭ Loose thread

The machine will stop (and trim the threads if the auto thread cutting is activated) automatically when the first color section is finished.

Change the thread to the next color and yarn.
Sew the next section.

NOTE:

Remove the couching foot when finished couching design. The needle may strike the couching foot when switching the ordinary sewing mode.

NOTE:

When you combine couching designs, it is necessary to stop the machine and trim the excess yarn after the yarn jumps to the next couching design.