



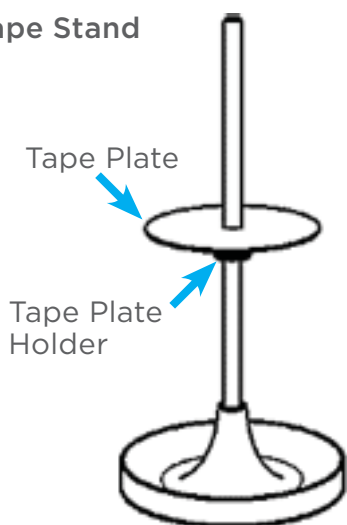
New Tape Binder and Binder Foot with Guide and Tape Stand...continued.

Tape Stand

The Tape Stand holds your roll of tape at a set height. Since the tape is supplied at the same height to the tape guide of the binder set (③ in photo below), it feeds smoothly even with very soft fabric allowing beautiful finishes to be achieved.

Using the Tape Stand together with the binder set is recommended for best results.

Tape Stand



The height of the tape plate holder can be adjusted according to your preference.

By aligning the height with the tape guide, you can supply tape without it sagging.



Supply the tape at the same height as the binder

The Role of Winding Rods

Wrap the tape to be used for the binder in advance around a winding rod made of paper, and pass the shaft of the tape stand through the hole in the paper rod.

Tape can be supplied smoothly by the rotation of the winding rod.

For convenience, it is suggested to prepare paper winding rods for your fabric in advance.

