

200E Clothsetter Instruction

Use the clothsetter to join multiple designs.

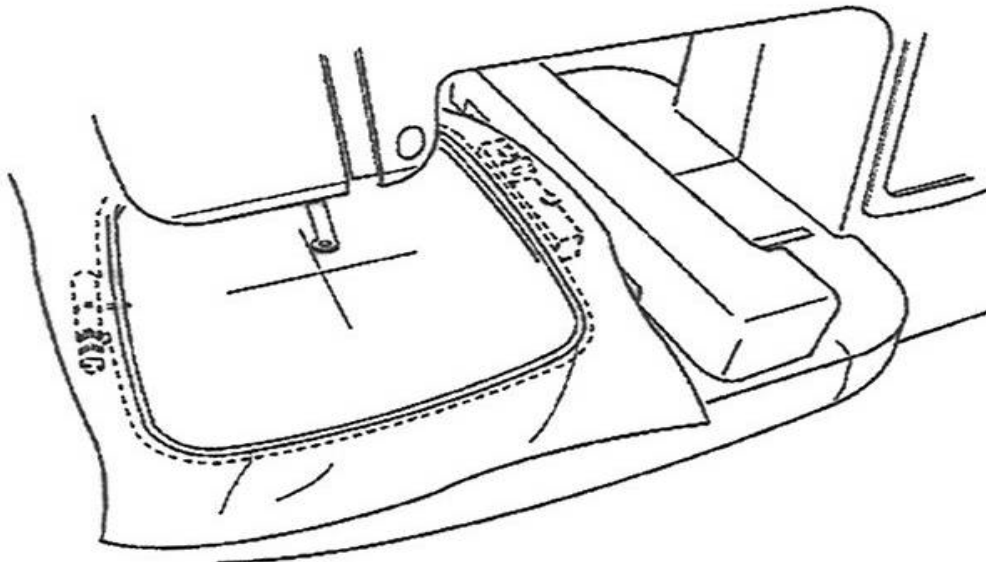
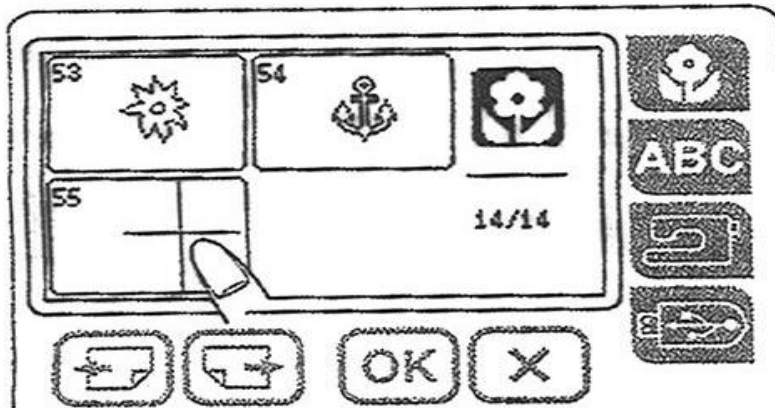
Adjust the clothsetter position before using it.

How to Adjust the Clothsetter Position

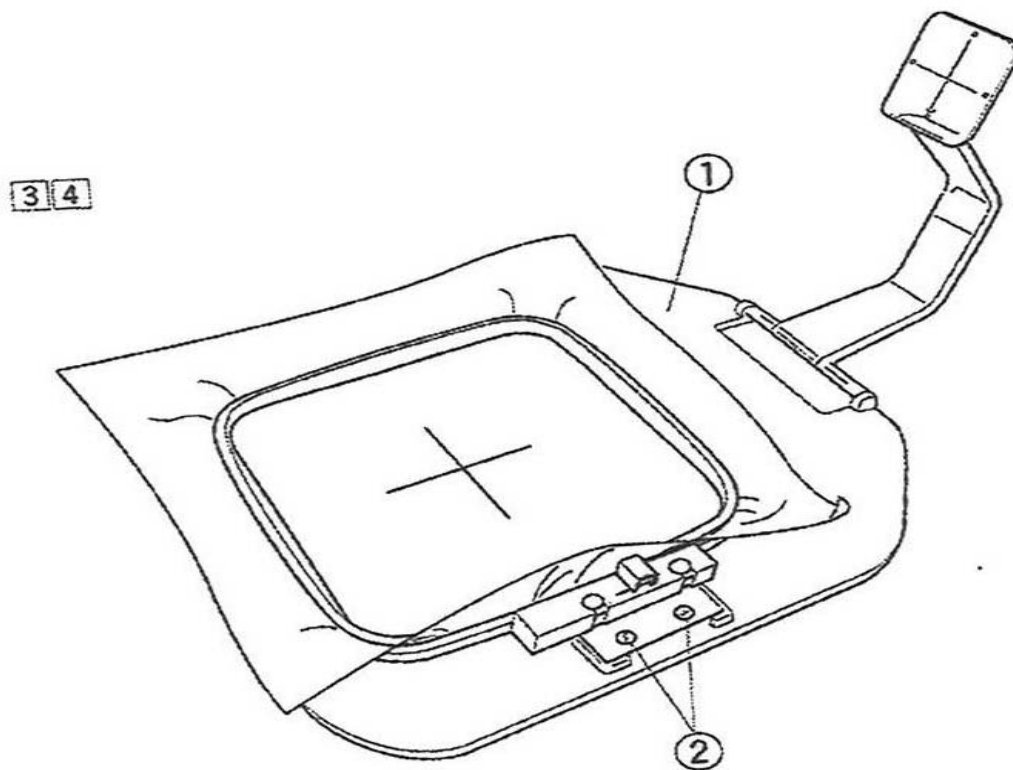
1. Select the built in design # 55 (a cross mark) for adjusting the clothsetter position.
2. Hoop a piece of fabric with stabilizer and set the hoop into the carriage. Then sew design #55.

*** Do not use a piece of fabric like stretch knit.**

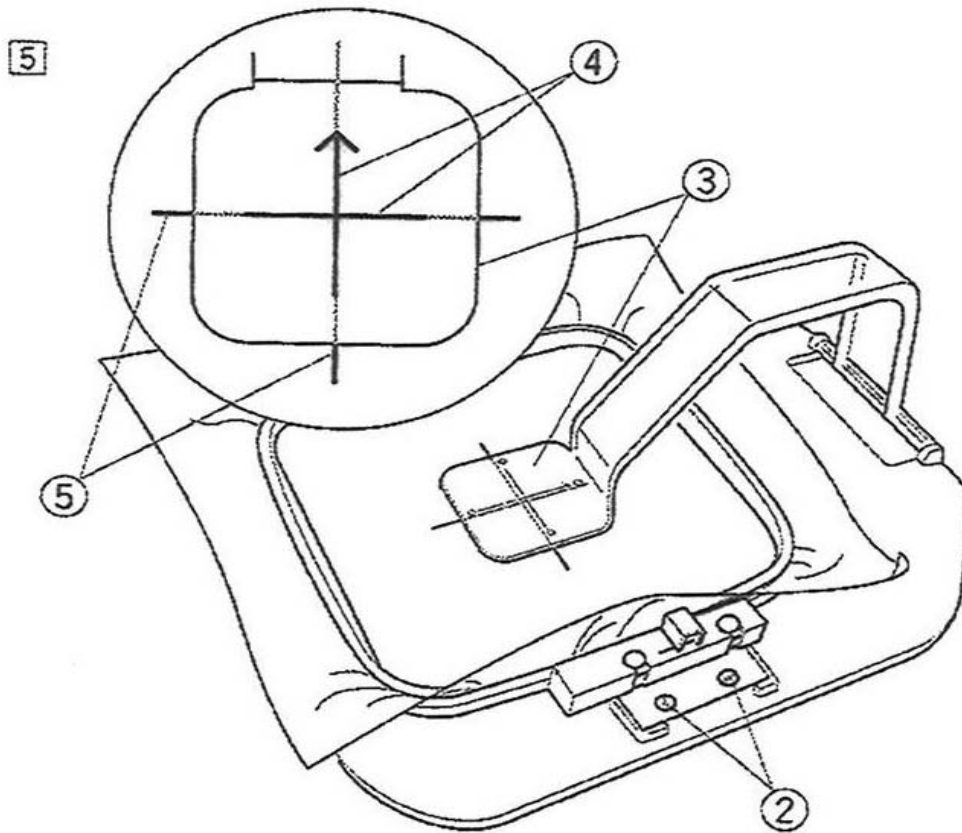
1 2



3. Remove the hoop from the carriage (do not remove the fabric from the hoop) and set the hoop onto the clothsetter.
1 Clothsetter (see picture)
4. Loosen the setscrews on the clothsetter
2 Setscrews (see picture)



5. Swing down the positioning arm on the fabric and match the center lines on the arm and the cross mark (design #55 sewn in Step 1) on the fabric. Then tighten the two setscrews.
 3. Positioning arm
 4. Centerlines (on the positioning arm)
 5. Cross mark (Design 355)
 - * After tightening the setscrews, check the centerlines and cross mark to make sure that the mach up exactly.
 - * Once adjusted, you may not need to adjust the clothsetter position again except when the setscrews get loose.

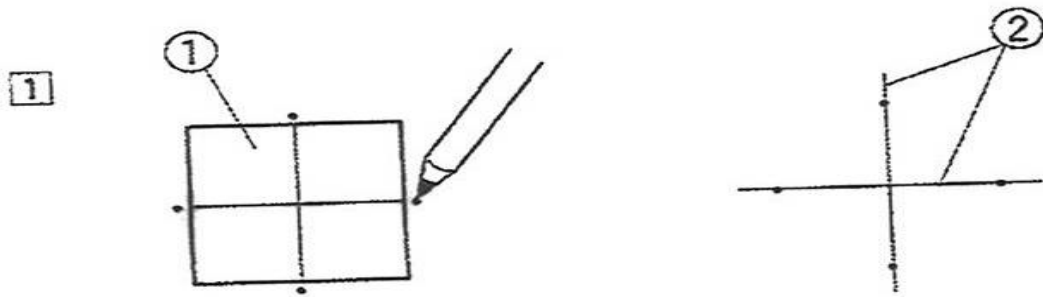


Joining the Designs together (Design # 38)

1. Put the built-in design # 38 template on the fabric and mark the 4 dots as illustrated below.

Then draw the centerlines on the fabric.

1. Built in design template
2. Baselines

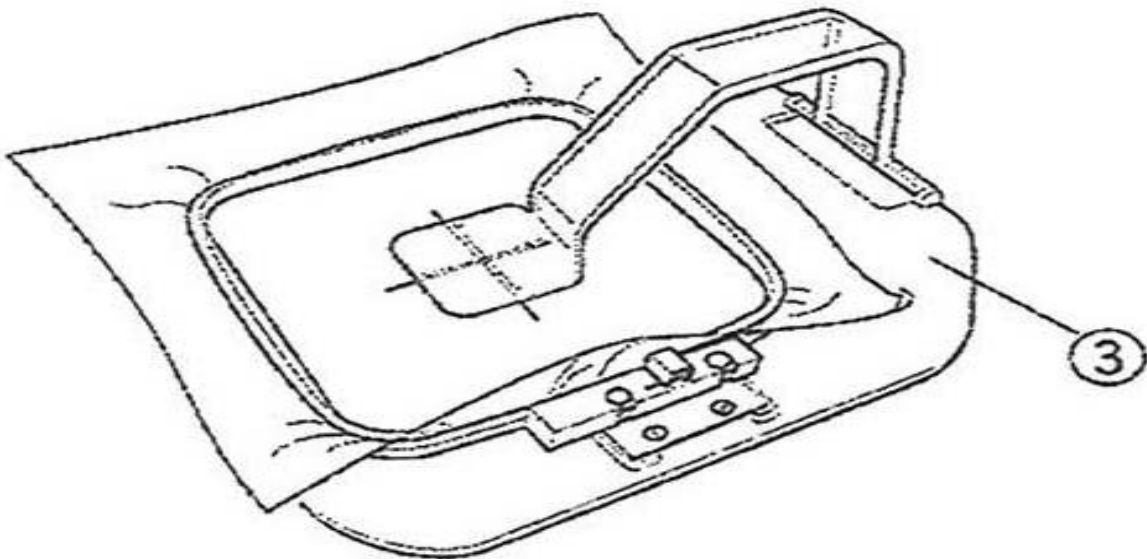


2. Set the outer hoop on the clothsetter.
Place the fabric and inner hoop on the outer hoop.
Swing down the positioning arm and adjust the fabric position so the centerlines match exactly.

Push the fabric and the inner hoop into the outer hoop.

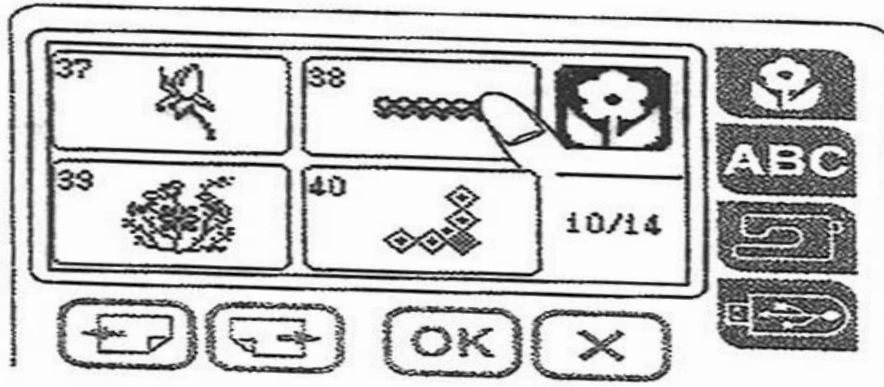
Tighten the hoop tightening screw.

3. Clothsetter



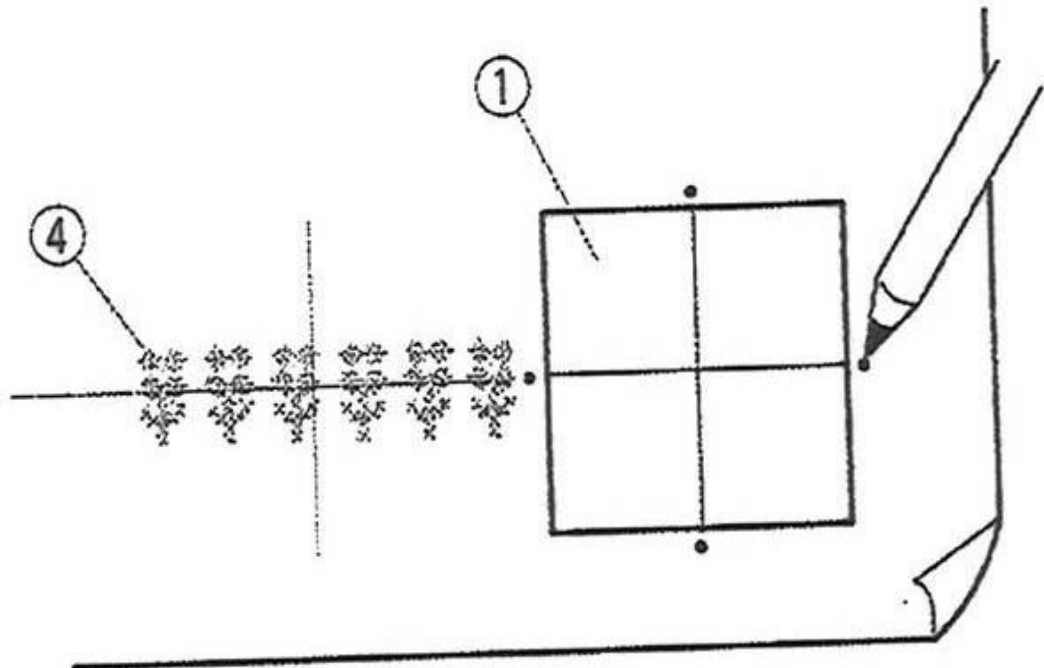
3. Remove the hoop from the clothsetter and set the hoop on the machine.
4. Select design #38 and start sewing.

3 4



5. After sewing, remove the fabric from the hoop and draw the centerlines of the next design on the fabric. (Design #38 is used again in the example.)
4. Design # 38 sewn on fabric

5



6. Join the designs by repeating Steps 2-5

6

