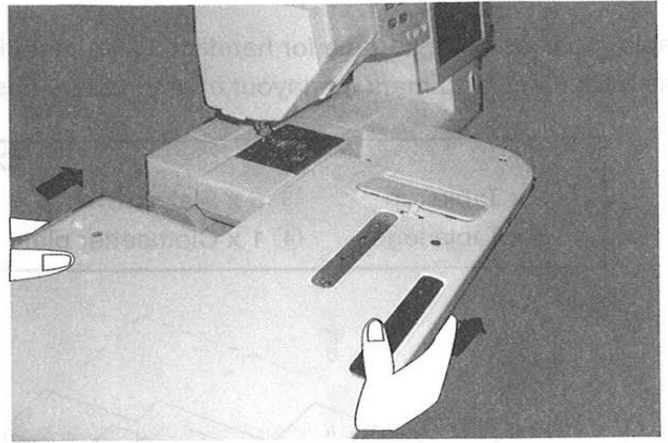
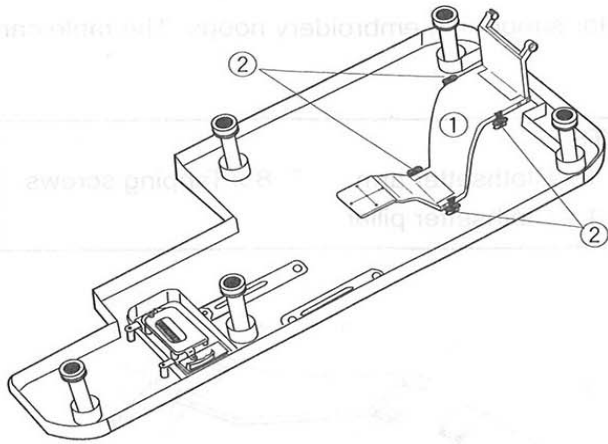
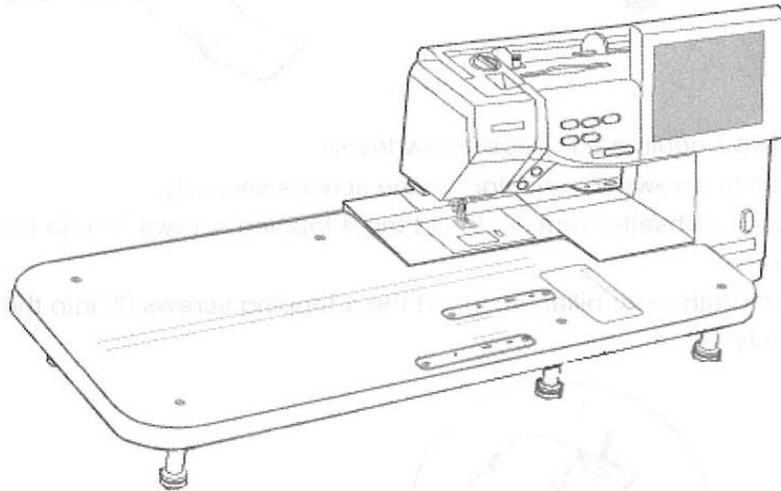


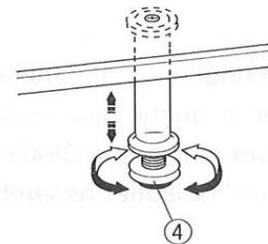
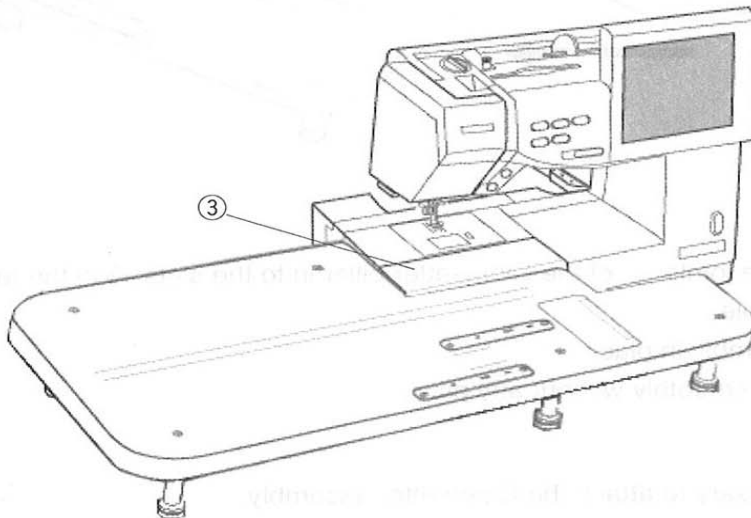
## Setting the Clothsetter Table to the Sewing Machine



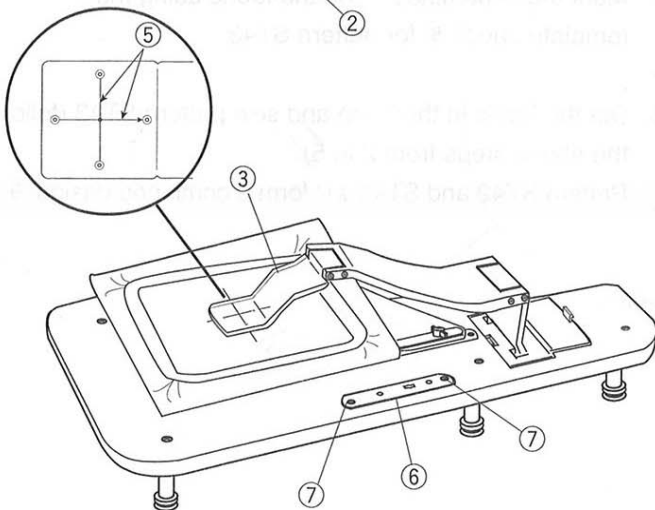
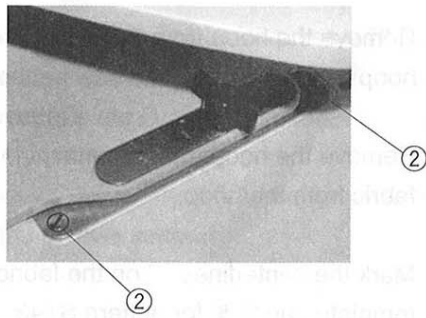
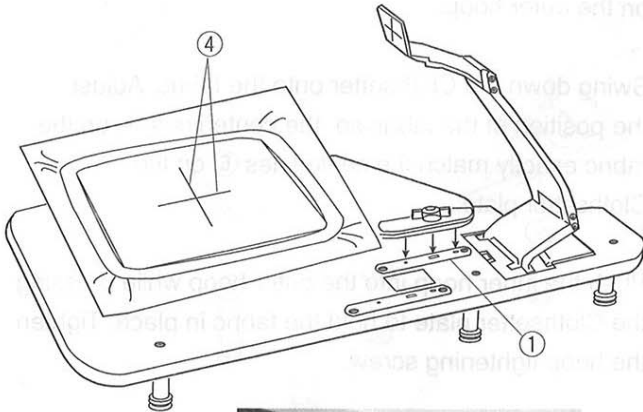
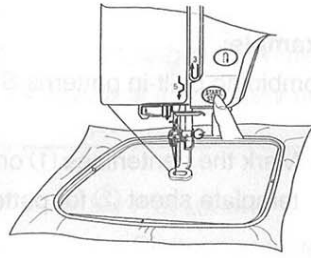
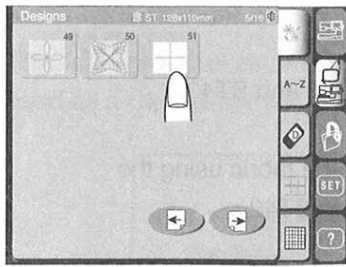
1. The Clothsetter assembly can be stored on the underside of the table. Turn the table upside down and place the Clothsetter arm ① between the catch springs ② as shown. Push the Clothsetter arm down to hold it in place.
2. Set the Clothsetter table next to the machine by sliding it into place from the left.



3. For ordinary sewing, remove the extension table of the machine before setting the Clothsetter table.



4. For embroidery, set the Clothsetter table next to the machine with the extension table ③ attached.
5. If the table is wobbly, adjust the table legs by turning the foot ④ as shown.



## Calibrating the Clothsetter

You need to adjust the position of the setting plate in order to align the center of the embroidery position of the Clothsetter with your machine.

This adjustment is only necessary for the first time.

### For the Hoop-ST/SQ

1. Set a piece of fabric in the Hoop-ST or Hoop-SQ. Attach the hoop to your machine and sew the calibration pattern ST51.
2. Remove the hoop from the machine, but do not remove the fabric from the hoop.
3. Attach the hoop to the setting plate ① for the Hoop-ST and Hoop-SQ. Loosen the 2 setscrews ② on the setting plate.
4. Swing down the Clothsetter ③ onto the fabric. Adjust the hoop position so that the stitched pattern ④ exactly matches the centerlines ⑤ on the Clothsetter plate. Tighten the screws securely.

### NOTE:

Calibration with the Hoop-MA is not necessary as it has the same center position as that of the Hoop-ST/SQ.

### For the free-arm Hoop-FA

1. Set a piece of fabric in the Hoop-FA. Attach the hoop to your machine and sew the calibration pattern FA31.
2. Remove the hoop from the machine, but do not remove the fabric from the hoop.
3. Attach the hoop to the setting plate ⑥ for the HOOP-FA. Loosen the 2 setscrews ⑦ on the setting plate.
4. Swing down the clothsetter plate onto the fabric. Adjust the hoop position so that the stitched pattern exactly matches the centerlines on the Clothsetter plate. Tighten the screws securely.

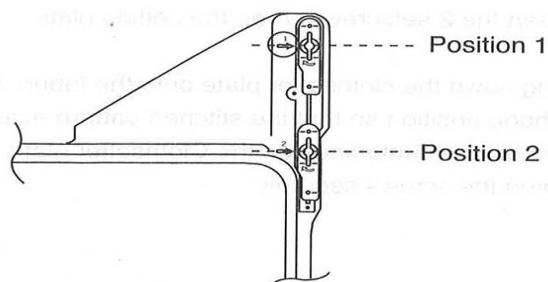
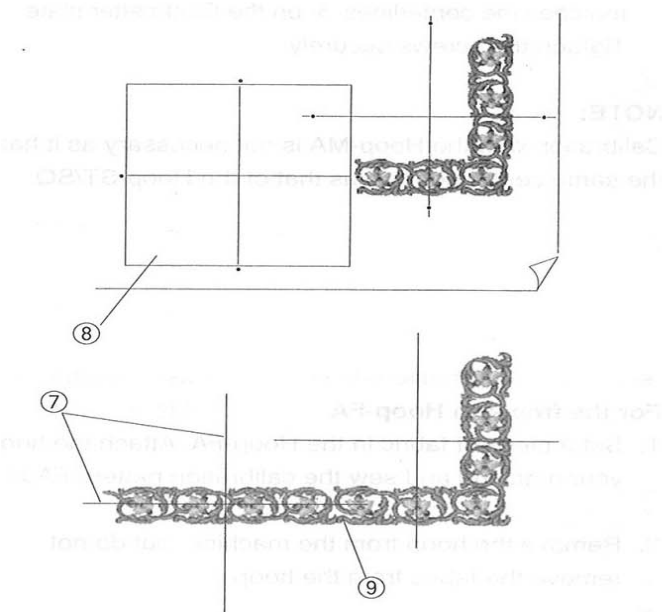
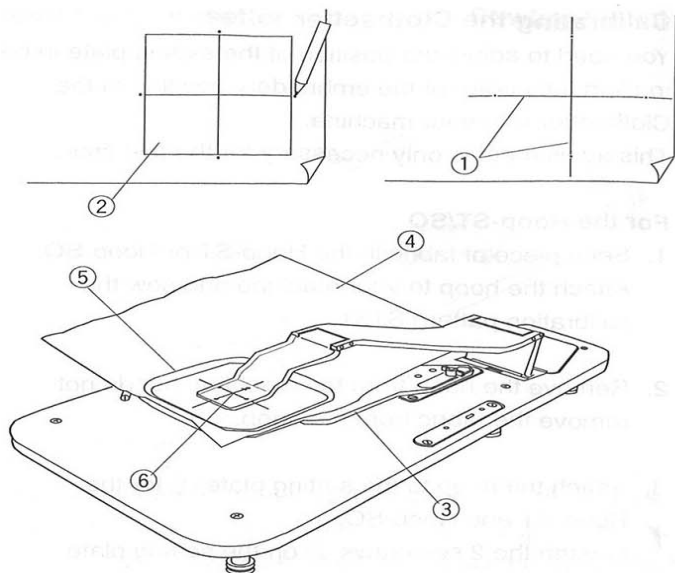
## MC11000 and MC11000Special Edition

### How to Use the Clothsetter

#### Example:

Combining built-in patterns ST42 and ST43.

1. Mark the centerlines ① on the fabric using the template sheet ② for pattern ST42.
2. Attach the outer hoop ③ of the Hoop-ST to the Clothsetter table. Place the fabric ④ and inner hoop ⑤ on the outer hoop.
3. Swing down the Clothsetter onto the fabric. Adjust the position of the fabric so the centerlines ① on the fabric exactly match the centerlines ⑥ on the Clothsetter plate.
4. Push the inner hoop into the outer hoop while pressing the Clothsetter plate to hold the fabric in place. Tighten the hoop tightening screw.
5. Remove the hoop from the clothsetter table. Attach the hoop to the machine and sew pattern ST42.
6. Remove the hoop from the machine and remove the fabric from the hoop.
7. Mark the centerlines ⑦ on the fabric using the template sheet ⑧ for pattern ST43.
8. Set the fabric in the hoop and sew pattern ST43 (follow the above steps from 2 to 5).  
Pattern ST42 and ST43 will form a combined design ⑨.



#### NOTE:

When setting the Hoop-MA to the clothsetter, be sure to fix it at position 1, not at position 2.